

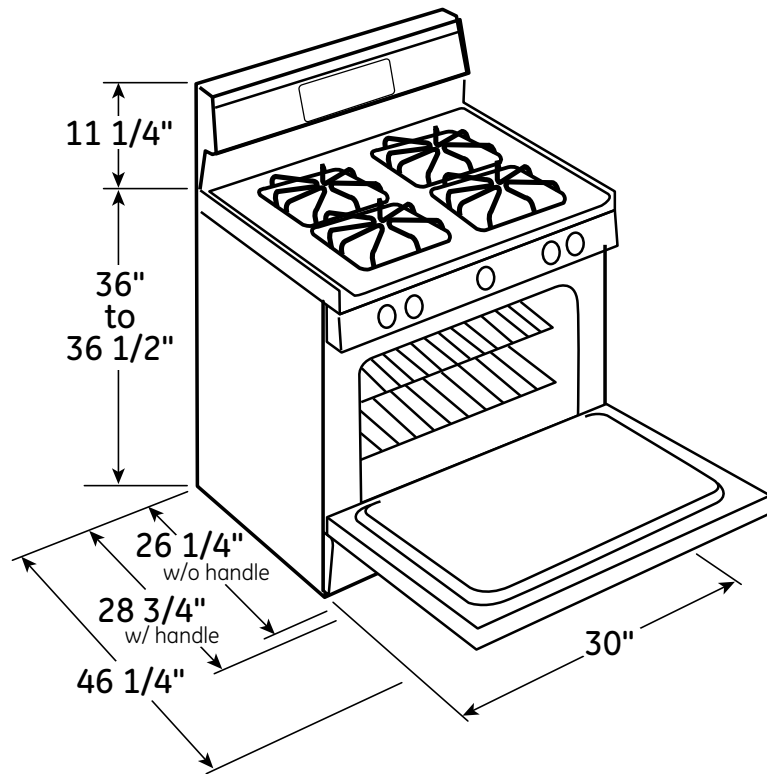
JGBS65REF

GE® Series 30" Free-Standing Gas Range

DIMENSIONS AND INSTALLATION INFORMATION (IN INCHES)

ELECTRICAL RATING: 120V, 60Hz, 15A

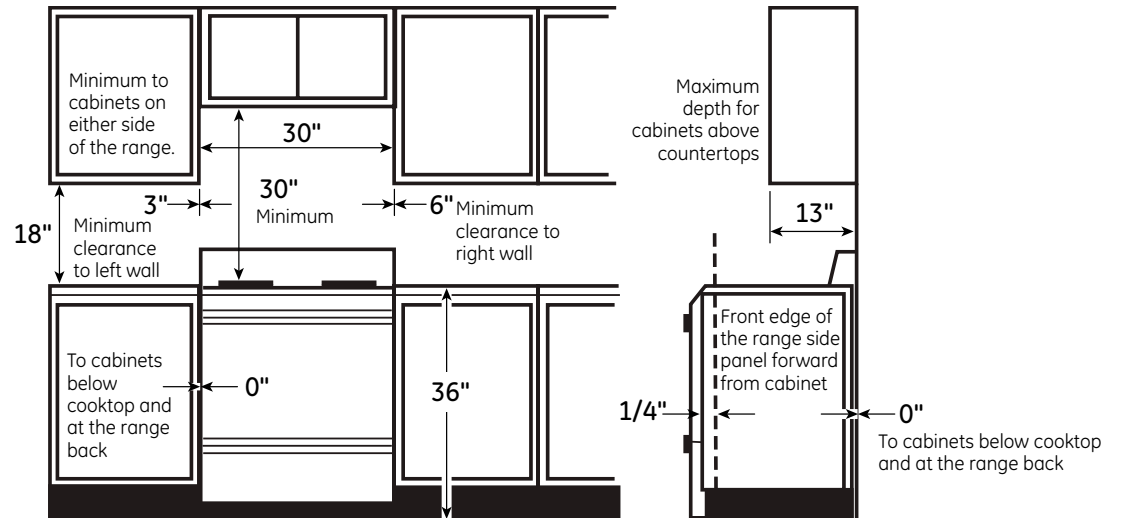
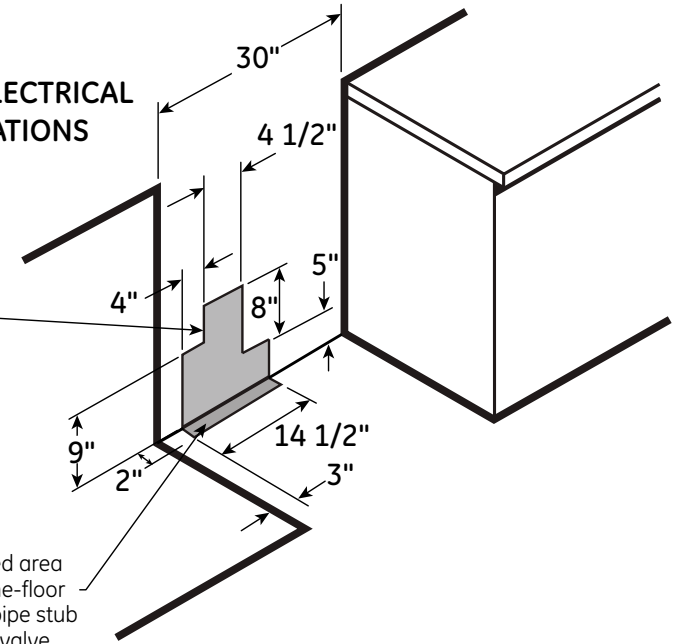
INSTALLATION INFORMATION: Before installing, consult installation instructions packed with product for current dimensional data.



GAS PIPE AND ELECTRICAL OUTLET LOCATIONS

Recommended area for 120V outlet on rear wall and area for through-the-wall connection of pipe stub and shut-off valve.

Recommended area for through-the-floor connection of pipe stub and shut-off valve.



GE APPLIANCES

For answers to your Monogram®, GE Profile™ or GE® appliance questions, visit our website at geappliances.com or call GE Answer Center® service, 800.626.2000.



All GE ranges are equipped with an Anti-Tip device. The installation of this device is an important, required step in the installation of the range.



Specification Revised 7/15

JGBS65REF

GE® Series 30" Free-Standing Gas Range

FEATURES AND BENEFITS

17,000 BTU Power Boil Burner – Delivers high heat for fast boiling

Center Oval Burner – Large oval fifth burner is ideal for griddle or odd-size cookware

Precise Simmer Burner - Delicate foods don't burn with low, even heat

Heavy-Cast, Continuous Grates – Allow for easy movement of pans between burners

Non-Stick Griddle – Large non-stick surface perfect for griddle cooking

Deep-Recessed Cooktop – Contains spills for quick and easy cleaning

Sealed Cooktop Burners – Contains spills and make cleaning quick and easy

Standard Clean Oven – Smooth surface and rounded corners make clean-up quick and easy

5.0 cu. ft. capacity – Enough room to cook an entire meal at once

Model JGBS65REFSS – Stainless steel



GE APPLIANCES