

# Assembly Instructions

# Outdoor Cooking Center

JGGN24, JGGR24

Questions? Call 866.GE.GRILL (866.434.7455) or Visit our Website at: [www.GEAppliances.com](http://www.GEAppliances.com)

## BEFORE YOU BEGIN

Read these instructions completely and carefully.

- **IMPORTANT** – Observe all governing codes and ordinances.
- **Note to Assembler** – Be sure to leave these instructions with the Consumer.
- **Note to Consumer** – Keep these instructions for future reference.
- **Skill level** – Assembly of this grill requires basic mechanical skills.
- Proper assembly is the responsibility of the assembler.
- Product failure due to improper assembly is not covered under the Warranty.
- If you received a damaged grill, you should contact your dealer.
- **Note** – Grill must be completely assembled before any gas connections are made.

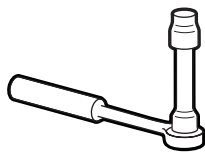
## TOOLS YOU WILL NEED



Phillips screwdriver

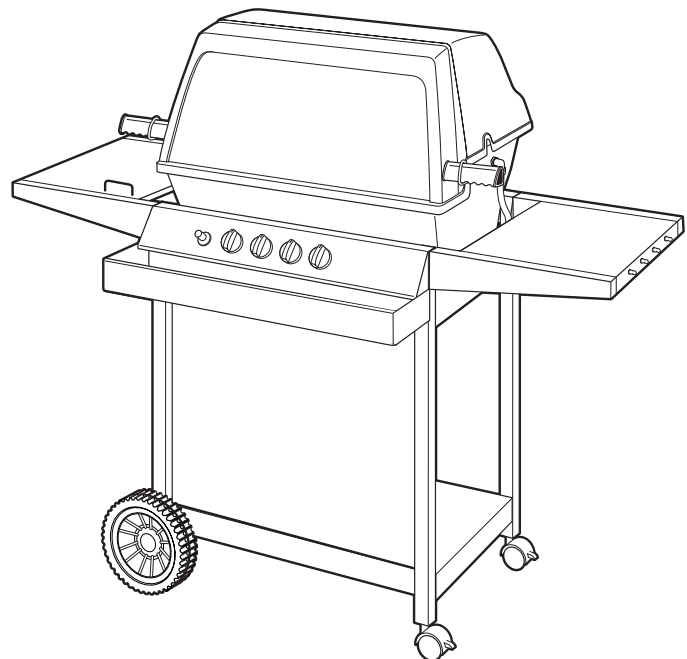


7/16" open end wrench or deep socket with extension



Rubber mallet (optional)

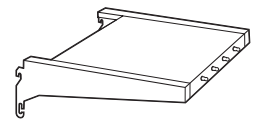
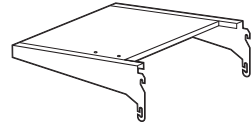
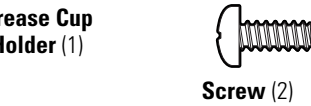
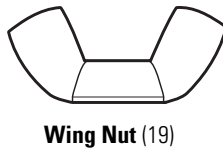
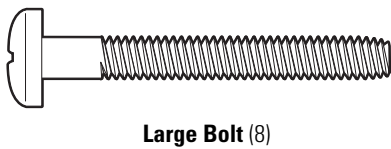
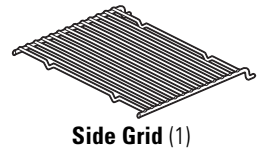
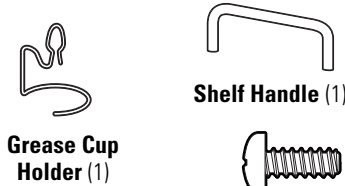
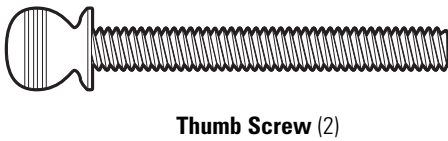
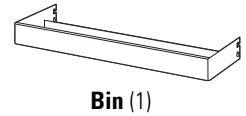
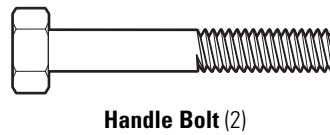
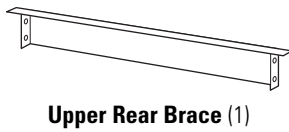
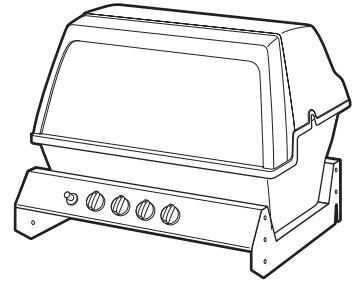
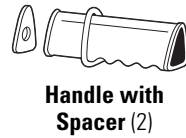
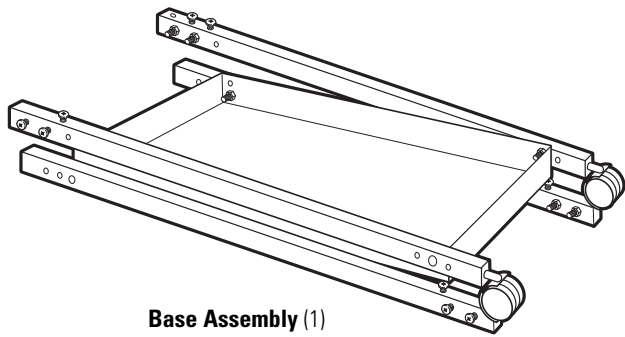
Block of wood or cardboard (optional)



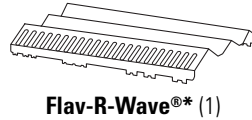
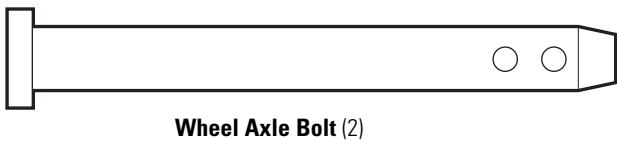
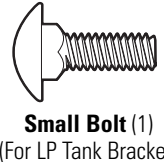
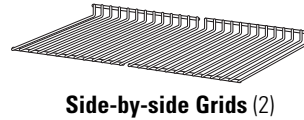
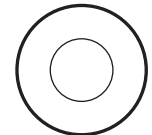
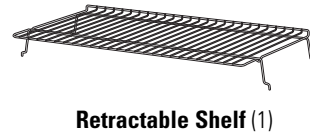
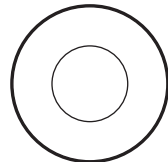
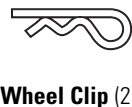
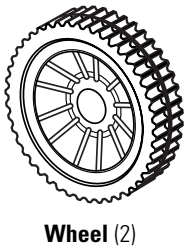
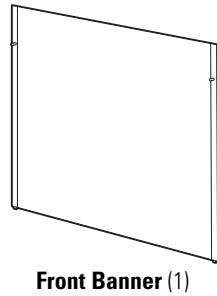
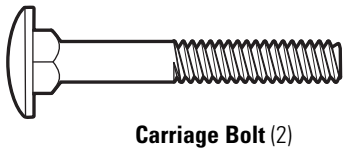
**READ CAREFULLY.  
KEEP THESE INSTRUCTIONS.**

# Assembly Instructions

## PARTS INCLUDED (Not all models have all parts)



or  
(Depending on model)



\*Flav-R-Wave® is a registered trademark of Onward Multi-Corp, Inc.

# Assembly Instructions

## NOTE TO ASSEMBLER

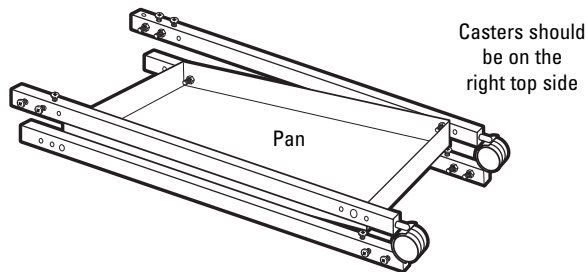
To aid assembly, all parts in bold type in the following assembly steps match the illustrations shown in the **PARTS INCLUDED** section.

### 1 UNPACK THE GRILL

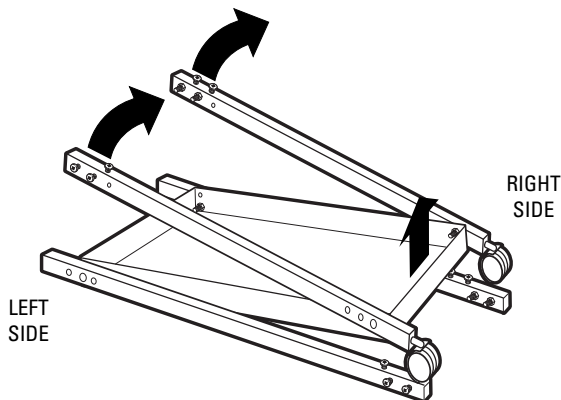
- Carefully cut open the box, remove the contents and group like parts together.

### 2 UNFOLD THE BASE ASSEMBLY

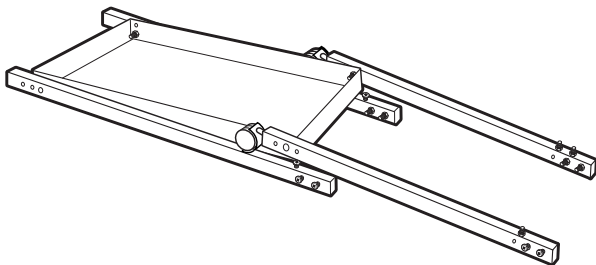
1. Make sure the open side of the pan in the **base assembly** is facing up.



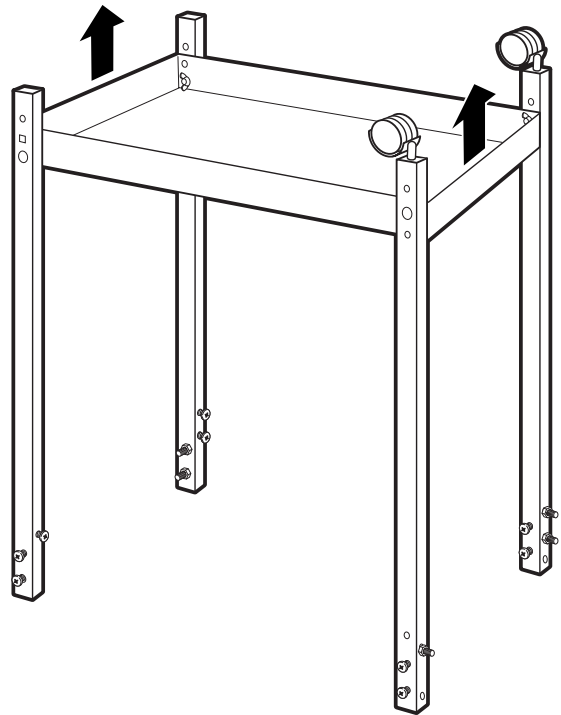
2. Lift up on the right side of the pan.



3. Lift the left ends of the legs and swing them over the wheels to lay flat on the floor.

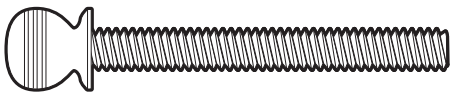


4. Grasp the pan on both sides and raise it up until the legs are standing squarely on the floor.



# Assembly Instructions

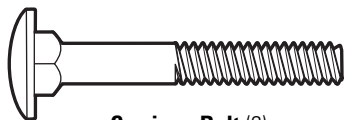
## 3 ASSEMBLE THE LOWER BASE



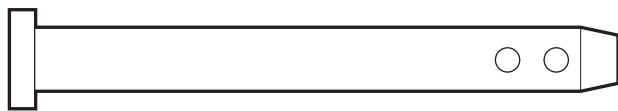
Thumb Screw (2)



Wing Nut (4)



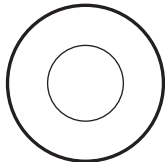
Carriage Bolt (2)



Wheel Axle Bolt (2)

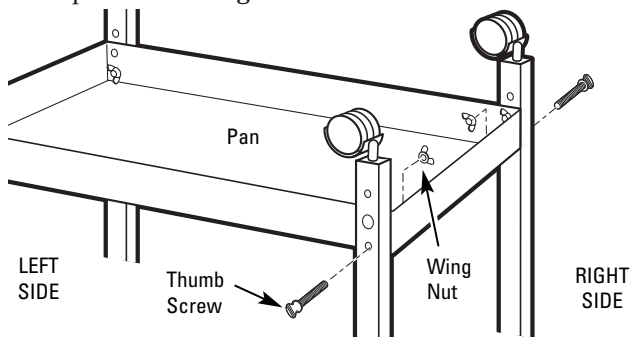


Wheel Clip (2)

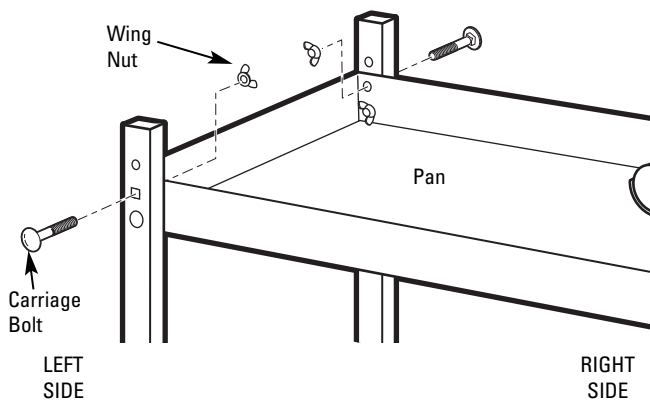


Large Wheel Washer (2)

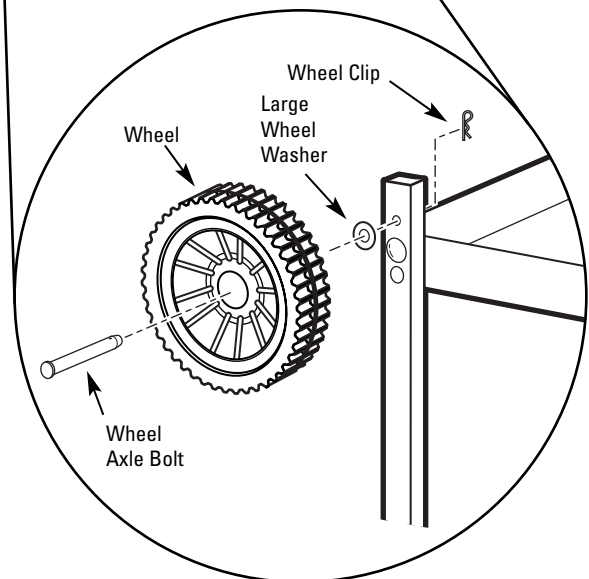
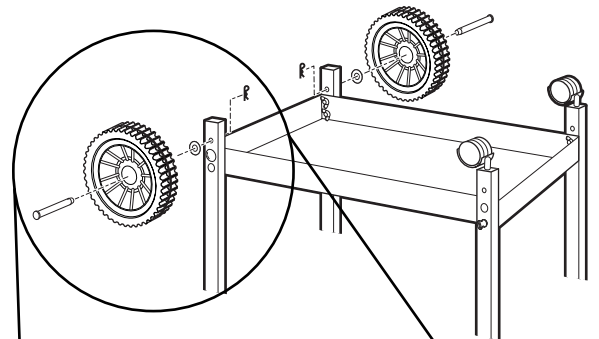
1. Thread a **thumb screw** into each of the lower holes on the right side and through the pan. Secure them in place with **wing nuts**.



2. Insert a **carriage bolt** into each of the center holes on the left side and through the pan. Secure them in place with **wing nuts**.

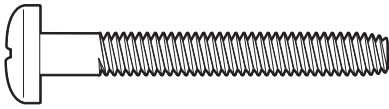


3. Slide a **wheel axle bolt** through a **wheel**, **large wheel washer**, and through the top hole on the left leg. Secure the wheel in place by sliding a **wheel clip** through the hole in the wheel axle bolt. Repeat for the other leg.



# Assembly Instructions

## 4 ASSEMBLE BASE TO GRILL BODY

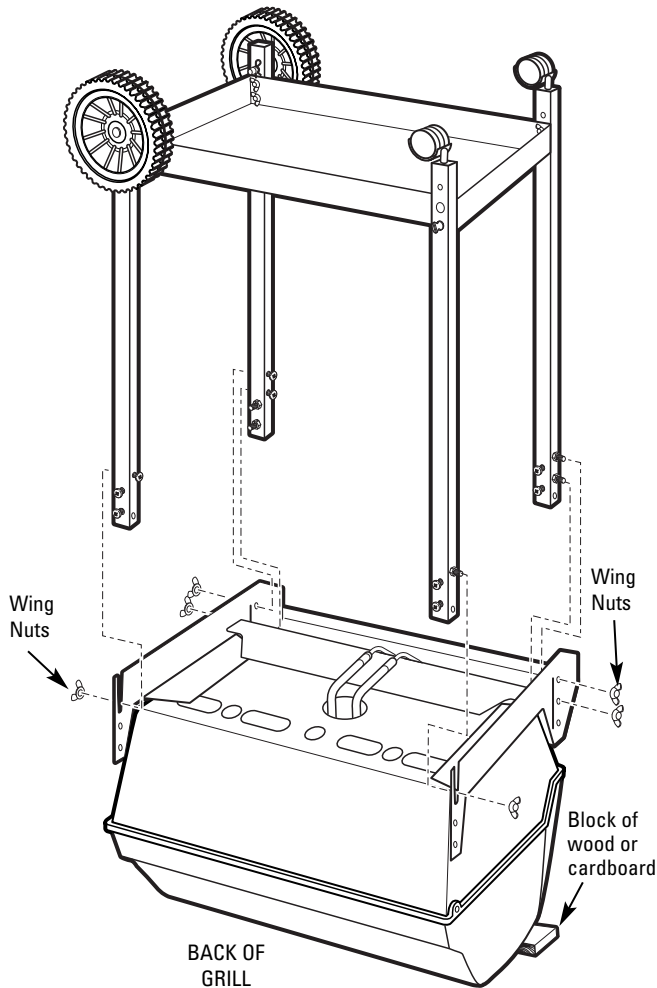


Large Bolt (6)

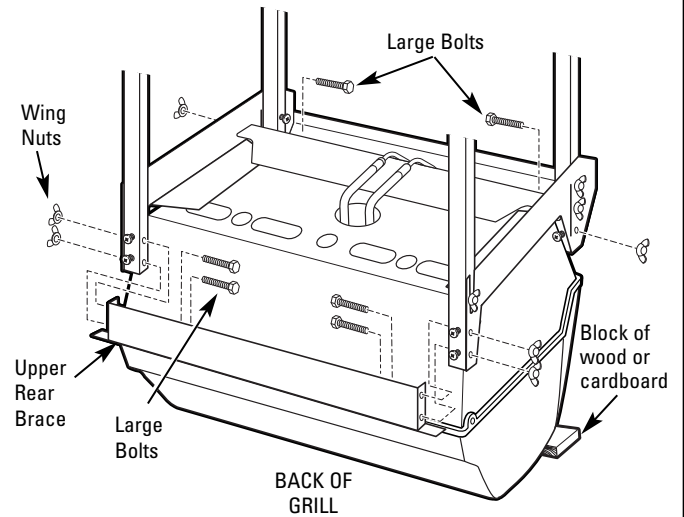


Wing Nut (10)

1. Turn the grill body upside-down and wedge cardboard or a block of wood under the front side to prevent tipping during assembly.
2. Slide the bolt on each of the back legs into the slots on the back ends of the grill. Secure in place with **wing nuts**.
3. Hook the two bolts in the front legs into the holes on the front ends of the grill. Secure in place with **wing nuts**.



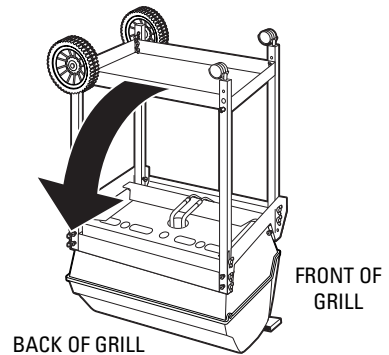
4. Thread a **large bolt** into the front bottom hole on each side. Secure in place with **wing nuts**.



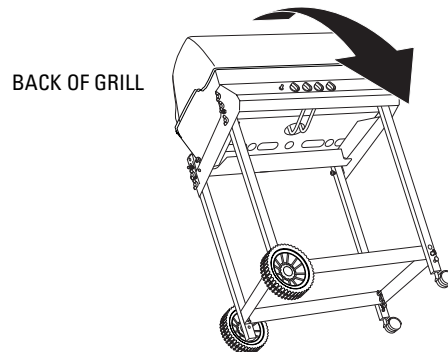
5. Position the **upper rear brace** between the upper back legs and secure it to the legs at each end with two **large bolts** and **wing nuts**.

## 5 SET THE GRILL ON ITS WHEELS

1. Lower the wheels toward you and rest the back legs on the floor.

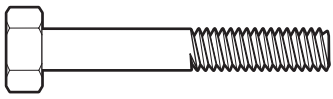


2. From the back top side of the grill, lift the grill onto its wheels.



# Assembly Instructions

## 6 INSTALL THE HANDLES

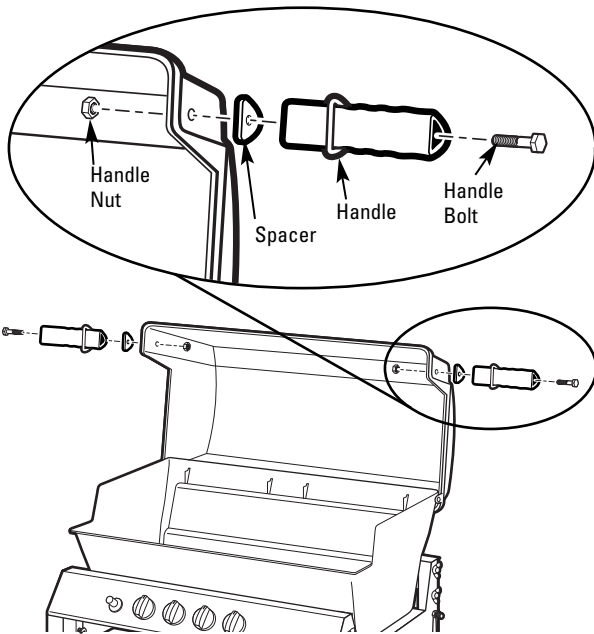


Handle Bolt (2)



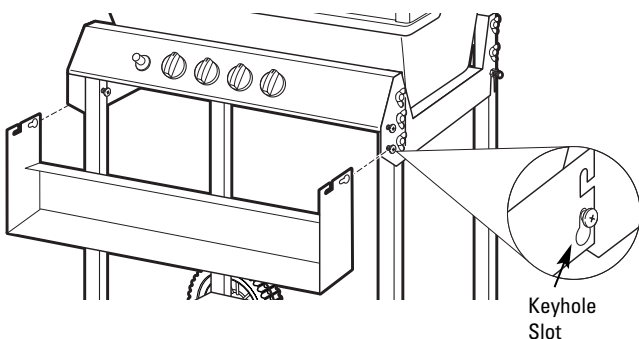
Handle Nut (2)

- Slide a **handle bolt** through a **handle** and **spacer** and into the hole in the grill top. Align and tighten in place with a **handle nut** using a 7/16" open end wrench or deep socket. Repeat for the other side.

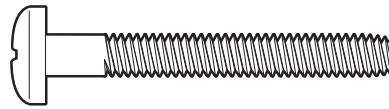


## 7 INSTALL THE FRONT BIN

- Hook the bottom holes of the **front bin** onto the bottom bolt heads on both sides and lock it down into the neck of the keyhole slot.



## 8 INSTALL THE SIDE SHELVES



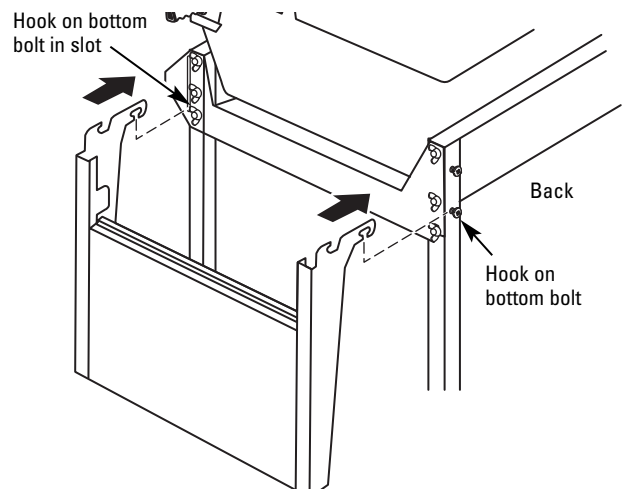
Large Bolt (1 or 2)



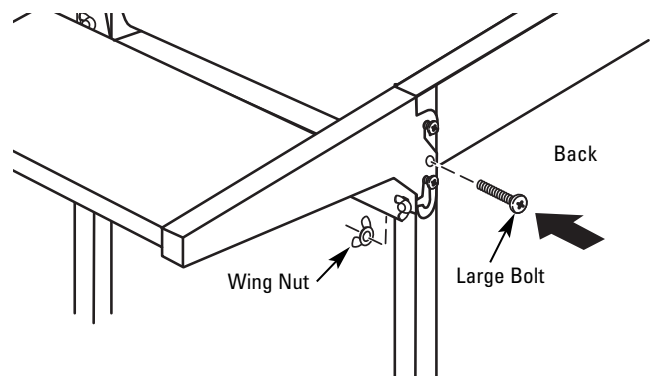
Wing Nut (1 or 2)

**NOTE: If your model has a burner/shelf, it must be installed on the left side.**

- Peel off the protective shipping film from the side shelves, if present.
- Hook the bottom slotted holes of the **shelf** onto the lower bolt heads. Repeat for the other shelf on the other side.

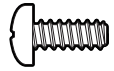


- If desired, raise the shelf and hook it in the up position. It may also be locked in the up position by inserting a **large bolt** in the center back hole and securing it with a **wing nut**.

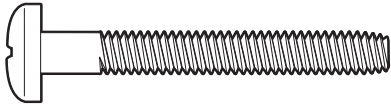


# Assembly Instructions

## 9 INSTALL THE LEFT SIDE BURNER/SHELF (on some models)



Screw (2)

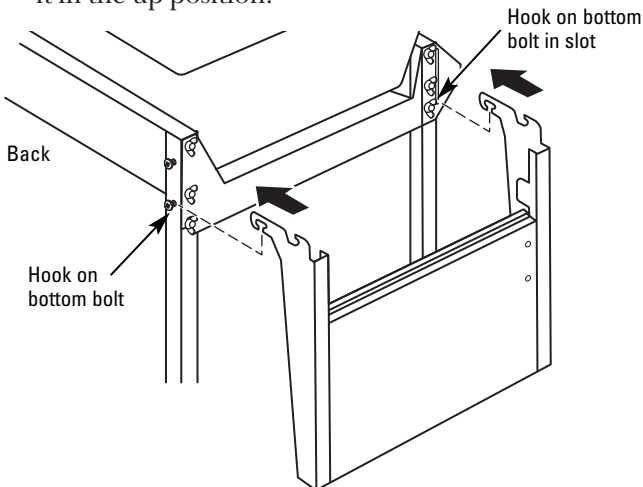


Large Bolt (1)

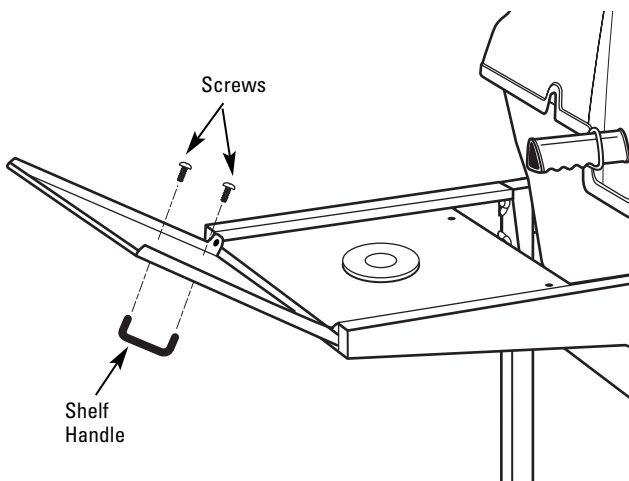


Wing Nut (1)

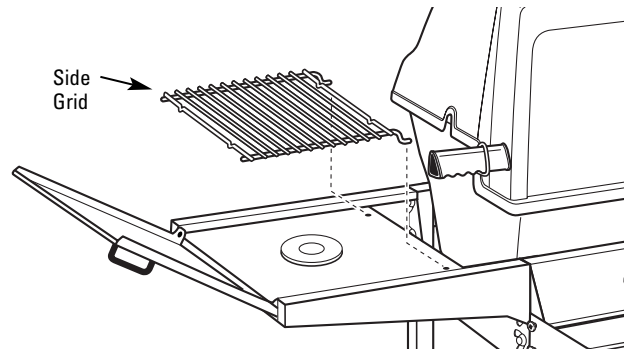
1. Peel off the protective shipping film from the side shelves, if present.
2. Hook the bottom slotted holes of the **burner/shelf** onto the lower bolt heads. Raise the shelf and hook it in the up position.



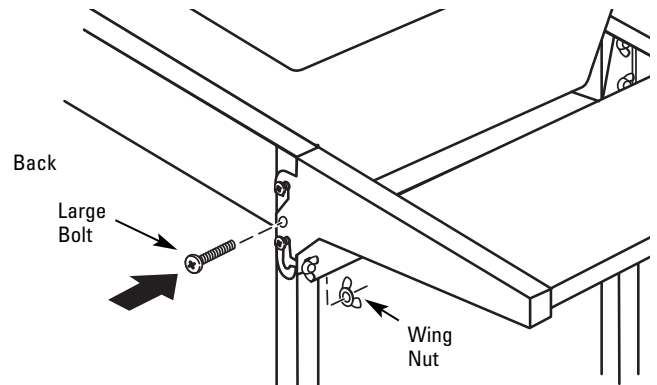
3. Peel off the protective shipping film from the burner shelf door and burner area, if present. Attach the **shelf handle** with two screws.



4. Remove the **side grid** and peel off the protective shipping film, if present. Guide the two pins on the grid into the two holes in the side burner/shelf and lower it into position.



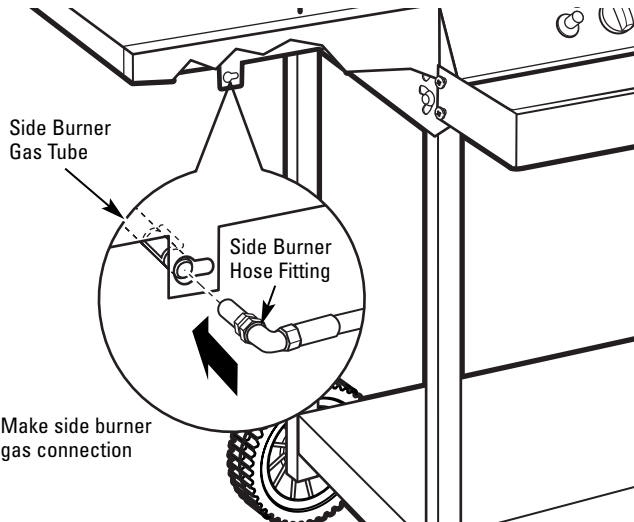
5. The shelf should be locked in the up position by inserting a **large bolt** in the center back hole and securing it with a **wing nut**.



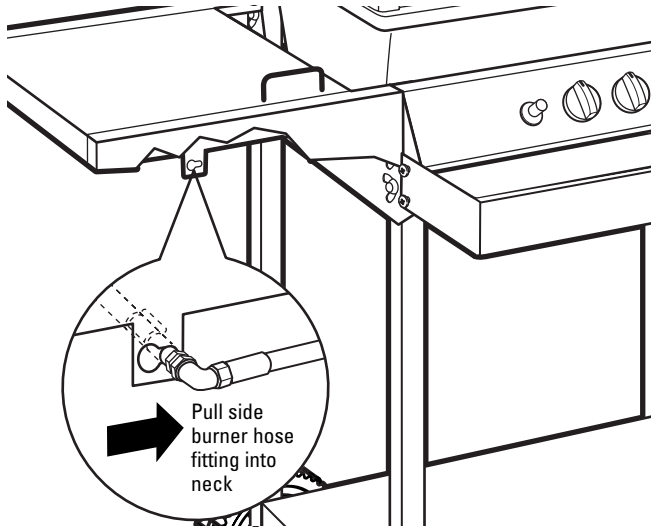
# Assembly Instructions

## 10 CONNECT THE LEFT SIDE BURNER/SHELF (on some models)

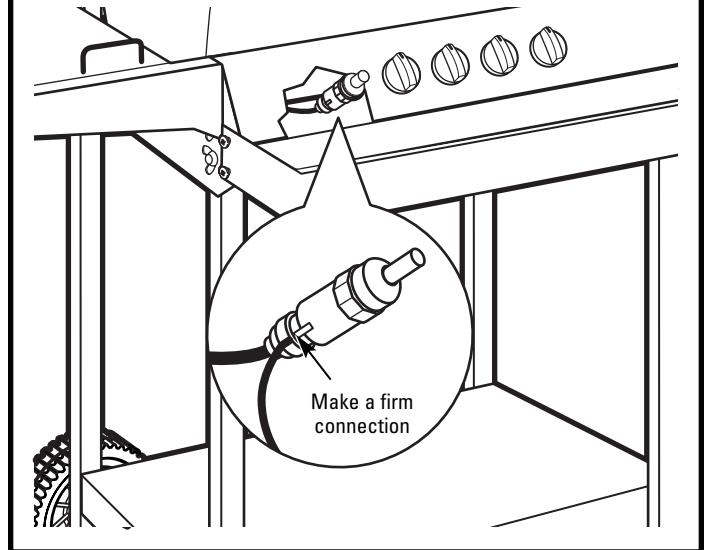
1. Connect the side burner hose by pressing the fitting onto the side burner gas tube.



2. Pull the side burner hose into the neck of the keyhole bracket and hand-tighten the nut to lock in place.



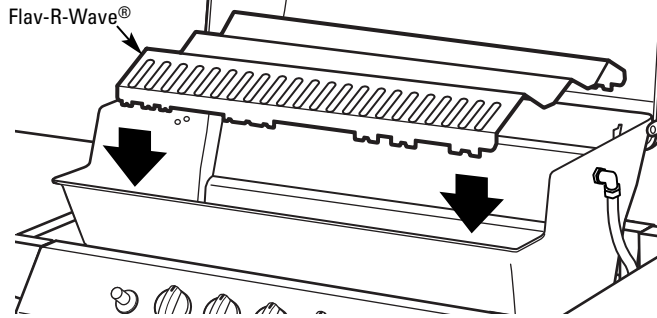
3. Hand connect the side burner electrode wire to the connector under the control panel. (The connector is under the control panel, on the stem of the red igniter button).



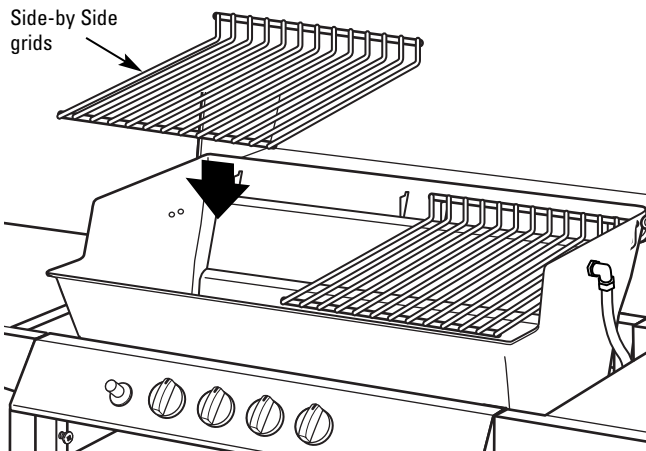
# Assembly Instructions

## 11 ASSEMBLE THE GRILL COMPARTMENT

1. Place the **Flav-R-Wave®** on the supports in the bottom of the grill. The Flav-R-Wave® should lie flat.

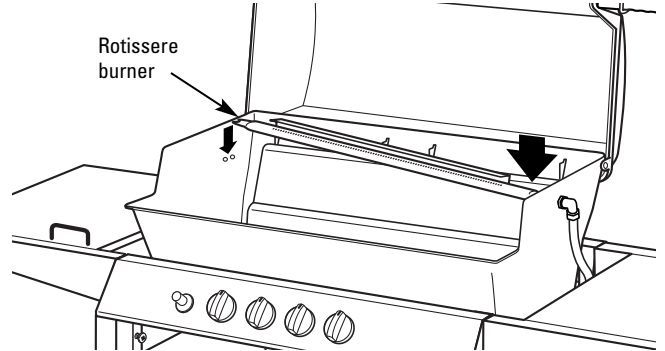


2. Place the **side-by-side grids** on the front and back supports\*.

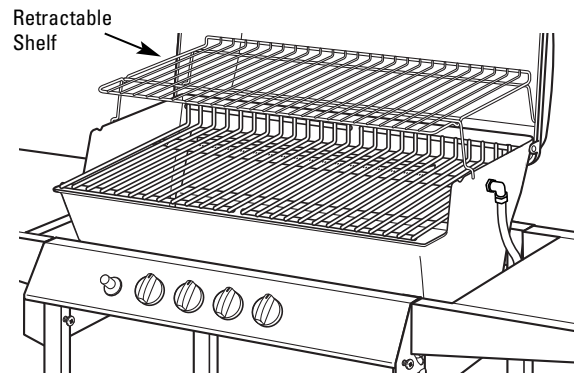


\* See the Owner's Manual for available grid positions for your model.

3. With the deflector on top (holes facing front), press the round end of the **rotisserie burner** (on some models) into the hole on the right. Press down and snap the left side into the two holes in the left side of the grill.



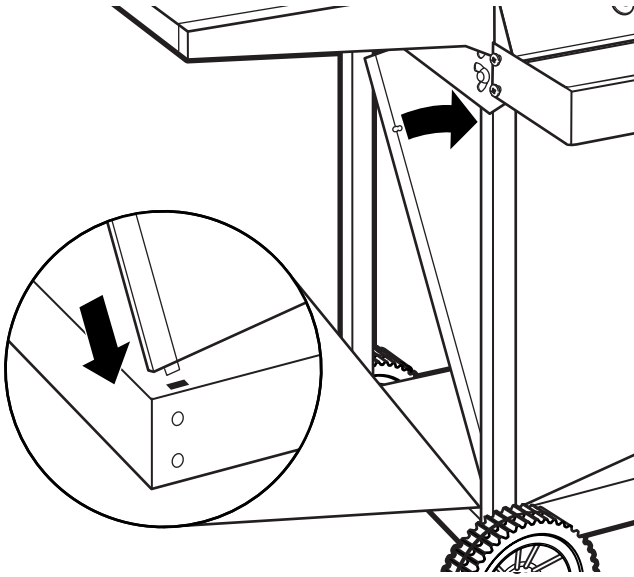
4. Hook the back feet of the **retractable shelf** into the holes in the lid. Place the swivel feet in the small back notches in the grill sides.



# Assembly Instructions

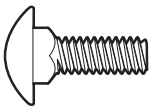
## 12 INSTALL THE FRONT BANNER

1. Insert the pointed support of the **front banner** into the slot behind the front leg at the base.

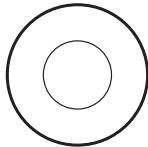


2. Snap the upper support button into the hole in the back of the leg. Use a rubber mallet, if needed. Repeat on the opposite side.

## 13 ATTACH THE LP TANK BRACKET



Small Bolt (1)

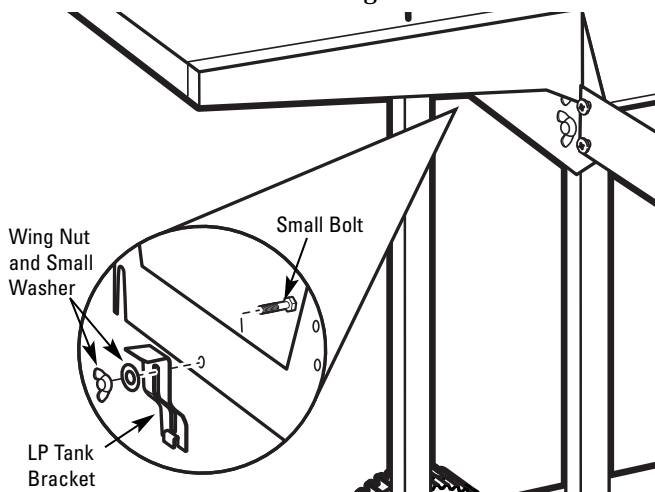


Small Washer (1)



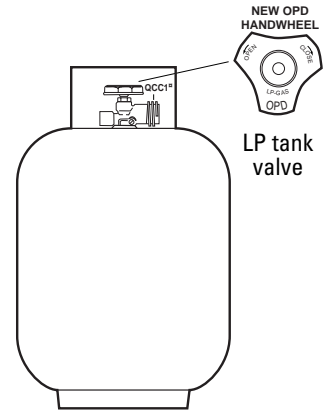
Wing Nut (1)

1. Under the left shelf, insert the **small bolt** from the inside through the square hole in the side support.
2. Attach the **LP tank bracket** to the side support with the **small washer** and a **wing nut**.



## 14 MOUNT THE LP TANK (not included—obtain locally)

- Your grill is designed to be used with an LP gas tank equipped with the new **QCC-1 Quick Closing Coupling** system and the new **OPD handwheel**.



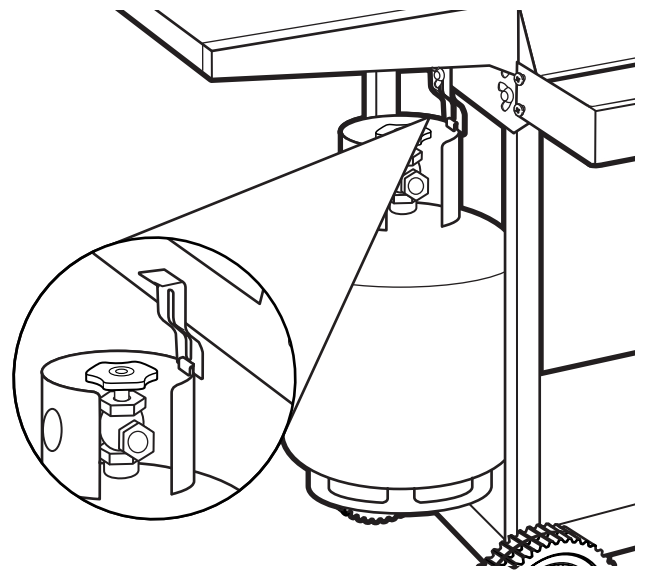
- The QCC-1 system is recognizable by the external threads on the inlet port of the valve.
- The OPD handwheel is recognizable by its shape as shown.
- The LP gas tank used with this grill must **NOT** have a capacity larger than 20 lbs. (9kg).

Approximately: 18" (46 cm) high  
12" (31 cm) diameter

- These tanks are available from your local gas grill dealer.

**WARNING:** Make sure that the cylinder valve on the LP tank is closed. Close by turning clockwise.

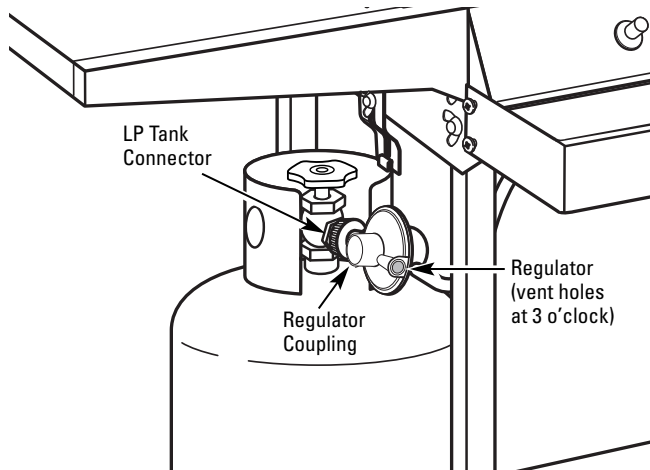
1. Place the LP tank on the grill base with the LP tank connector facing to the front of the grill. Slide the LP tank bracket over the inner rim of the LP tank.
2. Tighten the wing nut on the LP tank bracket to lock the LP tank in position.



# Assembly Instructions

## 15 CONNECT THE LP TANK

1. Remove the plastic cover from the LP tank connector.
2. Screw the regulator coupling (on the gas hose) onto the LP tank connector in a clockwise direction. Hand tighten only.



**NOTE:** The regulator coupling tightens clockwise and will not allow gas to flow unless the connection is tight. The connection requires tightening by hand only.

**WARNING:** Do not use a wrench to tighten the connection. Using a wrench could damage the regulator coupling and could cause a gas leak. The regulator vent holes should be at 3 o'clock (facing forward). They should not be pointed up.

## 16 TEST FOR LEAKS

**WARNING** — A complete gas tightness check must be performed at the final use site.

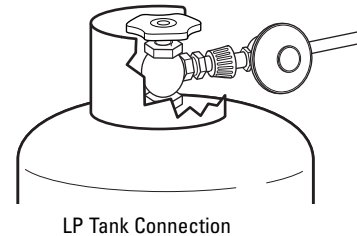
DO NOT use grill until all connections have been leak tested.

### TO TEST FOR LEAKS:

- Prepare a soap solution of one part water, one part liquid detergent.
1. Extinguish any open flame or cigarettes in the area.
  2. Make sure the LP tank valve is closed and the grill controls are turned to OFF.
  3. Connect the LP gas tank. See the CONNECT THE LP TANK step.
  4. With a full LP tank, open the tank valve slowly.

## TEST FOR LEAKS (CONTINUED)

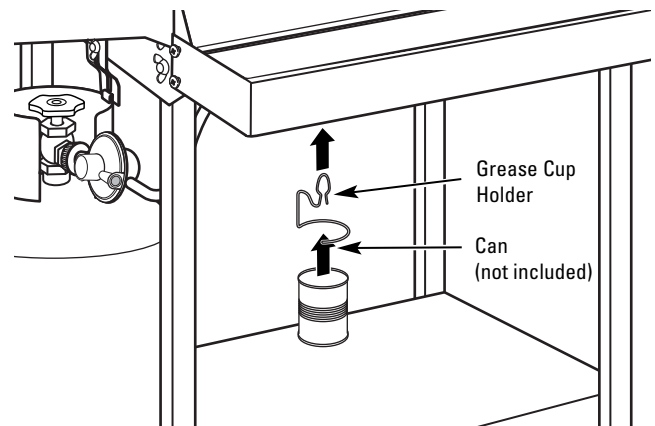
5. Wet each connection with the soap solution.



6. A leak is identified by a flow of bubbles from the area of the leak.
7. If a leak is detected, close the LP tank valve, tighten the connection, and retest (Steps 4–6).
8. If you smell gas, read and follow the complete Leak Test section in the Owner's Manual.
9. If the leak persists, contact your grill dealer for assistance. Do not attempt to operate the grill if a leak is present.

## 17 HANG THE GREASE CUP HOLDER

1. Press the clip end of the **grease cup holder** into the center hole on the grill bottom. It should hang snugly in place.

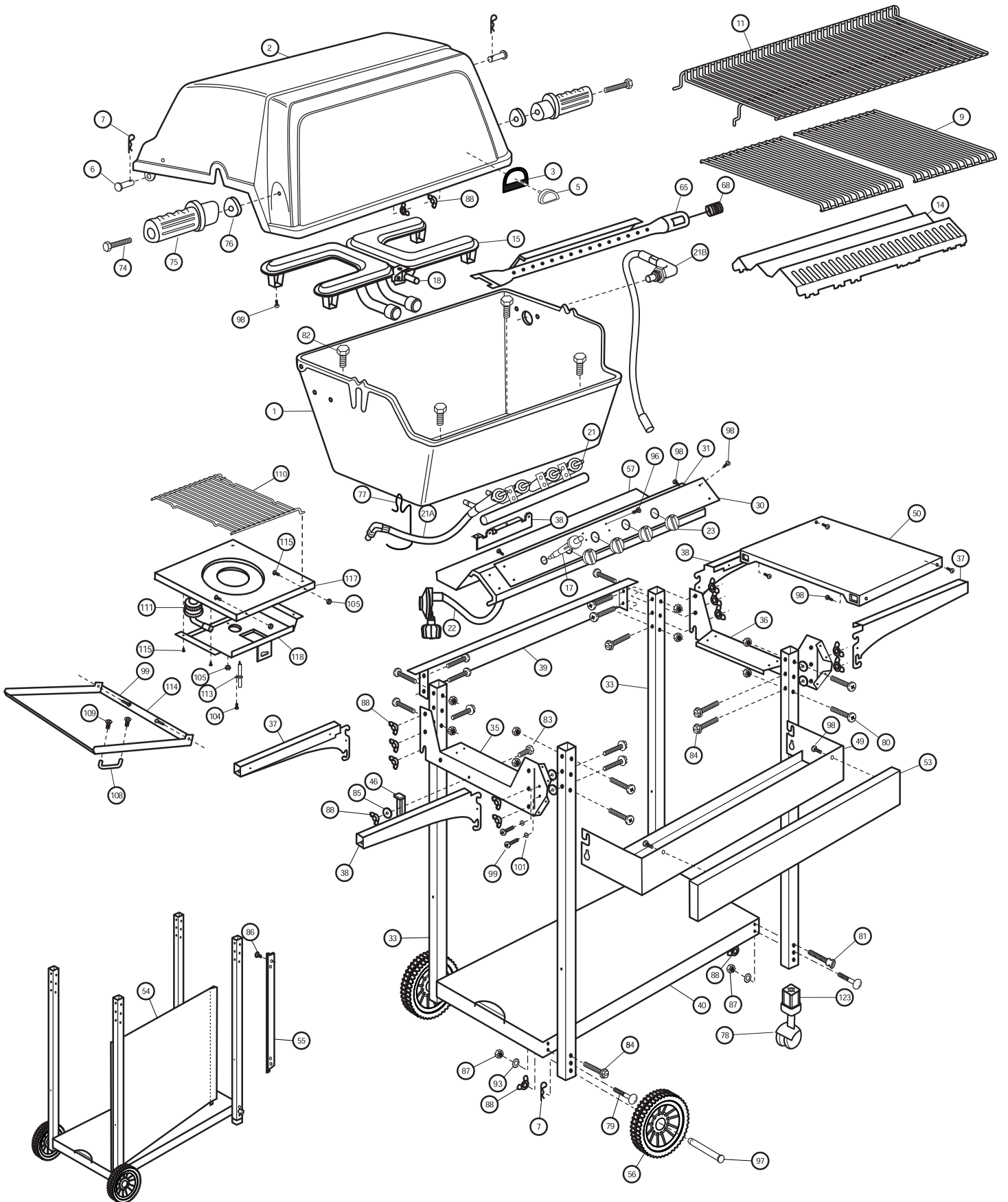


2. Snap a clean empty can into the ring. A can with ribbed sides is best so that it stays securely in place.

## 18 READ YOUR OWNER'S MANUAL

Read your **Owner's Manual** carefully for proper use and care of your grill.

# PARTS LIST



## GENERAL ELECTRIC PARTS CATALOG

---

REF. NO.	PART NO.	PART DESCRIPTION	JGGN24	JGGR24
1.	S11425	CASTING BOTTOM	1	1
2.	S11296	CASTING TOP	1	1
3.	164D4388	NAMEPLATE	1	1
5.	10571-6	HEAT INDICATOR	1	1
6.	S21235	HINGE PIN	2	2
7.	S21233	HINGE CLIP	4	4
9.	S12029	GRID	2	2
11.	S12207	GRID RETRACTABLE	1	1
14.	10222-T425	FLAV-R-WAVE®	1	1
15.	S10017	BURNER ASSEMBLY	1	1
17.	10342-21	IGNITOR	1	-
	10342-22	IGNITOR	-	1
18.	S15500	ELECTRODE	1	1
21.	10440-K50	CONTROL ASSEMBLY LP	1	-
	10440-K56	CONTROL ASSEMBLY LP	-	1
21A.	S10125	HOSE - SIDE BURNER LP	-	1
21B.	S10133	HOSE - REAR BURNER LP	-	1
22.	10114-18	HOSE & REGULATOR LP - QCC1	1	1
23.	10472-K37	CONTROL KNOB	2	4
30.	164D4377	DECO PLATE	-	1
	164D4378	DECO PLATE	1	-
31.	10194-R50	CONTROL COVER	1	1
32.	10184-R001	VALVE BRACKET	-	1
33.	10338-K581	POST WHEEL	4	4
35.	10184-K561	SUPPORT - CASTING - LEFT	1	1
36.	10184-K571	SUPPORT - CASTING - RIGHT	1	1
37.	10184-K581	SUPPORT - SIDE SHELF - LEFT	2	2
38.	10184-K591	SUPPORT - SIDE SHELF - RIGHT	2	2
39.	10956-K501	BRACE - UPPER REAR	1	1
40.	10711-K521	SHELF - LOWER	1	1
46.	S17105	BRACKET - CYLINDER LP	1	1
49.	10711-K541	CONDI-BIN	1	1
50.	10711-K551	SHELF - SIDE	2	1
53.	S16144-2	SHELF BOARD - FRONT	1	1
54.	10088-35	FRONT BANNER	1	1
55.	10184-K631	FRONT BANNER BRACKET	2	2
56.	10892-8	WHEEL	2	2
57.	10156-K55	SHIELD	1	1
65.	S13003	BURNER ROTISSERIE	-	1
68.	S21361	SPRING	-	1

**GENERAL ELECTRIC PARTS CATALOG (cont.)**

REF. NO.	PART NO.	PART DESCRIPTION	JGGN24	JGGR24
74.	Y-6616	BOLT 1/4-20 x 1½	2	2
75.	10338-145	HANDLE	2	2
76.	10239-6	WASHER - HANDLE	2	2
77.	S15111	GREASE CUP HOLDER	1	1
78.	10892-13	CASTER	2	2
79.	Y-11984	CARRIAGE BOLT - 1/4-20 x 1⅝	4	4
80.	Y-11549	BOLT - 1/4-20 x 1⅞	16	16
81.	Y-11982	SCREW - THUMB - 1/4-20 x 1¾	2	2
82.	Y-12860	SCREW - 1/4-20 x 1	4	4
83.	S21141	BOLT - 1/4-20 x 5/8	1	1
84.	S21017	HEX-HEAD SCREW - 1/4 -20 x 1¾	8	8
85.	S21255	WASHER	1	1
86.	Y-12656	PLUG - BUTTON	2	2
87.	Y-11793	NUT - 1/4	10	10
88.	Y-11598	NUT WING - 1/4	19	19
89.	Y-11212	NUT TINNEMAN - 1/4	6	6
93.	Y-12852	WASHER - EXT. TOOTH	2	2
96.	Y-29305	BOLT 10-24 x 3/8	2	4
97.	10240-13	WHEEL BOLT	2	2
98.	S21124	SCREW - 8 x 1/2	22	19
99.	Y-12646	SCREW - SHOULDER 8 x 1/2	4	4
101.	Y-12853	WASHER - #8	4	4
104.	Y-12835	SCREW - 6-32 x 1/4	8	9
105.	Y-29307	NUT - 10-24	-	1
108.	PB20-60	LID HANDLE	-	1
109.	S21136	SCREW 8-32 x 3/8	-	2
110.	10225-T10	GRID	-	1
111.	10390-T10	SIDE BURNER	-	1
113.	10342-T08	ELECTRODE - SIDE BURNER	-	1
114.	10393-K40	COVER - SIDE BURNER	-	1
115.	Y-29305	SCREW 10-24 x 3/8	-	4
117.	10393-K50	SHELF - SIDE BURNER	-	1
118.	10393-T221	SHIELD - SIDE BURNER	-	1
123.	10184-D60	CASTOR INSERT	2	2

To obtain replacement parts, call during normal business hours: 866.GE.GRILL (866.434.7455).

## NOTES

---

Part No. 164D4290P034
Pub. No. 49-80076