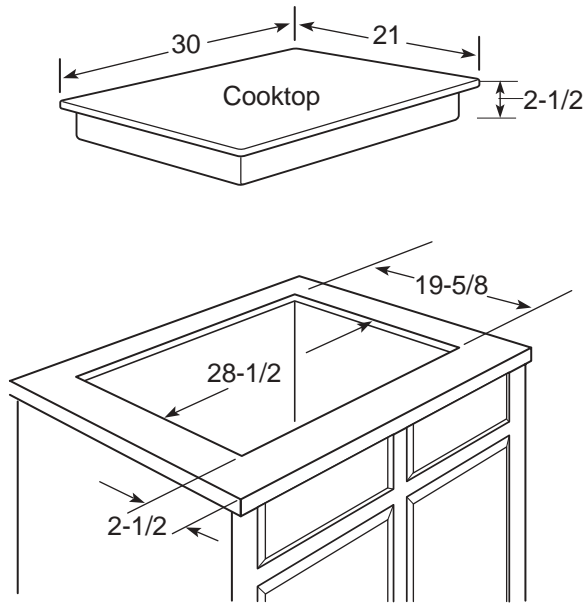




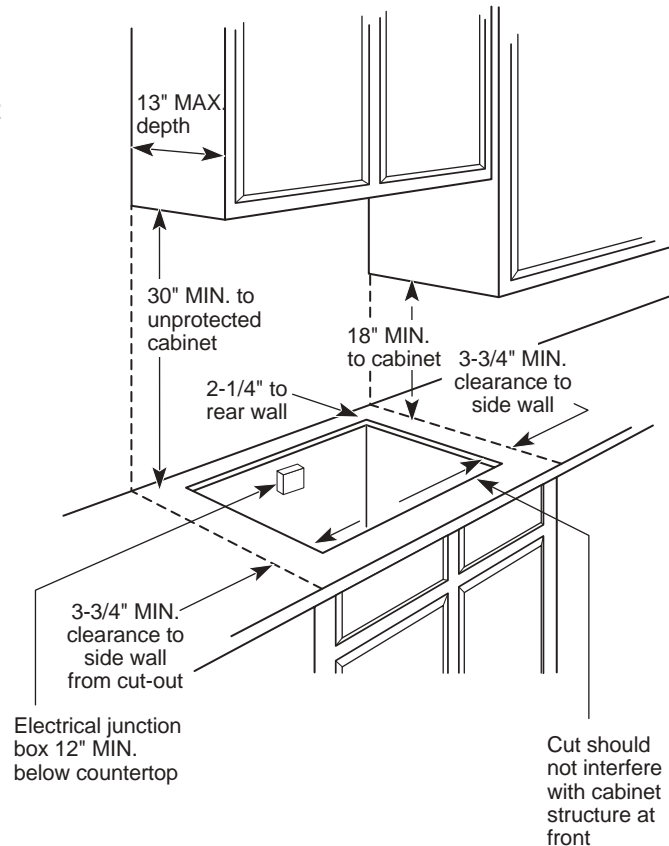
GE Appliances

## JGP930SEDSS—GE 30" Built-In Gas Cooktop

### Counter Installation Dimensions (in inches)



### Dimensions (in inches)



### Optional Gas Range Wok Accessory

(Available at additional cost)

JXWK = Wok accessory holder sits on top of the maximum burner grate to hold a **round-bottom** wok.

**AGA Requirement:** All gas cooktop models require 7/16" free area below countertop height to combustibile material. Requires 18" minimum from countertop to adjacent overhead cabinets. 0" Clearance is required between left and right sides of cooktop below countertop.

**Electrical Rating:** 120V, 60Hz, 5A

### Installation With Single Wall Oven Information:

30" Gas Cooktops are approved for use over GE 27" Wall Ovens. 30" and 36" Gas cooktops are approved for use over 30" Wall Ovens. Refer to cooktop and wall oven installation instructions packed with product for current dimensional data.

**Installation Information:** Before installing, consult installation instructions packed with product for current dimensional data.

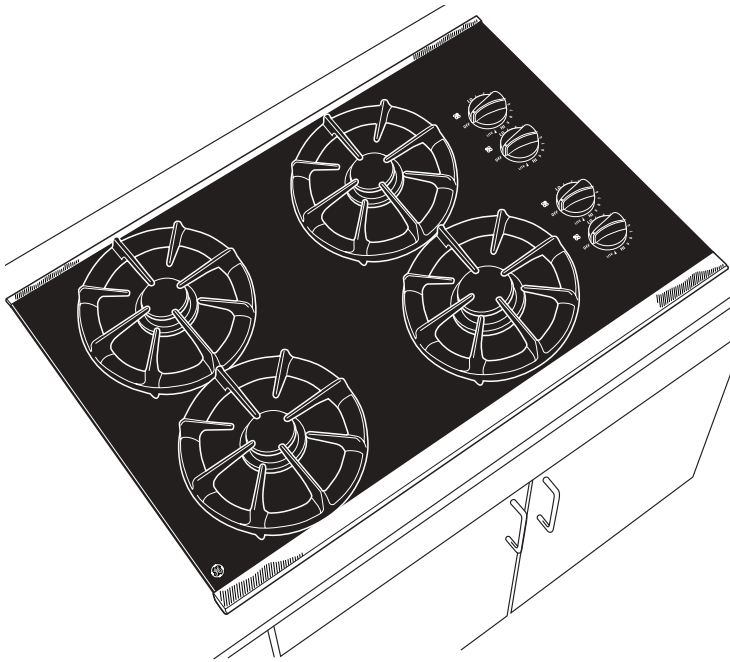
For answers to your Monogram®, GE Profile™ or GE appliance questions, visit our website at [GEAppliances.com](http://GEAppliances.com) or call GE Answer Center® service, 800.626.2000.



**GE Appliances**

---

## **JGP930SEDSS—GE 30" Built-In Gas Cooktop**



### **Features and Benefits**

- 30" Tempered Glass Cooktop
- Sealed Cooktop Burner Design
- Maximum Output Burner
- Precise Simmer Burner
- Dishwasher-Safe Deluxe Cast Grates
- Porcelain-Enameled One-Piece Drip Pans
- Electronic Pilotless Ignition
- Right-Side Controls
- Model JGP930SEDSS—Stainless Steel