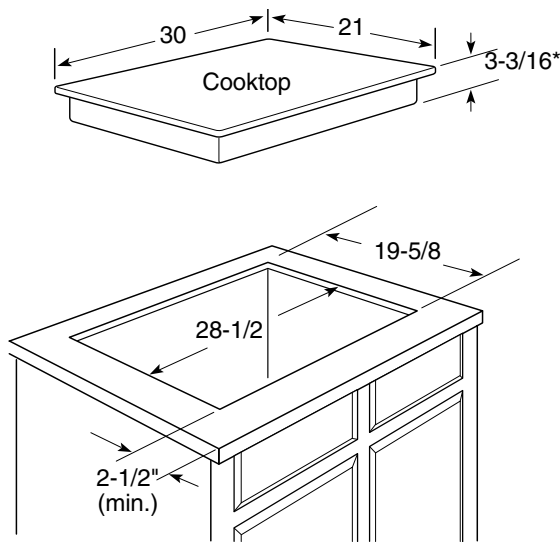




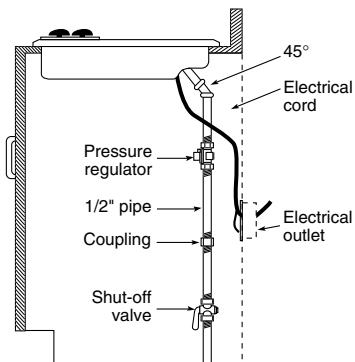
Profile™

JGP933SEJ/WEJ/CEJ/BEJ – GE Profile™ 30" Built-In Gas Cooktop

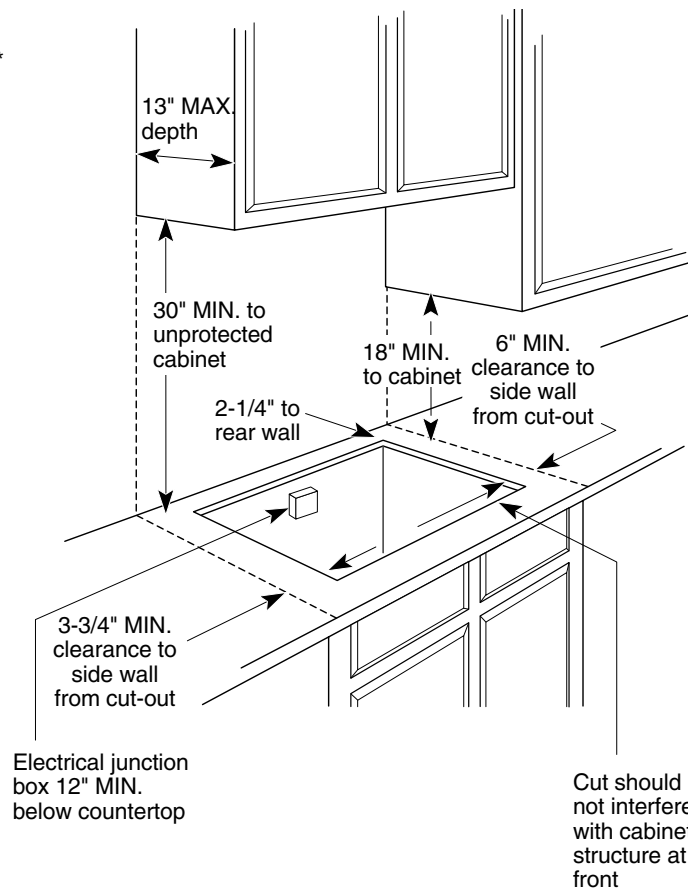
Dimensions (in inches)



Gas Connection



Counter Installation Dimensions (in inches)



AGA Requirement: All gas cooktop models required 7/16" free area below cooktop height to combustible material. 0" Clearance is required between left and right sides of cooktop below countertop. Requires 18" minimum from countertop to adjacent overhead cabinets.

Note: If installing with a GE Profile™ Telescopic Downdraft System, consult both cooktop and downdraft installation instructions packed with product before installing. Cooktop gas/electric supply may need to be re-routed to install downdraft.

Electrical Rating: 120V, 60Hz, 5A

Installation With Single Wall Oven Information:

30" Gas Cooktops are approved for use over select GE 27" Wall Ovens. 30" and 36" Gas cooktops are approved for use over 30" Wall Ovens. Refer to cooktop and wall oven installation instructions packed with product for current dimensional data.

Installation Information: Before installing, consult installation instructions, packed with product, for current dimensional data.



For answers to your Monogram®, GE Profile™ or GE® appliance questions, visit our website at GEAppliances.com or call GE Answer Center® service, 800.626.2000.

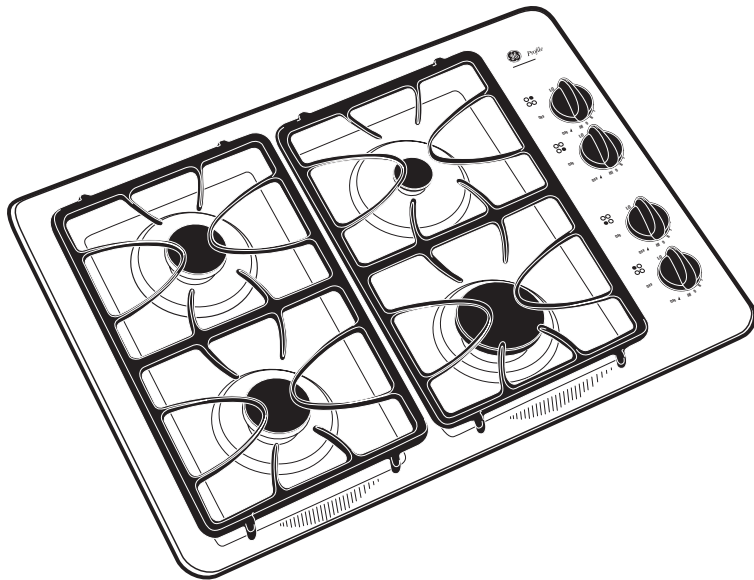
Specification Created 1/04

230247



Profile™

JGP933SEJ/WEJ/CEJ/BEJ – GE Profile™ 30" Built-In Gas Cooktop



Features and Benefits

- Deep recessed cooktop – Designed with a recessed surface to help contain spills and make cleaning easy
- Sealed cooktop burners – Eliminate the space between the burners and the cooktop to help contain spills and boil over liquids, ensuring easy cleanup
- PowerBoil™ burner – Provides maximum 15,000 BTU output for fast heat-up and boiling
- Precise simmer burner – Offers the low setting of 600 BTUs, ensuring more temperature control for simmering
- Continuous grates – Interlocking grates provide a flat, sturdy surface allowing easy movement of pans between burners
- Dishwasher safe grates – Durable grate construction can be placed into the dishwasher for easy cleaning and maintenance
- Deluxe cast grates – Constructed from a premium cast iron material for a long-lasting performance and durability
- Model JGP933SEJSS – Stainless steel
- Model JGP933WEJWW – White on white
- Model JGP933CEJCC – Bisque on bisque
- Model JGP933BEJBB – Black on black