

# JGSP42SET

## GE® 30" Slide-In Gas Range

### Dimensions and Installation Information (in inches)

Rear filler strip or backguard are available for these ranges

**Note:** Door handle protrudes 3" from door face. Cabinets and drawers on adjacent 45° and 90° walls should be placed to avoid interference with the handle.

**Note:** Cabinets installed adjacent to slide-in ranges must have an adhesion spec of at least 194° temperature rating.

**Optional Kits for Slide-In Gas Ranges:**  
(Available at additional cost)

#### Lower Trim Kits

JXS56BB - Lower Trim Kit (Black)

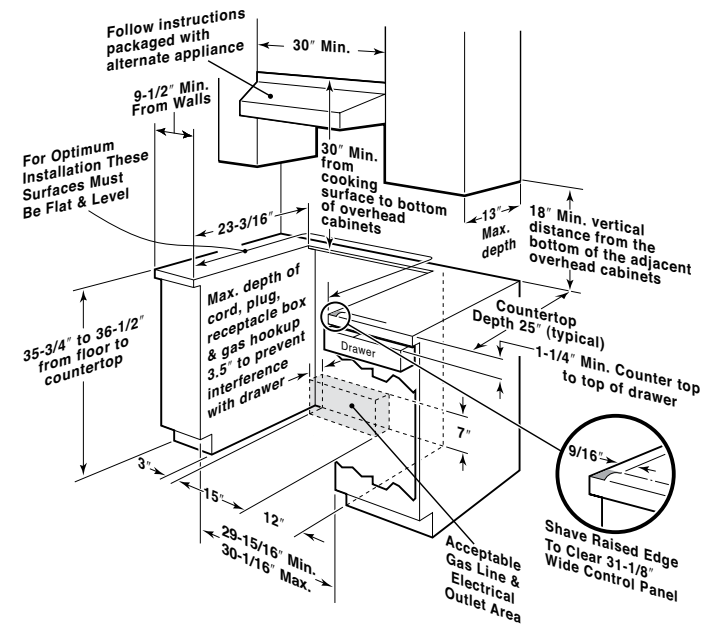
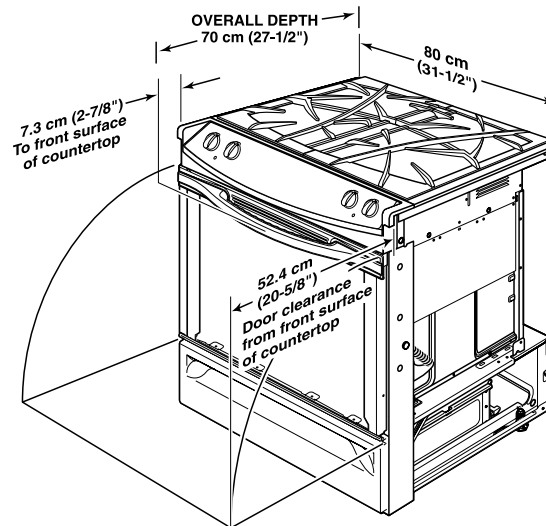
#### Accessory Backguards

JXS32SS - Brushed-Chrome Accessory Backguard

#### Rear Filler Strip

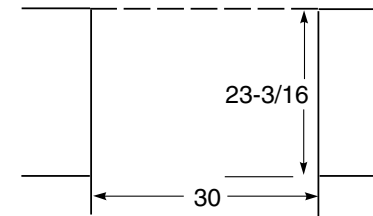
WB07T10680 - Black Filler Strip Assembly

**Installation Information:** Before installing, consult installation instructions packed with product for current dimensional data.

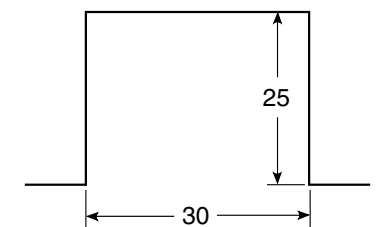


Counter Cutout Dimensions (in inches)

If you are NOT using the optional Filler or Backguard:



If you are using the optional Filler or Backguard:



Dimension and installation information are shown in inches.



imagination at work

For answers to your Monogram® or GE® appliance questions, visit our website at [geappliances.com](http://geappliances.com) or call GE Answer Center® service, 800.626.2000.



All GE ranges are equipped with an Anti-Tip device. The installation of this device is an important, required step in the installation of the range.



Listed by Underwriters Laboratories

Specification Revised 4/13

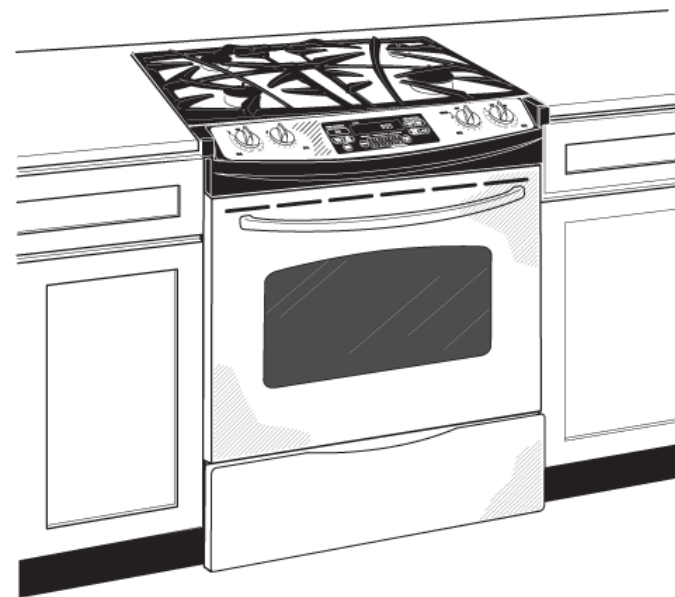
330233

# JGSP42SET

## GE® 30" Slide-In Gas Range

### Features and Benefits

- Deep-recessed cooktop - Deep-recessed cooktop contains spills in one area that's easy to wipe clean
- Self-clean oven - Self-clean allows you to spare yourself from the trouble and effort it takes to scrub the oven interior
- Power Boil Burner - Delivers 15,000 BTUs of forceful heat for rapid boiling
- Precise Simmer burner - Allows for low, even heat distribution that is ideal for delicate foods and sauces
- 4.1 cu. ft. oven capacity - Ideal for special occasions and big meals, the extra large oven interior allows more to cook at once
- Continuous grates - Connected cooktop grates provide a sturdy, uninterrupted surface that allows pots and pans to move easily
- Dishwasher-safe grates - Grates are safe for the dishwasher so cleaning is as easy as ever
- Two oven racks - Includes two oven racks that are sturdy and reliable
- True Temp oven system - This feature helps ensure the temperature you set is the temperature you get to give you the baking and broiling performance you desire
- Model JGSP42SETSS - Stainless steel



imagination at work