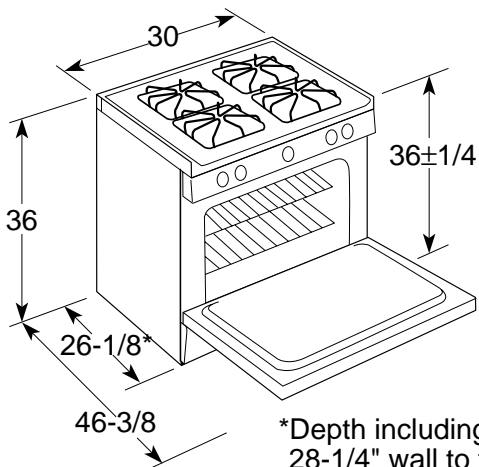




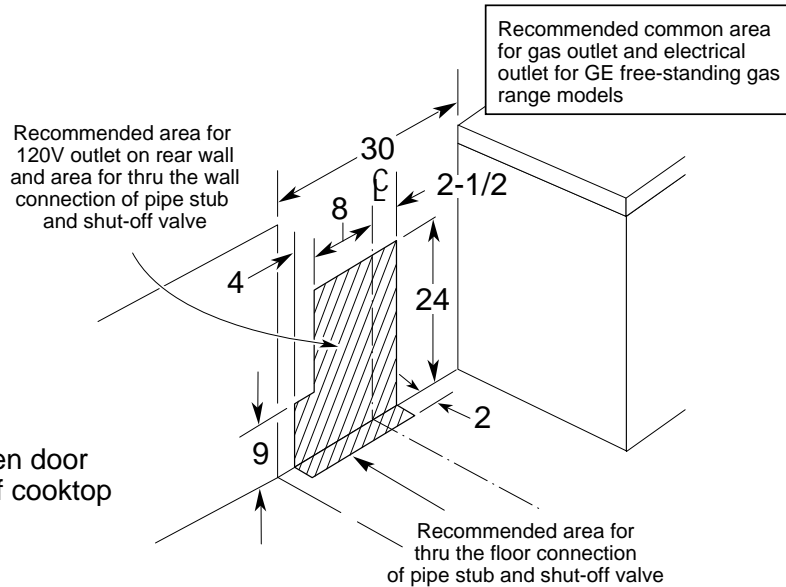
GE Appliances

JGSS05BEABB—30" Slide-In Gas Range

Dimensions (in inches) and Installation Information



*Depth including handle
 28-1/4" wall to front of closed oven door
 25-1/4" depth to front top edge of cooktop



Note: Cabinets installed adjacent to slide-in ranges must have an adhesion spec of at least 194°.

Installation Information: Before installing, consult installation instructions packed with product for current dimensional data.

For answers to your Monogram®, GE Profile Performance Series™, GE Profile™, and GE appliance questions, call GE Answer Center® service, 800.626.2000.



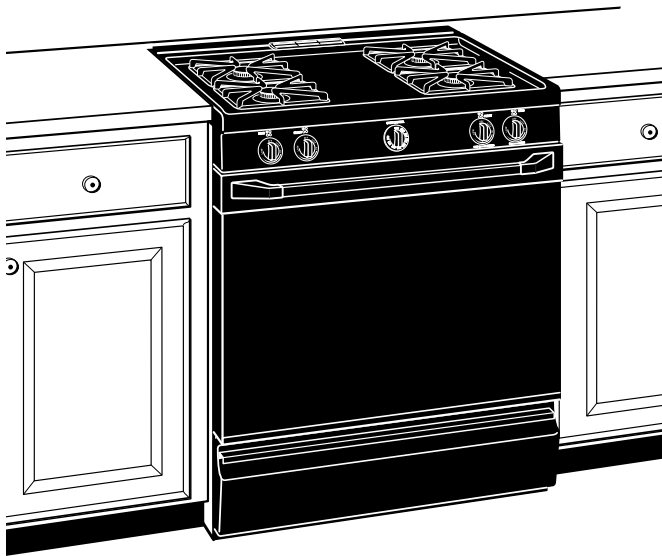
All GE ranges are equipped with an Anti-Tip device. The installation of this device is an important, required step in the installation of the range.





GE Appliances

JGSS05BEABB—30" Slide-In Gas Range



Features and Benefits

- Black Porcelain-Enameled Lift-Up Cooktop
- Standard / Twin Cooktop Burners
- Standard Porcelain-Steel Square Cooktop Grates
- Electronic Ignition System
- Extra-Large Standard Clean Oven
- Slide Out Broiler Drawer
- Extra-Large Broiler Pan with Grid
- 2 Oven Shelves
- Frameless Glass Oven Door
- Designer-Style Handle
- Model JGBS05BEABB—Black on Black