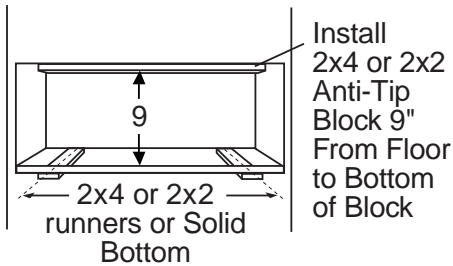
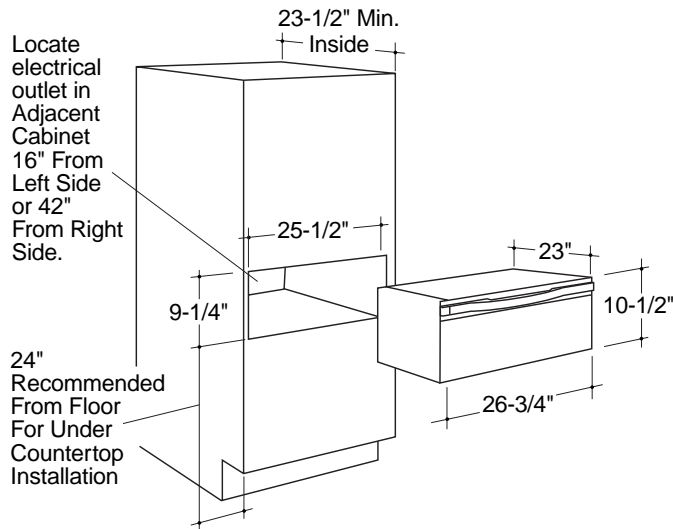




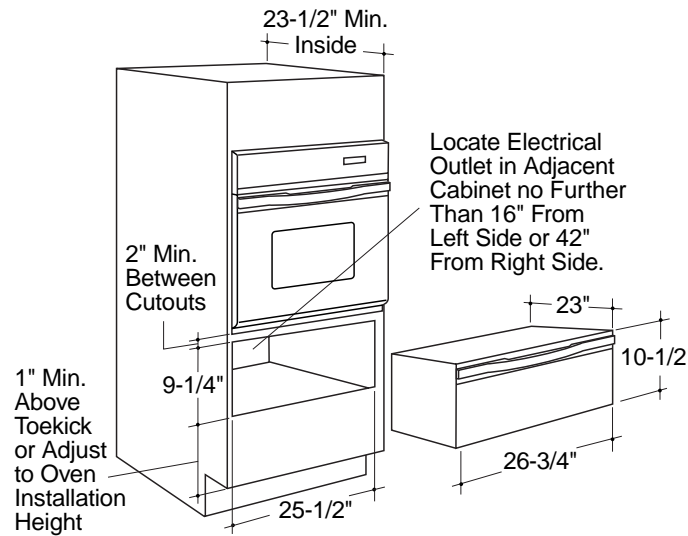
# Profile Performance Series™

## JKD910ABAA - GE Profile Performance™ 27" Warming Drawer

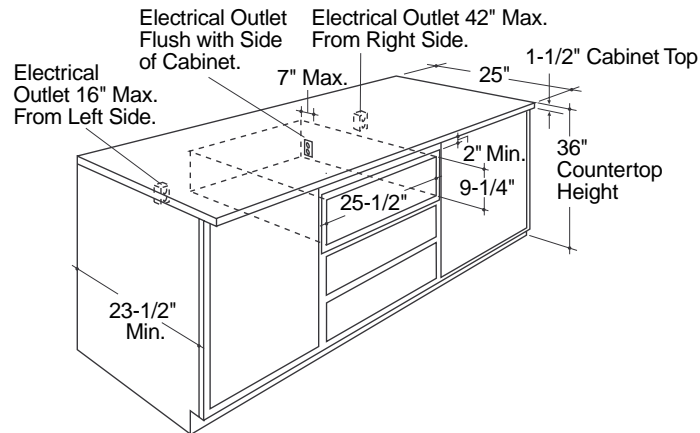
### Warming Drawer Dimensions (in inches)



### Under Oven Installation (in inches)



### Undercounter Installation (in inches)



### Optional Accessories:

**JXPN1**—Optional Pan Set Accessory for Warming Drawer.

Five commercial pans with lids (4" deep)

- One large pan (14 quarts)
- Two medium pans (6 quarts each)
- Two small pans (3 quarts each)

**ZXD27B**—1/4" wood panel trim kit

### Important Installation Note:

Must provide anti-tip brace at the back of the cabinet and the top of the cutout.

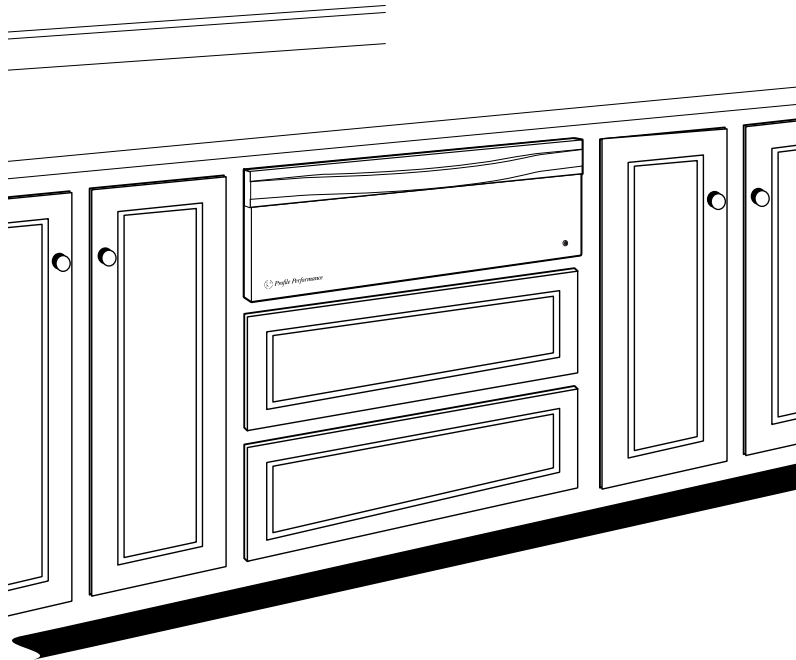
**Note:** When installing warming drawer with a cooktop, allow a 2" minimum from cooktop burner box bottom to top of cut-out.





## *Profile Performance Series™*

### JKD910ABAA - GE Profile Performance™ 27" Warming Drawer



#### **Features and Benefits**

- 1.67 cu. ft Capacity
- Variable Temperature Control - Proof(80) / Low(140) / Med(170) / High(210)
- Variable Humidity Control - Crisp to Moist
- Half Rack
- "On" Signal Light
- On/Off Rocker Switch
- Removable Stainless Steel Pan
- Full Extension Ball Bearing Glides
- Hidden Controls Provide Flush Installation Appearance
- Variable Installation Options
- Model JKD910WBWW - White on white
- Model JKD910BBBB - Black on black
- Model JKD910ABAA - Almond on almond
- Model JKD910SBSS - Stainless steel
- Model JKD910CBCC - Bisque