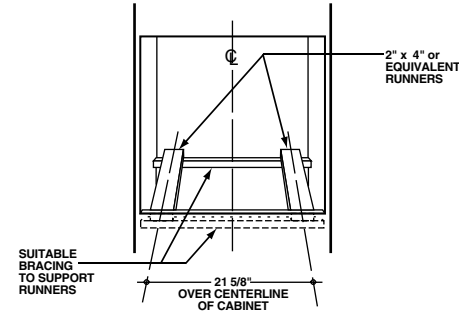
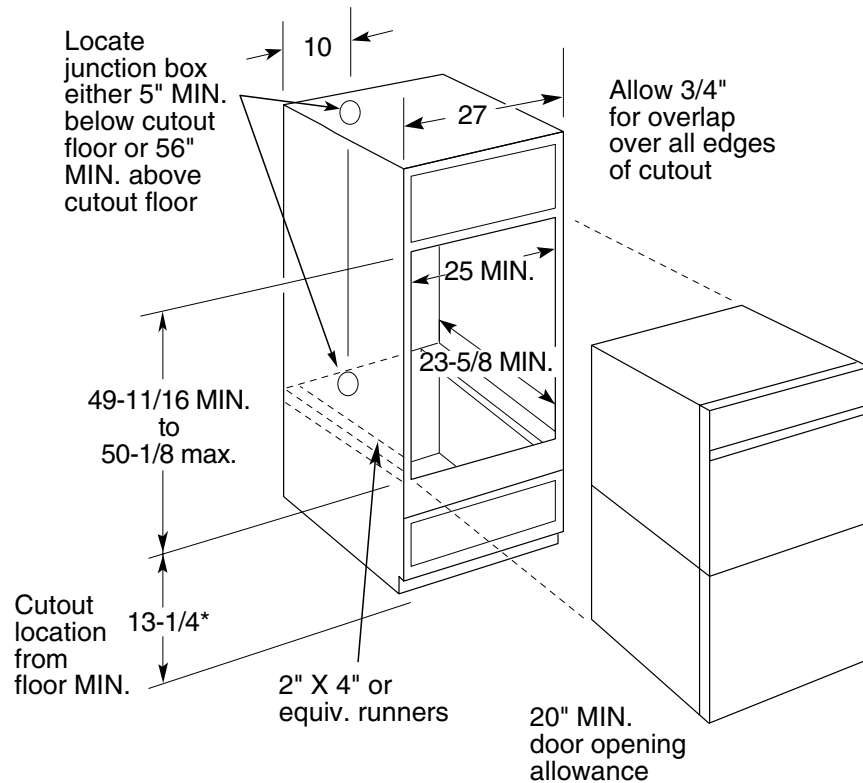




GE Appliances

JKP45BABB - GE 27" Double Wall Oven

Dimensions (in inches)



KW Rating	
240V	6.8
208V	5.1
Breaker Size	
30 Amps†	

†Note: Check local codes for required breaker size

Installation Information: Before installing, consult installation instructions, packed with product, for current dimensional data.

Note: Cabinets installed adjacent to wall ovens must have an adhesion spec of at least 194°

For answers to your Monogram®, GE Profile Performance Series™, GE Profile™ or GE appliance questions, call GE Answer Center® service, 800.626.2000.



*Cutout location from floor (min.). Consult installation instructions for special installation applications.

Specification Revised 6/00



GE Appliances

JKP45BABB - GE 27" Double Wall Oven



Features and Benefits

- TrueTemp™ System
- 2 Large Capacity Self-Clean Ovens with Delay Clean Option
- 2 Oven Shelves / 4 Embossed Rack Positions Each Oven
- SmartSet Electronic Oven Controls
- Variable Broil
- Delay Time Bake Option with Cook and Hold
- Auto Oven Shut-Off with Override
- Control Lockout
- Broiler Pan with Grid
- Electronic Clock and Kitchen Timer
- Interior Oven Light
- Frameless Glass Oven Doors with Big View Windows
- Sure Grip Designer-Style Handles
- 27" Oven Cabinet Width Required
- Model JKP45WAWW - White on white
- Model JKP45BABB - Black on black

Specification Revised 6/00