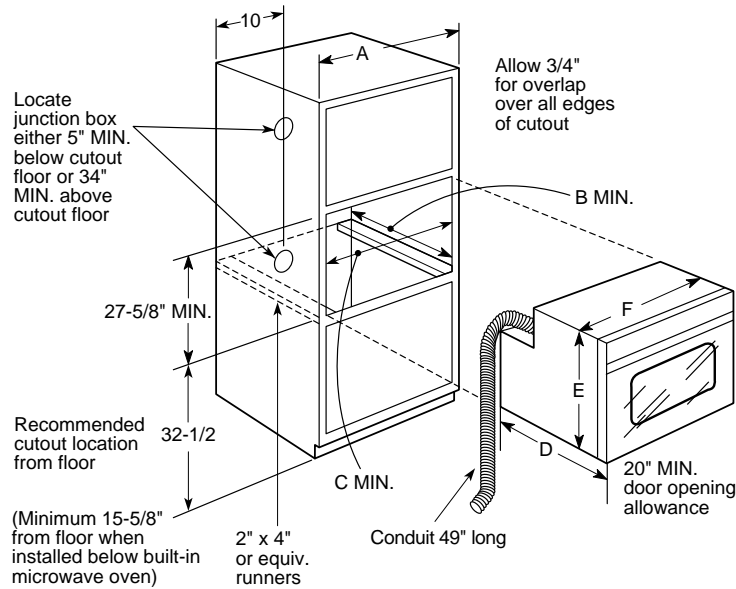




GE Appliances

JKS05BDBB - GE 27" Built-In Single Wall Oven

Dimensions (in inches)



KW Rating	
240V	3.4
208V	2.6
Breaker Size	
20 Amps	

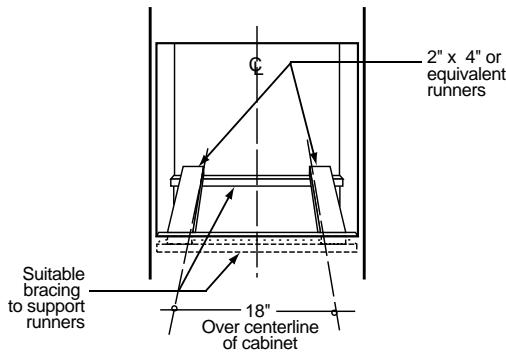
Cabinet	JKP18
A – Cabinet Width Required	27" min.
B – Minimum Cabinet Depth	23-5/8"
C – Minimum Opening Width	25"
Oven	
D – Overall Depth	23-5/8"
E – Overall Height	29"
F – Overall Width	26-5/8"

Note: This model can be installed side-by-side with no less than 30" distance between center to center of each oven.

Installation Information: Before installing, consult installation instructions packed with product for current dimensional data.

Note: Cabinets installed adjacent to wall ovens must have an adhesion spec of at least 194° temperature rating.

For answers to your Monogram®, GE Profile™ or GE appliance questions, visit our website at GEAppliances.com or call GE Answer Center® service, 800.626.2000.



(Must support 275 lbs.)

Specification Created 7/01

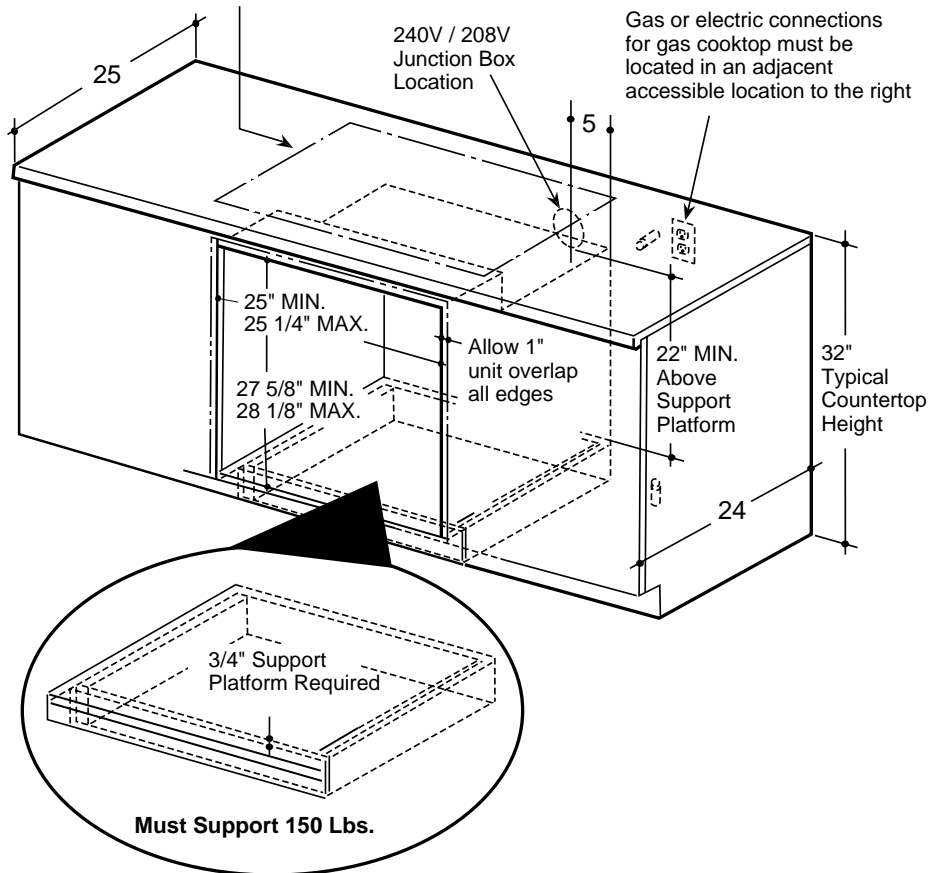


GE Appliances

JKS05BDBB - GE 27" Built-In Single Wall Oven

Dimensions (in inches)

Gas or electric cooktops may be installed over this oven. See cooktop installation instructions for cutout size. See label on top of oven for approved cooktop models.



Note: Oven is rated for use only under 30" gas (standard or sealed burner) and selected 30" electric (CleanDesign and Calrod®) cooktops.

Installation Information: Before installing, consult installation instructions packed with product for current dimensional data.

Specification Created 7/01

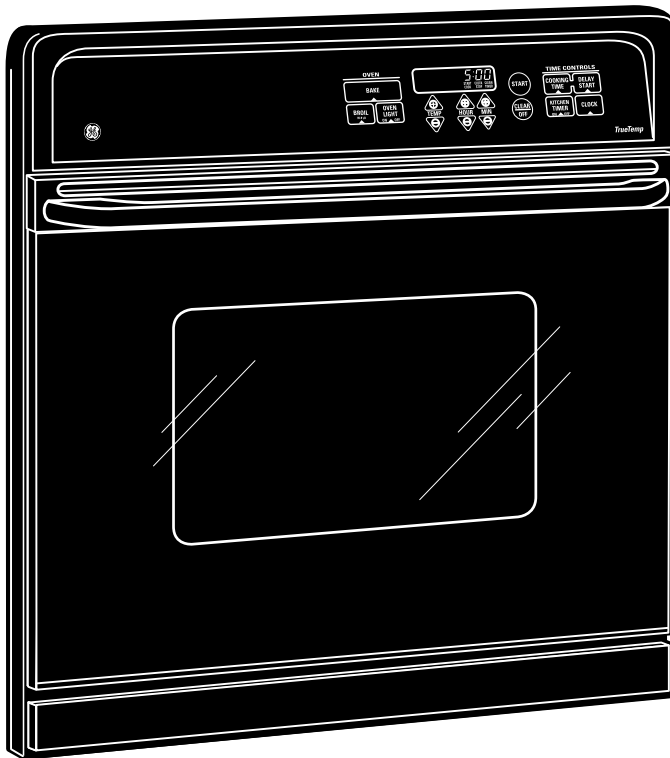


For answers to your Monogram®, GE Profile™ or GE appliance questions, visit our website at GEAppliances.com or call GE Answer Center® service, 800.626.2000.



GE Appliances

JKS05BDBB - GE 27" Built-In Single Wall Oven



Features and Benefits

- Extra-Large 3.9 cu. ft. Capacity Standard Clean Oven
- SmartSet Electronic Oven Controls
- Sabbath Mode
- Variable Broil
- 2 Racks with 4 Embossed Positions
- True Frameless Glass Oven Door with Big ClearView™ Window
- Installation Flexibility
- Model JKS05BDBB - Black on black