



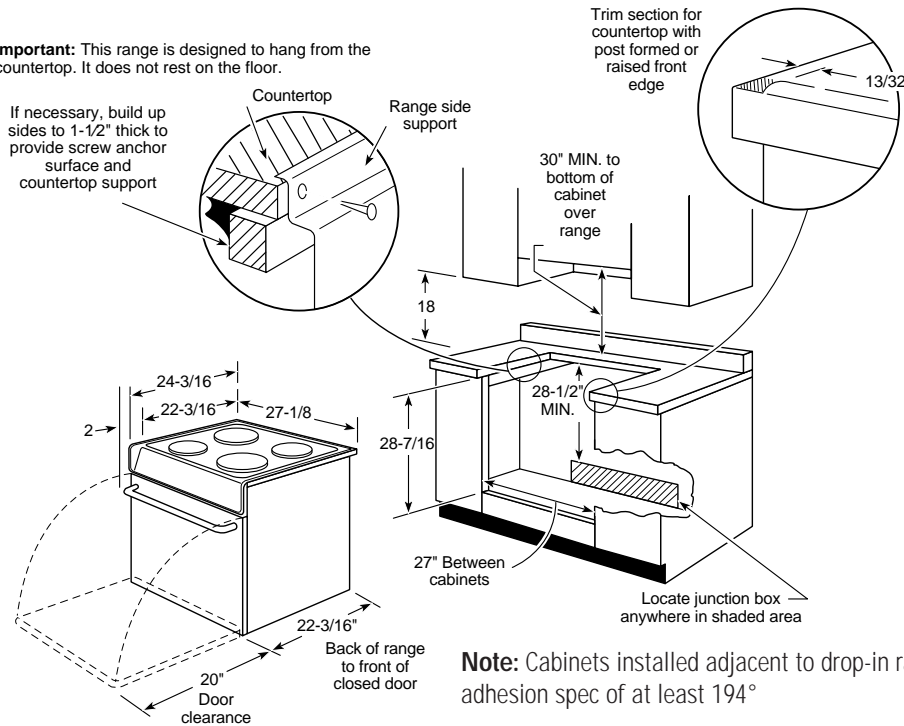
GE Appliances

## JMS08BAAD—Spacemaker™ 27" Drop-In Electric Range

### Dimensions (in inches)

**Important:** This range is designed to hang from the countertop. It does not rest on the floor.

If necessary, build up sides to 1-1/2" thick to provide screw anchor surface and countertop support



**Note:** Cabinets installed adjacent to drop-in ranges must have an adhesion spec of at least 194°

For answers to your Monogram,<sup>®</sup> GE Profile Performance Series,<sup>™</sup> GE Profile<sup>™</sup> or GE appliance questions, call GE Answer Center<sup>®</sup> service, 800.626.2000.



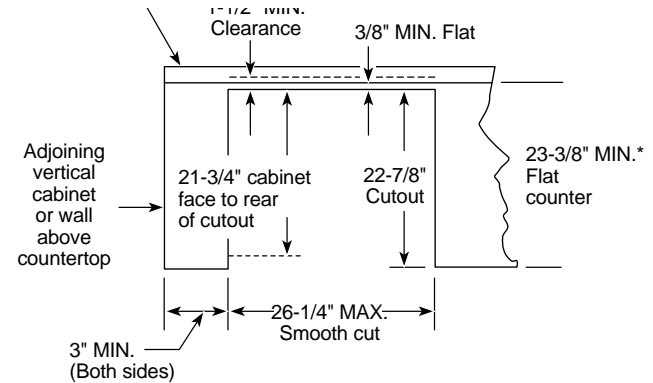
All GE ranges are equipped with an Anti-Tip device. The installation of this device is an important, required step in the installation of the range.



Listed by Underwriters Laboratories

Revised 9/97

### Countertop Cutout Top View



\*If countertop edge is formed, this dimension must extend to flat area

In replacement installation, use JX27R optional backguard, if required

KW Rating	
240V	10.1
208V	7.6

#### Optional Backguard

(Available at additional cost)

JX27RBK = Black

JX27RWH = White

JX27RAD = Almond

**Note:** All 27" Drop-In Electric Ranges conform to U.L. requirements for minimum spacing between range and side walls above countertop.

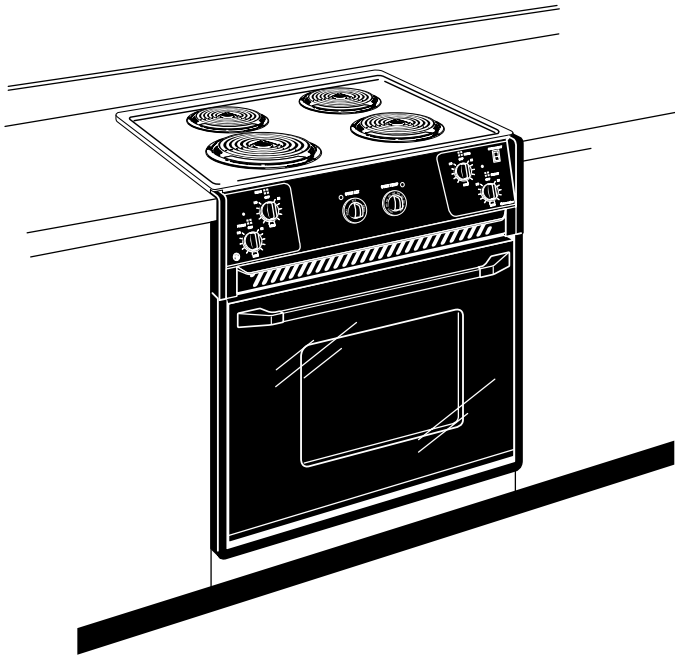
**Installation Information:** Before installing, consult installation instructions (Pub. No. 31-10116) packed with product for current dimensional data.



*GE Appliances*

---

## JMS08BAAD—Spacemaker™ 27" Drop-In Electric Range



### Features and Benefits

- Lift-Up Overhanging Porcelain-Enameled Cooktop
- Standard Clean Oven
- One 8" and Three 6" Plug-In Calrod® Heating Elements
- Chrome Removable One-Piece Drip Bowls
- 2 Oven Shelves
- Rotary Oven Controls
- Interior Oven Light
- Sure Grip Designer-Style Handle
- Frameless Glass Oven Door With Big View Window
- Model JMS08BAWH—White
- Model JMS08BAAD—Almond