

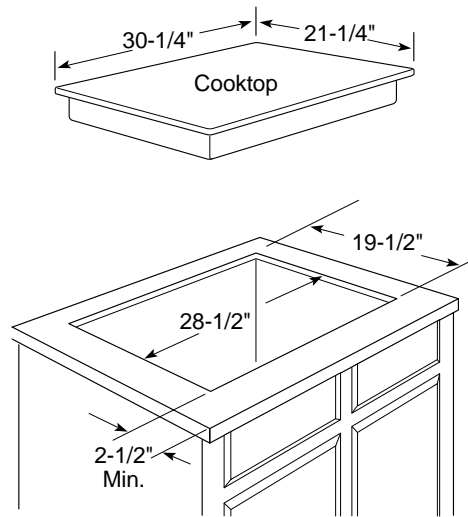
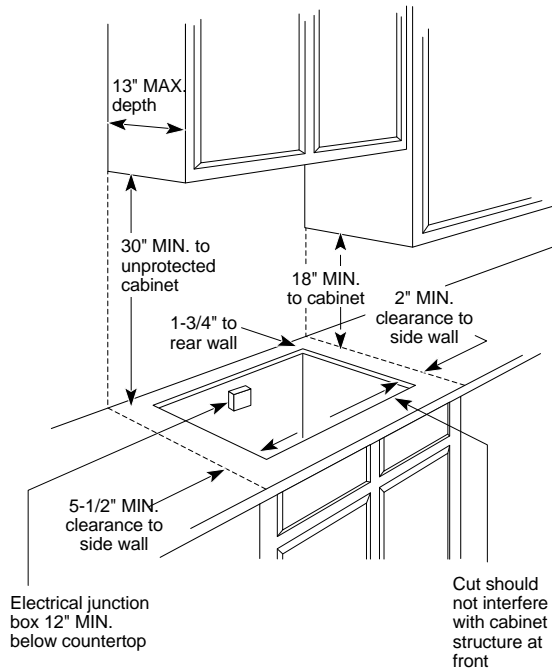


GE Appliances

## JP326CV—GE Built-In Electric Cooktop

Counter Installation (in inches)

Cooktop Dimensions (in inches)



KW Rating	
240V	7.4
208V	5.6
Breaker Size	
40 Amps <sup>†</sup>	

<sup>†</sup>**Note:** Check local codes for required breaker size

**Note:** Built-In Electric Cooktops require 5" free area between the bottom of the cooktop and any combustible material, i.e., shelving. Requires an 18" minimum from cooktop to adjacent overhead cabinets. Units are furnished with a 48" flexible armored cable.

**Note:** If installed with a GE Telescopic Downdraft System, consult both cooktop and downdraft installation instructions packed with product before installing. Cooktop gas/electric supply may need to be re-routed to install downdraft.

**Filler Trim Kit:** When replacing a GE Model Cooktop JP651, JP661 with Model JP326WV, use this one-piece trim kit (JXTR30W) to fill in over-size hole left by JP651 or JP661. Available at additional cost.

**Installation With Single Wall Oven Information:** This model is approved for use over select GE 27" or 30" Single Wall Ovens. Refer to cooktop and wall oven installation instructions packed with product for current dimensional data.

**Installation Information:** Before installing, consult installation instructions [Pub. No. 31-10114] packed with product for current dimensional data.

For answers to your Monogram,<sup>®</sup>  
GE Profile Performance Series,<sup>™</sup>  
GE Profile<sup>™</sup> or GE appliance questions, call  
GE Answer Center<sup>®</sup> service, 800.626.2000.

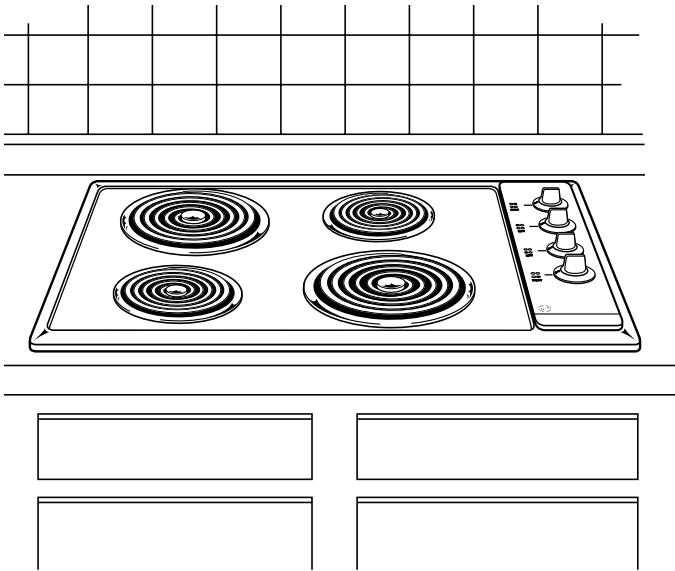




*GE Appliances*

---

## ***JP326CV—GE Built-In Electric Cooktop***



### ***Features and Benefits***

- Brushed-Chrome Model
- 30" Porcelain-Enameled Lift-Up Cooktop
- Two 8" and Two 6" Plug-In Calrod® Heating Elements
- Glass Control Panel
- Removable One-Piece Chrome Drip Bowls
- Heating Element "On" Indicator Light
- Also Available In Black on black as Model JP326BV, White on white as Model JP326WV and Almond on almond as Model JP326AV