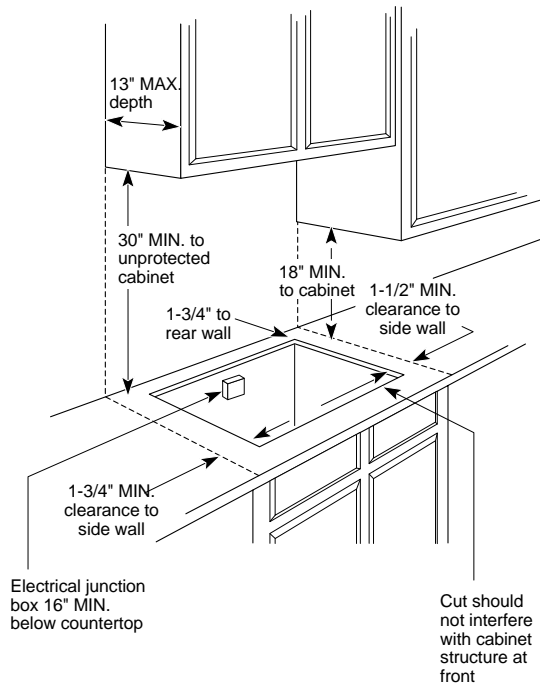




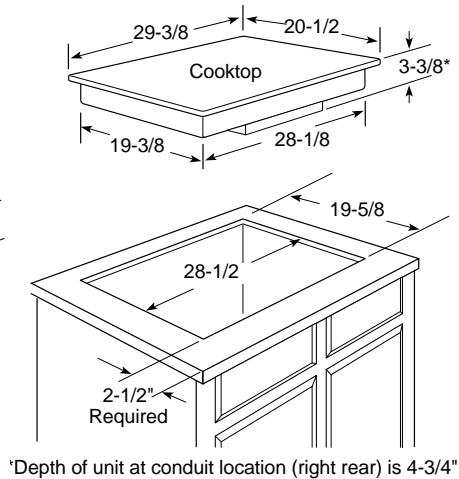
GE Appliances

JP340WAWW—30" GE CleanDesign Cooktop

Counter Installation (in inches)



Cooktop Dimensions (in inches)



KW Rating	
240V	6.4
208V	4.8
Breaker Size	
30 Amps†	

†Note: Check local codes for required breaker size

Note: If installed with a GE Telescopic Downdraft System, consult both cooktop and downdraft installation instructions packed with product before installing. Cooktop gas/electric supply may need to be re-routed to install downdraft. **A minimum 26" deep cabinet is required for this installation. Most standard cabinets are only 24" deep.**

Installation Information: Requires a 5" free area between the bottom of the cooktop to any combustible material, i.e., shelving. Free area not required when installing wall oven underneath cooktop. Refer to installation instructions. Requires an 18" minimum from cooktop to adjacent overhead cabinets. Units are furnished with a 48" flexible armored cable.

Before installing, consult installation instructions packed with product for current dimensional data.

36" CleanDesign cooktops are approved for use over GE 30" Single Wall Ovens only.

30" CleanDesign cooktops are approved for use over select GE 27" or 30" Single Wall Ovens.

Refer to cooktop and wall oven installation instructions packed with wall oven for current dimensional data.

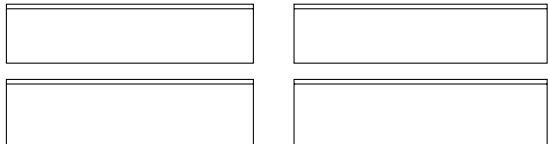
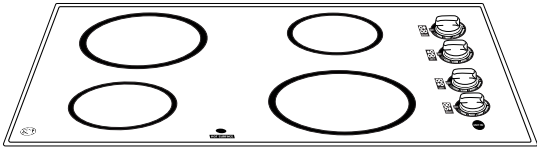
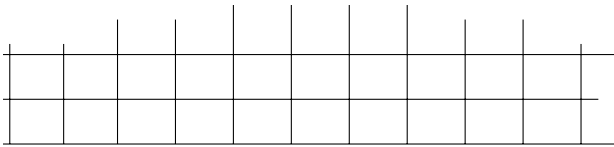
For answers to your Monogram,[®] GE Profile Performance Series,[™] GE Profile[™] or GE appliance questions, call GE Answer Center[®] service, 800.626.2000.





GE Appliances

JP340WAWW—30" GE CleanDesign Cooktop



Features and Benefits

- 30" Frameless Smooth-Surface Glass-Ceramic Cooktop
- 4 Ribbon Heating Elements
- Two 8" and Two 6" Ribbon Heating Elements
- Hot Surface Indicator Light
- Fingerprint and Scratch Resistant Patterned Glass Cooktop
- Model JP340WAWW—White on White
- Model JP340BABB—Black on Black