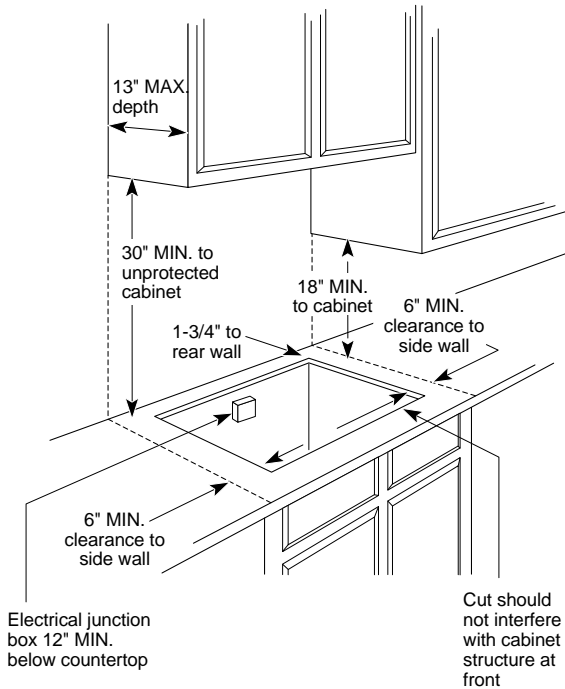




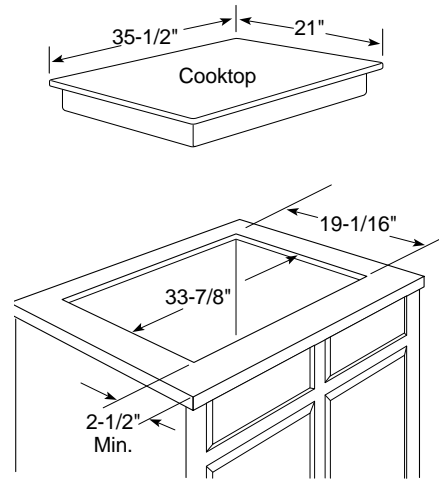
GE Appliances

## JP626AV—GE Built-In Electric Cooktop

Counter Installation (in inches)



Cooktop Dimensions (in inches)



KW Rating	
240V	7.4
208V	5.6
Breaker Size	
40 Amps <sup>†</sup>	

<sup>†</sup>**Note:** Check local codes for required breaker size

**Note:** Built-In Electric Cooktops require 5" free area between the bottom of the cooktop and any combustible material, i.e., shelving. Requires an 18" minimum from cooktop to adjacent overhead cabinets. Units are furnished with a 48" flexible armored cable.

**Note:** If installed with a GE Telescopic Downdraft System, consult both cooktop and downdraft installation instructions packed with product before installing. Cooktop gas/electric supply may need to be re-routed to install downdraft.

**Installation With Single Wall Oven Information:** This model is approved for use over a GE 30" Single Wall Oven only. Refer to cooktop and wall oven installation instructions packed with product or installation instructions packed with product for current dimensional data.

**Installation Information:** Before installing, consult installation instructions [Pub. No. 31-10150] packed with product for current dimensional data.

For answers to your Monogram<sup>®</sup>, GE Profile Performance Series<sup>™</sup>, GE Profile<sup>™</sup> or GE appliance questions, call GE Answer Center<sup>®</sup> service, 800.626.2000.





*GE Appliances*

---

## ***JP626AV—GE Built-In Electric Cooktop***



### ***Features and Benefits***

- Almond on almond Model
- 36" Porcelain-Enameled Lift-Up Cooktop
- Two 8" and Two 6" Plug-In Calrod® Heating Elements
- One-Piece Chrome Drip Bowls
- Up-Front Color-Matched Glass Control Panel
- Infinite Heat Rotary Controls
- Removable One-Piece Chrome Drip Bowls
- Heating Element "On" Indicator Light
- Also Available In White on white as Model JP626WV