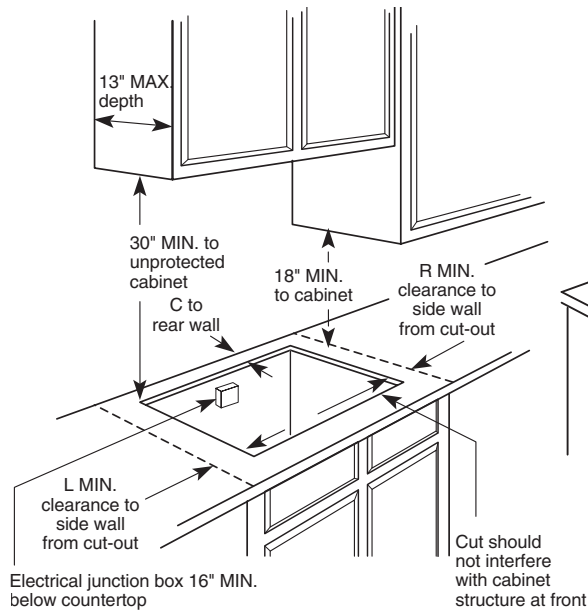




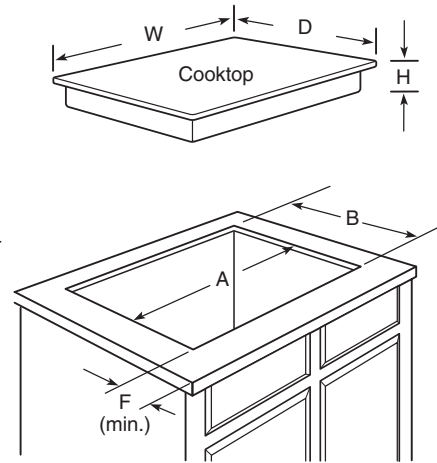
GE Appliances

JP626WF/CF/BJ – GE® 36" Built-In Electric Cooktop

Counter Installation (in inches)



Cooktop Dimensions (in inches)



KW Rating	
240V	7.4
208V	5.6
Breaker Size	
240V	40 Amps [†]
208V	40 Amps [†]

[†]Note: Check local codes for required breaker size

Built-In Electric Cooktops

Required free area between the bottom of the cooktop and any combustible material, i.e., shelving is 5" minimum. Free area not required when installing wall oven underneath. Requires an 18" minimum from cooktop to adjacent overhead cabinets. Units are furnished with a 48" flexible armored cable.

JP626BJ is approved for use over GE 30" Single Wall Ovens only. Refer to cooktop and wall oven installation instructions packed with product for current dimensional data.

Note: If installed with a GE Telescopic Downdraft System, consult both cooktop and downdraft installation instructions packed with product before installing. Cooktop gas/electric supply may need to be re-routed to install downdraft.

Note: The countertop must be at least 26" deep with a flat surface area of 23-1/2" or more, front to back. In addition, other clearances to the front edge of the countertop must be considered.

Dimensions (in inches)

Overall			Cutout		Minimum Spacing To Nearest Combustible Wall			To Edge of Front Counter (Min.)
W	D	H	A	B	C	R	L	F
35-1/2	21	3	33-7/8	19-1/8	2-1/2	3-3/4	3-3/4	2-1/2

Installation Information:

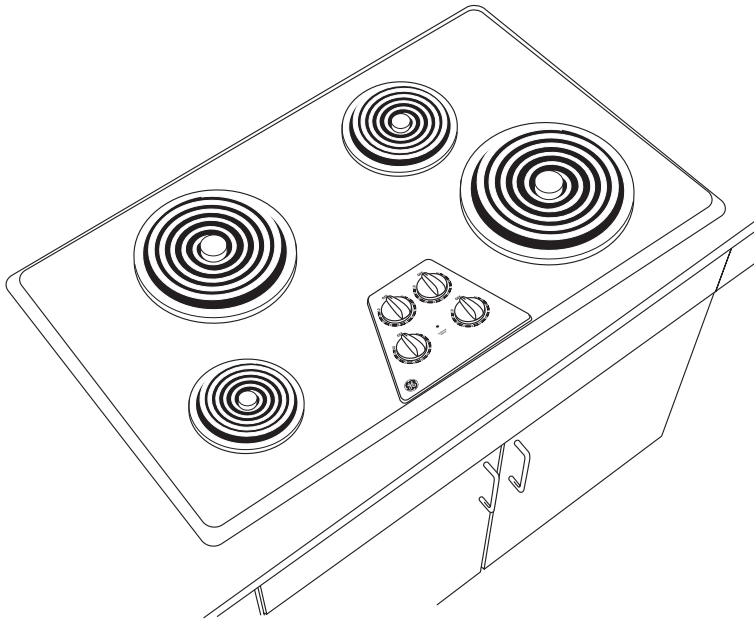
Before installing, consult installation instructions packed with product for current dimensional data.





GE Appliances

JP626WF/CF/BJ – GE® 36" Built-In Electric Cooktop



Features and Benefits

- 36" Porcelain-Enameled Lift-Up Cooktop
- Two 8" and Two 6" Plug-In Calrod® Heating Elements
- Up-Front Color-Matched Glass Control Panel
- Infinite Heat Rotary Controls
- Chrome Removable One-Piece Drip Bowls
- Heating Element "On" Indicator Light
- Model JP626WFWW – White on white
- Model JP626CFCC – Bisque on bisque
- Model JP626BJBB – Black on black