

JP960SK

GE Profile™ 36" Built-In CleanDesign Electric Cooktop

Dimensions and Installation Information

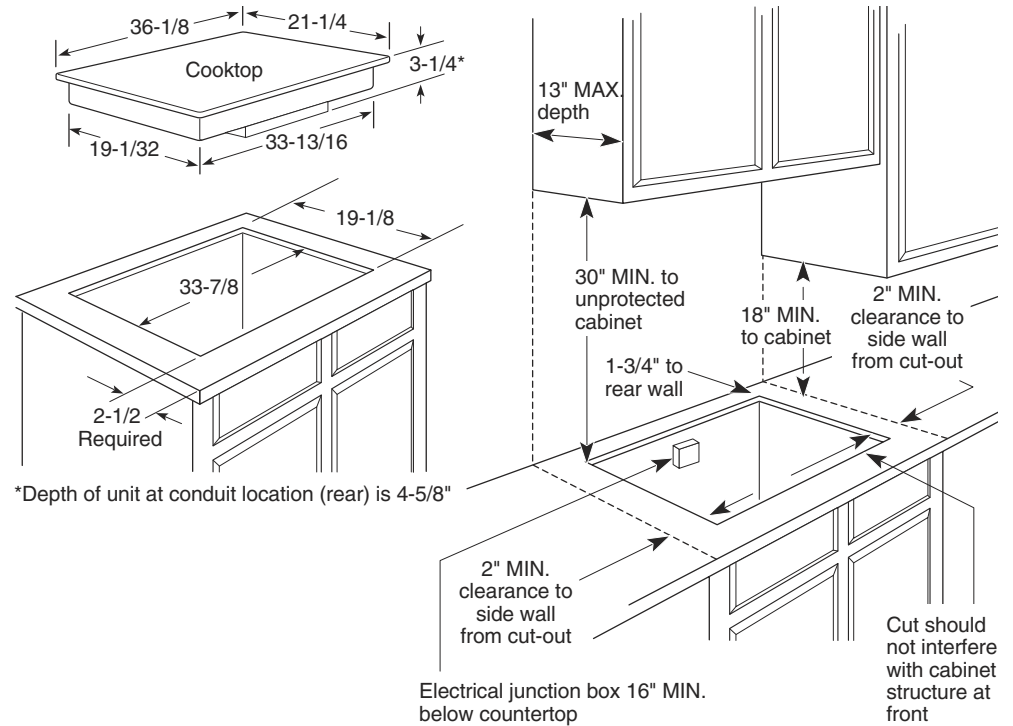
KW Rating	
240V	9.6
208V	7.2
Breaker Size	
240V	40 Amps†
208V	40 Amps†

†**Note:** Check local codes for required breaker size

Important: Requires a 5" free area between the bottom of the cooktop to any combustible material, i.e., shelving. Free area not required when installing wall oven underneath cooktop. Refer to installation instructions. Requires an 18" minimum from cooktop to adjacent overhead cabinets. Units are furnished with a 48" flexible armored cable.

Note: 36" Ribbon cooktops are approved for use over GE 30" Single Wall Ovens and Warming Drawers only. Refer to cooktop and wall oven/warming drawer installation instructions packed with product for current dimensional data. If installed with a GE Profile™ Telescopic Downdraft System, consult both the cooktop and downdraft installation instructions packed with product before installing. Cooktop gas/electric supply may need to be re-routed to install downdraft. The countertop must be at least 26" deep with a flat surface area of 23-1/2" or more, front to back. In addition, other clearances to the front edge of the countertop must be considered, especially on raised bullnose countertops. Consult cabinet and countertop manufacturer's specs for flush mount installation prior to install.

Installation Information: Before installing, consult installation instructions packed with product for current dimensional data.



For answers to your Monogram®, GE Profile™ or GE® appliance questions, visit our website at ge.com or call GE Answer Center® service, 800.626.2000.

Dimension and installation information are shown in inches.



imagination at work



Specification Created 12/04

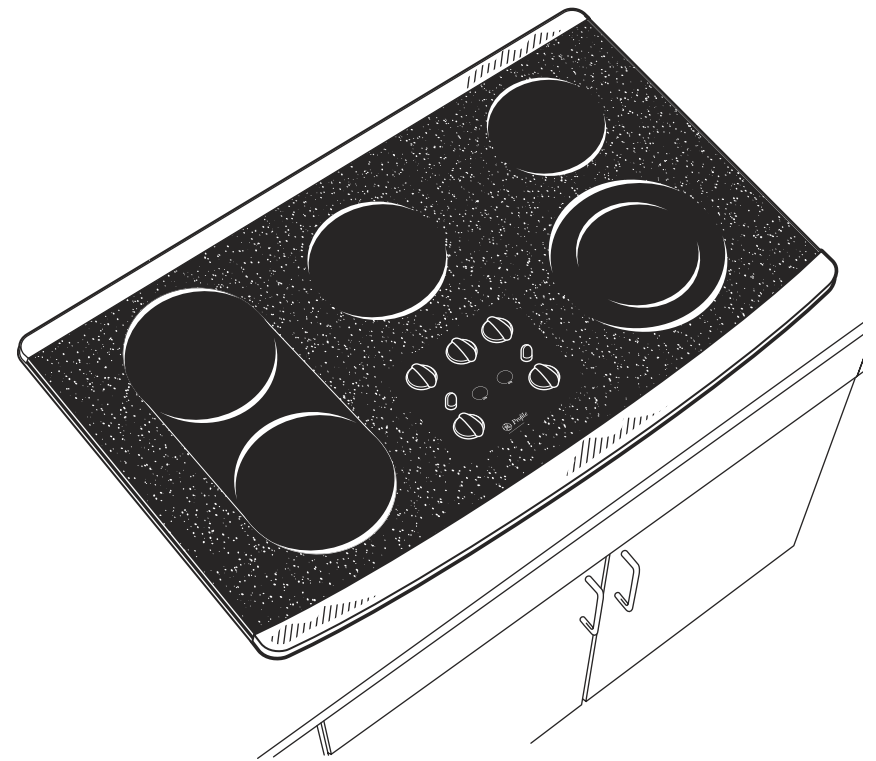
220569

JP960SK

GE Profile™ 36" Built-In CleanDesign Electric Cooktop

Features and Benefits

- Ceramic glass cooktop - A smooth cooktop surface makes cleaning quick and easy
- Ribbon heating elements - Provide powerful heat beneath a smooth glass surface to ensure even heat and fast warm-up times
- Bridge element - Combines three cooktop elements into one large cooking area, ideal for oversized cooking pans
- Frameless design - A smooth and seamless cooktop surface makes cleaning quick and easy
- Upfront controls - Controls are placed within easy reach at the front center of the cooktop
- Control lock capability - Provides the ability to lock the oven's controls, helping protect from accidental operation
- Hot surface indicator lights - Illuminate when the cooking surface is active and hot, adding convenience and safe caution
- Heating element "On" light - Illuminates when the cooking surface is activated
- Model JP960SKSS - Stainless steel



imagination at work

Specification Created 12/04

220569