

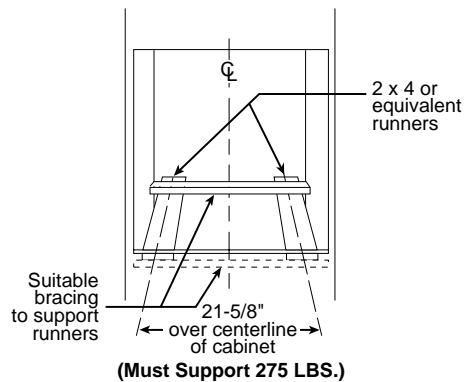
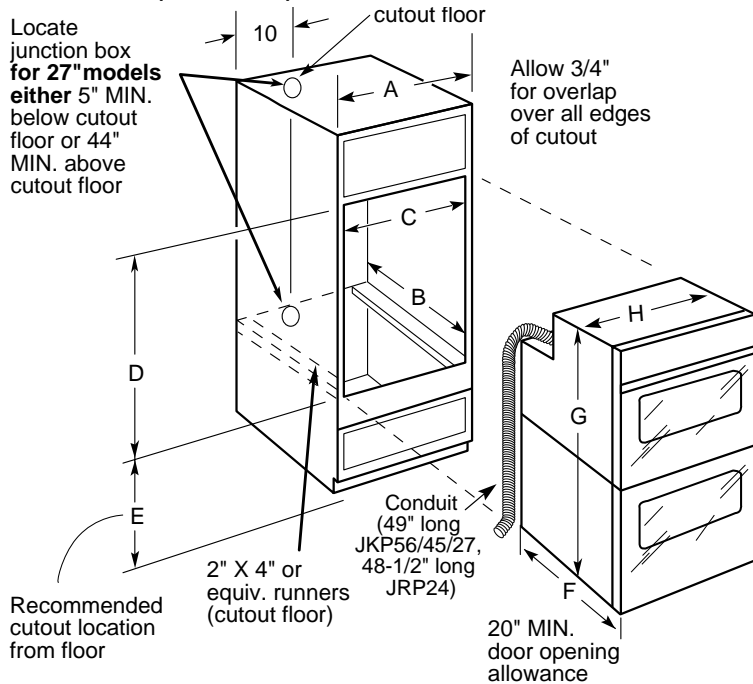


GE Appliances

JRP24BDBB—GE 24" Double Wall Oven

Dimensions (in inches)

Locate junction box for 27" models either 5" MIN. below cutout floor or 44" MIN. above cutout floor



KW Rating	
240V	7.1
208V	5.3
Breaker Size	
30 Amps	

Cabinet	JRP24
A – Cabinet Width Required	24" min.
B – Minimum Cabinet Depth	23-1/2"
C – Minimum Opening Width	22-1/2"
D – Opening Height	48-1/8" min.
E – Recommended Minimum Cutout Location from Floor	14"
Oven	
F – Overall Depth	23-1/8"
G – Overall Height	48-5/8"
H – Overall Width	23-3/4"

Installation Information: Before installing, consult installation instructions packed with product for current dimensional data.

Note: Cabinets installed adjacent to wall ovens must have an adhesion spec of at least 194° temperature rating

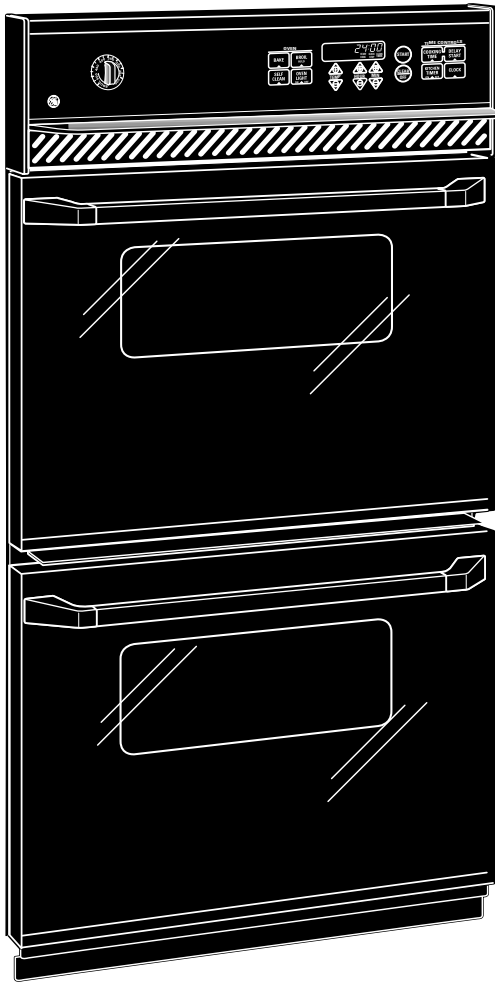
For answers to your Monogram®, GE Profile™ or GE appliance questions, visit our website at GEAppliances.com or call GE Answer Center® service, 800.626.2000.





GE Appliances

JRP24BDBB—GE 24" Double Wall Oven



Features and Benefits

- 2 Extra-Large 3.9 cu. ft. Capacity Ovens
- SmartSet Electronic Oven Controls (Upper Oven)
- Variable Broil/Six-Pass Broil Element (Upper)
- 2 Oven Racks with 4 Embossed Positions Each Oven
- True Frameless Glass Oven Doors with Big ClearView™ Windows
- Installation Flexibility
- Model JRP24BDBB - Black on black