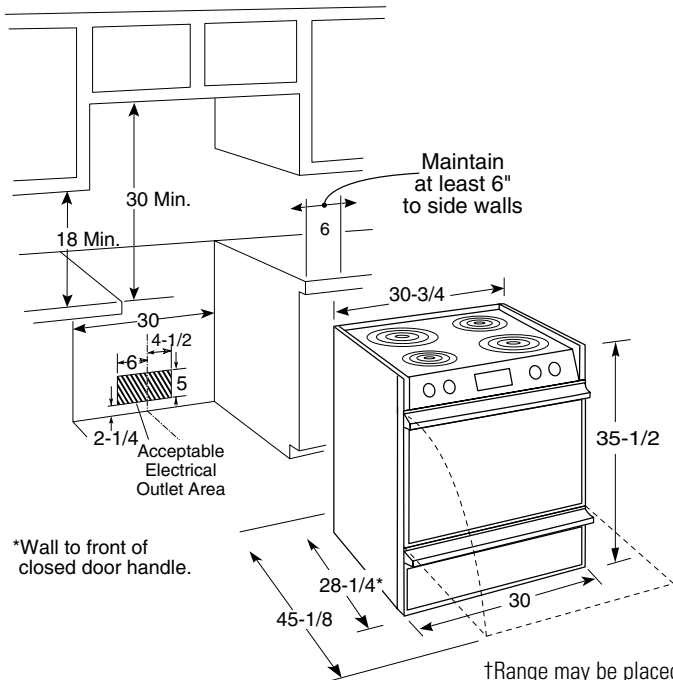




GE Appliances

JSP34WW—30" Slide-In Electric Range

Dimensions (in inches)

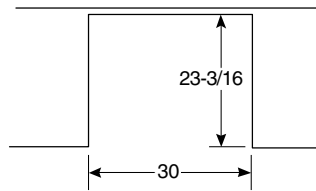


*Wall to front of closed door handle.

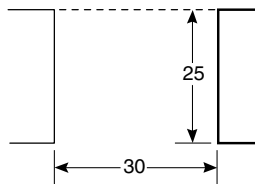
†Range may be placed with 0" clearance (flush) at the back wall and side walls if the range side trims extend beyond the cabinet fronts at least 1/4". (Self-clean models only).

For answers to your Monogram®, GE Profile Performance Series™, GE Profile™ or GE appliance questions, call GE Answer Center® service, 800.626.2000.

If you are NOT using the optional Filler or Backguard:



If you are using the optional Filler or Backguard:



KW Rating	
240V	10.8
208V	8.1

Optional Kits (Available at additional cost)

- JXS28—Rear Filler Strip Kit
- JXS31—White Accessory Backguard
- JXS32—Brushed-Chrome Accessory Backguard
- JXS33—Almond Accessory Backguard
- JXS34—Black Accessory Backguard
- JXS40—Endcap kit to accommodate replacement where countertop may already be notched.
- JXS52BB—Lower Trim Kit (Black)
- JXS53WW—Lower Trim Kit (White)
- JXS54AA—Lower Trim Kit (Almond)

Note: All 30" Slide-In Ranges conform to U.L. requirements for 0" spacing from range to adjacent walls below countertop. To reduce possibility of scorching of the side wall adjacent to the heating elements, it is recommended a minimum of 6" spacing from adjacent side walls be allowed for possible extended, high-heat, no-load operation of heating elements.

Receptacle Location: For all 30" Slide-In Ranges, locally approved flexible service cord or conduit must be used because terminals are not accessible after range installation. See shaded area in drawing for location of electrical outlet box. Recommended outlet locations allow range to be installed directly against rear wall.

Note: Cabinets installed adjacent to slide-in ranges must have an adhesion spec of at least 194°.

Installation Information: Before installing, consult installation instructions packed with product for current dimensional data.

Specification Revised 8/00



All GE ranges are equipped with an Anti-Tip device. The installation of this device is an important, required step in the installation of the range.

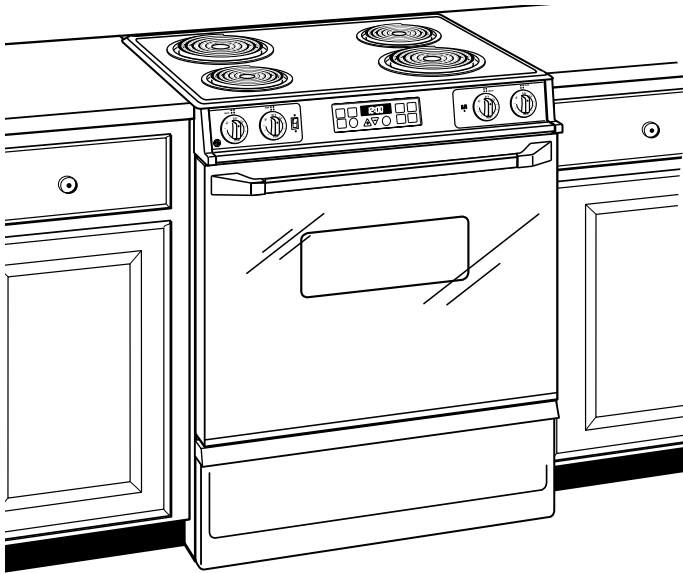


Listed by Underwriters Laboratories



GE Appliances

JSP34WW—30" Slide-In Electric Range



Features and Benefits

- White on white Model
- Lift-Up Overhanging Porcelain-Enameled Cooktop
- Two 8" and Two 6" Plug-In Calrod® Heating Elements
- Removable Chrome One-Piece Drip Bowls
- Self-Cleaning Oven With Automatic Oven Door Lock
- SmartSet Electronic Oven Control
- Electronic Clock and Kitchen Timer
- Delay Bake Option With Cook and Hold
- Auto Oven Shut-Off With Override
- Broiler Pan With Grid
- 2 Oven Shelves
- Interior Oven Light
- Frameless Glass Oven Door With Window
- Color-Matched Storage Drawer
- Designer-Style Handle
- Optional Backguard Available At Additional Cost
- Also Available In Almond on almond as Model JSP34AW and In Black on black as Model JSP34BW