

JSP39SN

GE® 30" Slide-In Electric Range with Self-Cleaning Oven

Dimensions and Installation Information (in inches)

KW Rating	
240V	11.9
208V	8.9

Note: Cabinets installed adjacent to slide-in ranges must have an adhesion spec of at least 194° temperature rating.

Note: To reduce the possibility of scorching the side walls above the countertop when no load is present on burners, it is recommended that a minimum 6" spacing from adjacent side wall be allowed for possible extended high-heat element operation.

Receptacle Locations: For all 30" Slide-In Ranges locally approved flexible service cord or conduit must be used because terminals are not accessible after range installation. See shaded area in drawing for location of electrical outlet box. Recommended outlet locations allow range to be installed directly against rear wall.

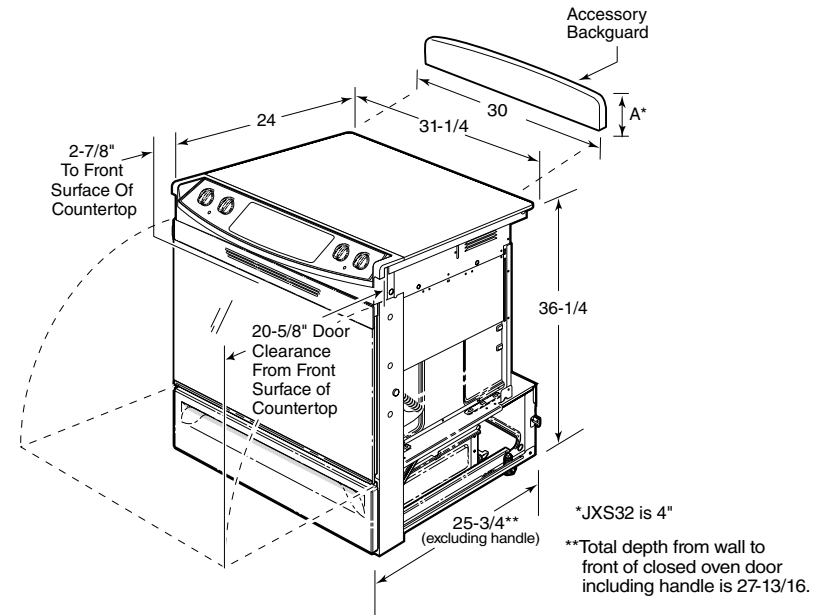
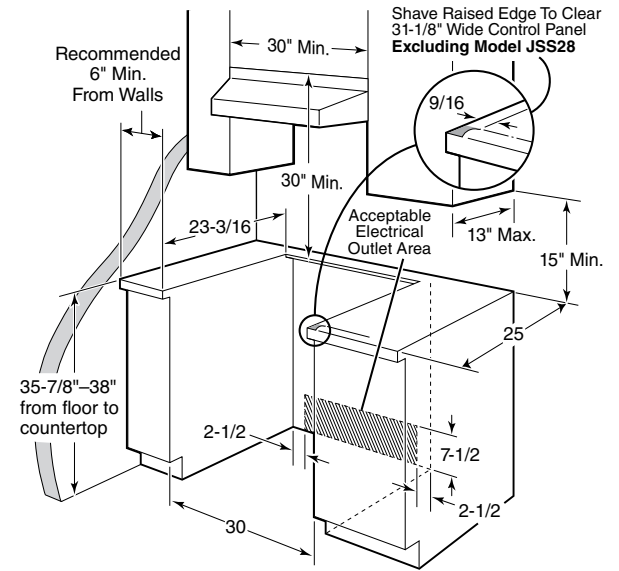
Optional Kits For Slide-In Electric Ranges
(Available At Additional Cost)

Accessory Backguards
(Attaches to the back of range as a backguard when unit is installed in 30" free-standing cutout)
JXS32SS (Stainless) - 4" High
JXS32BB (Black) - 4" High

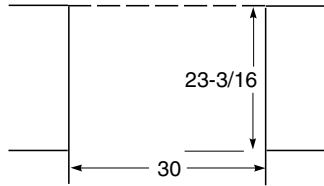
Body Sides
(Slide-in ranges are sold without sides installed. Can be installed on either left or right when unit has one exposed side [no cabinet adjacent]. Kit contains 1 body side)
JXS77BB (Black)

Rear Filler Strip
WB07T10680 - Black Filler Strip Assembly

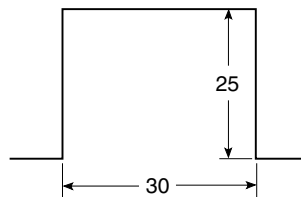
Optional Lower Trim Kits
(If counter height is greater than 36.5", a lower trim kit is recommended to extend the useful height to 38" maximum)
JXS56BB - Black



If you are NOT using the optional Filler or Backguard:



If you are using the optional Filler or Backguard:



Dimension and installation information are shown in inches.



imagination at work

For answers to your Monogram® or GE® appliance questions, visit our website at geappliances.com or call GE Answer Center® service, 800.626.2000.



All GE ranges are equipped with an Anti-Tip device. The installation of this device is an important, required step in the installation of the range.



Listed by Underwriters Laboratories

Specification Revised 4/13

320643

JSP39SN

GE® 30" Slide-In Electric Range with Self-Cleaning Oven

Features and Benefits

- Self-Clean Oven - Conveniently cleans the oven cavity without need of scrubbing
- Electronic Controls - Provide a smooth easy-to-use, easy-to-clean surface
- Coil Heating Elements - Provides consistent and even heat on the cooktop with a plug-in element that is removable for easy cleaning
- 4.4 cu. ft. Oven Capacity - Enough room to cook an entire meal at once
- Big Hearth Window - Features an enhanced shape to add an elegant appearance and make viewing trouble-free
- Frameless Glass Oven Door - Offers an easy-to-clean and stylish design that blends seamlessly into existing cabinetry
- Dual Element Bake - Alternates the upper broiling element and the lower baking element for even heating and optimal baking results
- Lift-Up Porcelain Cooktop - Makes spills and messes under the cooktop easily accessible and within reach
- Chrome Drip Bowls - Contain minor spills and are removable for easy cleaning
- Audible Preheat Signal - Features an audible signal that activates when the oven has reached the desired cooking temperature
- Model JSP39SNSS - Stainless steel



imagination at work