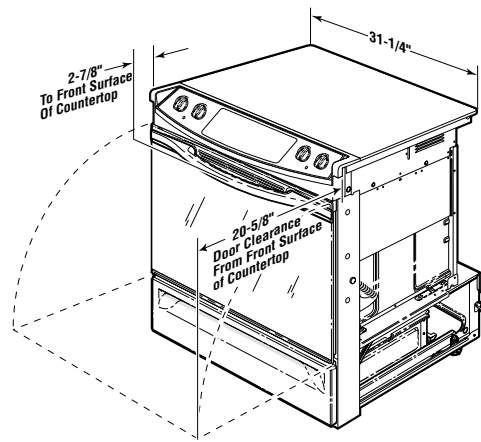




Profile™

# JSP46WD/CD/BD—GE Profile™ 30" Slide-In Electric Range

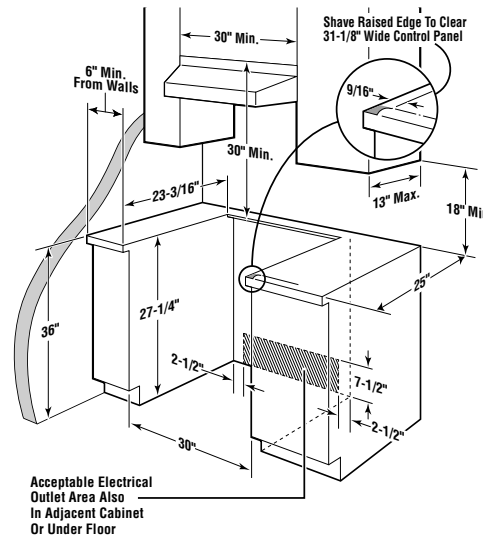
## Counter Installation (in inches)



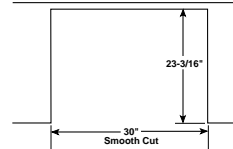
KW Rating	
240V	11.2
208V	8.4
Breaker Size	
240V	40 Amps†
208V	40 Amps†

†Note: Check local codes for required breaker size

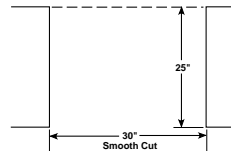
## Cooktop Dimensions (in inches)



If you are NOT using the optional Filler or Backguard:



If you are using the optional Filler or Backguard:



**Note:** Cabinets installed adjacent to slide-in electric ranges must have an adhesion spec of at least 194°F temperature rating.

**Note:** All 30" Slide-In Ranges conform to U.L. requirements for 0" spacing from range to adjacent walls below countertop. To reduce possibility of scorching the side walls above the countertop when no load is present on burners, it is recommended that a minimum 6" spacing from adjacent side wall be allowed for possible extended high-heat element operation.

**Receptacle Locations:** For all 30" Slide-In Ranges locally approved flexible service cord or conduit must be used because terminals are not accessible after range installation. See shaded area in drawing for location of electrical outlet box. Recommended outlet locations allow range to be installed directly against rear wall.

## Optional Kits for Slide-In Electric Ranges (Models JS966, JSP56 and JSP46) (Available At Additional Cost)

### Maintop Filler

(Fills gap between cooktop and wall when unit is installed in 30" free-standing cutout)

- JXS66WW—White
- JXS66CC—Bisque
- JXS66BB—Black

### Accessory Backguards

(Attaches to the back of range as a backguard when unit is installed in 30" free-standing cutout)

- JXS39SS—Stainless
- JXS36WW—White
- JXS36CC—Bisque
- JXS36BB—Black

### Body Sides

(Slide-in ranges are sold without sides installed. Can be installed on either left or right when unit has one exposed side [no cabinet adjacent]. Kit contains 1 body side)

- JXS76WW—White
- JXS76CC—Bisque
- JXS76BB—Black

### Vertical Side Trim Kits

(If cabinet cutout width is more than 30", a vertical side trim kit may be used to close the gap between the range and cabinet)

- JXS86WW—White
- JXS86CC—Bisque
- JXS86BB—Black

### Lower Trim Kits

(If counter height is greater than 36.5", a lower trim kit is recommended to extend the useful height to 38" maximum)

- JXS56WW—White
- JXS56CC—Bisque
- JXS56BB—Black

For answers to your Monogram®, GE Profile™ or GE appliance questions, visit our website at [GEAppliances.com](http://GEAppliances.com) or call GE Answer Center® service, 800.626.2000.

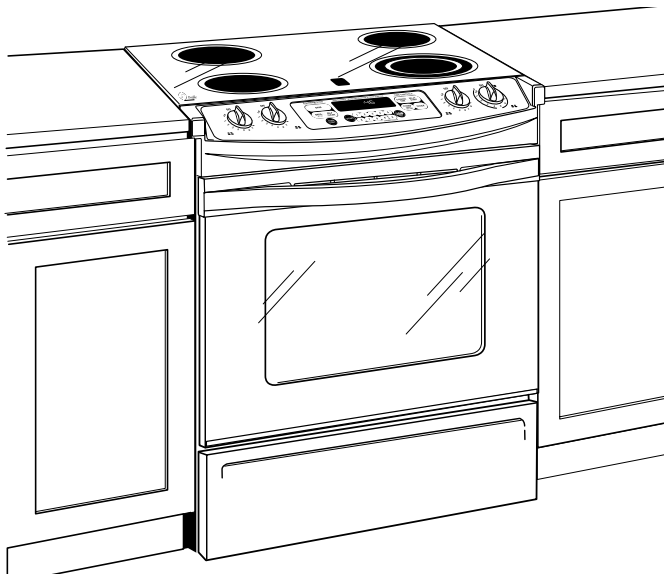


All GE ranges are equipped with an Anti-Tip device. The installation of this device is an important, required step in the installation of the range.



*Profile™*

## JSP46WD/CD/BD—GE Profile™ 30" Slide-In Electric Range



### Features and Benefits

- Frameless Ceramic Glass Cooktop
- Self-Cleaning Oven with Automatic Oven Door Lock
- Variable Cleaning Time with Delay Clean Option
- One 6", One 6"/9" Dual Element and Two 8" Ribbon Heating Elements
- SmartSet Electronic Oven Controls
- Digital Electronic Clock and Kitchen Timer
- Delay Bake option with Cook and Hold
- 2 Oven Shelves
- Automatic Oven Shut-Off with Override
- Hot Surface Indicator Lights
- Broiler Pan with Grid
- Interior Oven Light
- Storage Drawer
- Integrated Designer-Style Handle
- Frameless Glass Oven Door with Big-View Window
- Model JSP46WDWW—White on White
- Model JSP46CDCC—Bisque
- Model JSP46BDBB—Black on Black