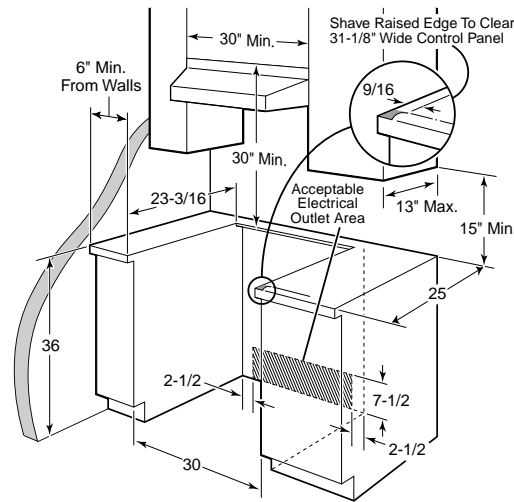
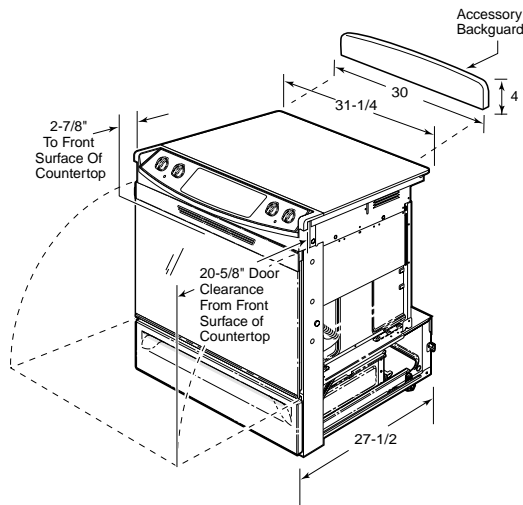




Profile™

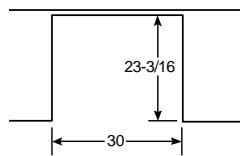
JSP57BF/CF/WF – GE Profile™ 30" Slide-In Electric Range

Dimensions (in inches)

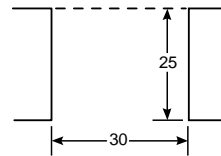


KW Rating	
240V	12.0
208V	9.0
Breaker Size	
240V	40 Amps
208V	40 Amps

If you are NOT using the optional Filler or Backguard:



If you are using the optional Filler or Backguard:



All GE ranges are equipped with an Anti-Tip device. The installation of this device is an important, required step in the installation of the range.



Listed by Underwriters Laboratories



Note: Cabinets installed adjacent to slide-in electric ranges must have an adhesion spec of at least 194°F temperature rating.

Note: All 30" Slide-In Ranges conform to U.L. requirements for 0" spacing from range to adjacent walls below countertop. To reduce possibility of scorching the side walls above the countertop when no load is present on burners, it is recommended that a minimum 6" spacing from adjacent side wall be allowed for possible extended high-heat element operation.

Receptacle Locations: For all 30" Slide-In Ranges locally approved flexible service cord or conduit must be used because terminals are not accessible after range installation. See shaded area in drawing for location of electrical outlet box. Recommended outlet locations allow range to be installed directly against rear wall.

Optional Kits for Slide-In Electric Ranges (Available at additional costs)

Optional Top Filler Kits

JXS66VWW – White
JXS66CC – Bisque
JXS66BB – Black

Accessory Backguards

(Attaches to the back of range as a backguard when unit is installed in 30" free-standing cutout)
JXS39SS – Stainless
JXS36VWW – White
JXS36CC – Bisque
JXS36BB – Black

Body Sides

(Slide-in ranges are sold without sides installed. Can be installed on either left or right when unit has one exposed side [no cabinet adjacent]. Kit contains 1 body side)
JXS76VWW – White
JXS76CC – Bisque
JXS76BB – Black

Vertical Side Trim Kits

(If cabinet cutout width is more than 30", a vertical side trim kit may be used to close the gap between the range and cabinet)
JXS86VWW – White
JXS86CC – Bisque
JXS86BB – Black

Optional Lower Trim Kits

(If counter height is greater than 36.5", a lower trim kit is recommended to extend the useful height to 38" maximum)
JXS56VWW – White
JXS56CC – Bisque
JXS56BB – Black

Installation Information: Before installing, consult installation instructions packed with product for current dimensional data.

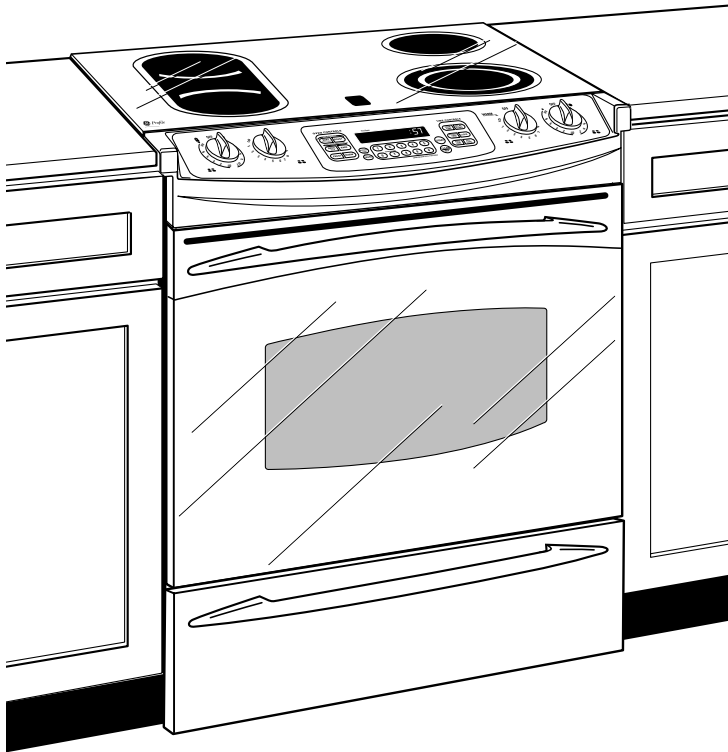
Specification Created 7/02

For answers to your Monogram® GE Profile™ or GE appliance questions, visit our website at GEAppliances.com or call GE Answer Center® service, 800.626.2000.



Profile™

JSP57BF/CF/WF – GE Profile™ 30" Slide-In Electric Range



Features and Benefits

- Convection Self-Cleaning Super Large Capacity Oven with Automatic Oven Door Lock
- Precise Air™ Convection System
- Convection Bake and Convection Roast
- Auto Recipe™ Conversion
- True Frameless Glass Oven Door with Big ClearView™ Window
- One 6", One Dual 6"/9" Element and Two 7" Ribbon Heating Elements with Bridge Element
- TrueTemp™ System
- SmartSet Electronic Oven Controls
- Certified Sabbath Mode
- 3 Oven Shelves
- Custom Built-in Look with Simple Slide-In Installation
- Model JSP57WFWW – White on white
- Model JSP57CFCC – Bisque on bisque
- Model JSP57BFBB – Black on black