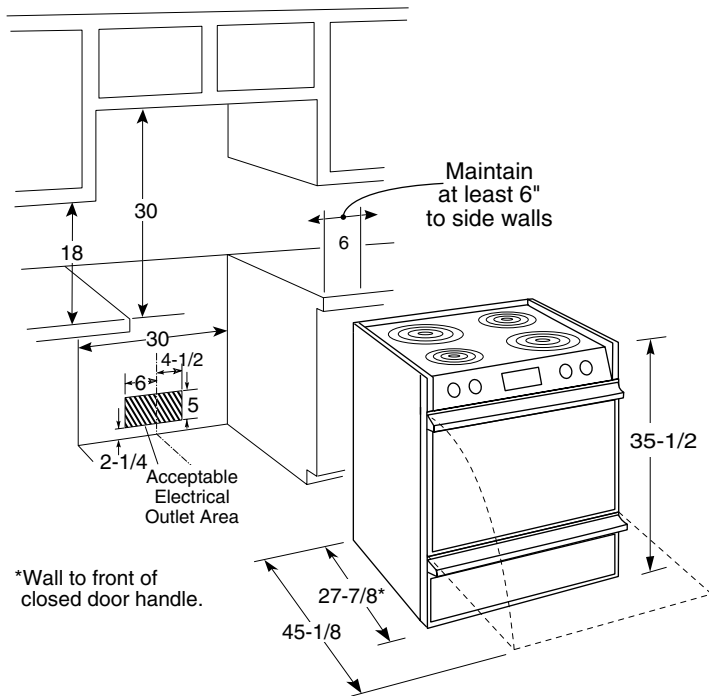




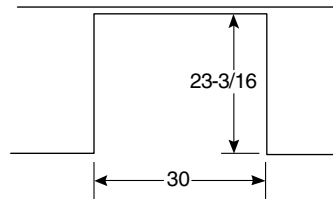
GE Appliances

JSS16PW—30" Slide-In Electric Range

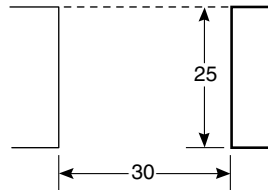
Dimensions (in inches)



If you are NOT using the optional Filler or Backguard:



If you are using the optional Filler or Backguard:



KW Rating	
240V	10.5
208V	7.9

Optional Kits (Available at additional cost)

- JXS28—Rear Filler Strip Kit
- JXS31—White Accessory Backguard
- JXS32—Brushed-Chrome Accessory Backguard
- JXS33—Almond Accessory Backguard
- JXS34—Black Accessory Backguard
- JXS40—Endcap kit to accommodate replacement where countertop may already be notched.
- JXS52BB—Lower Trim Kit (Black)
- JXS53WW—Lower Trim Kit (White)
- JXS54AA—Lower Trim Kit (Almond)

Note: All 30" Slide-In Ranges conform to U.L. requirements for 0" spacing from range to adjacent walls below countertop. To reduce possibility of scorching of the side wall adjacent to the heating elements, it is recommended a minimum of 6" spacing from adjacent side walls be allowed for possible extended, high-heat, no-load operation of heating elements.

Note: Cabinets installed adjacent to slide-in ranges must have an adhesion spec of at least 194°

Receptacle Location: For all 30" Slide-In Ranges, locally approved flexible service cord or conduit must be used because terminals are not accessible after range installation. See shaded area in drawing for location of electrical outlet box. Recommended outlet locations allow range to be installed directly against rear wall.

Installation Information: Before installing, consult installation instructions packed with product for current dimensional data.

For answers to your Monogram,® GE Profile Performance Series,™ GE Profile,™ GE, Hotpoint and RCA appliance questions, call GE Answer Center® service, 800.626.2000.



All GE ranges are equipped with an Anti-Tip device. The installation of this device is an important, required step in the installation of the range.

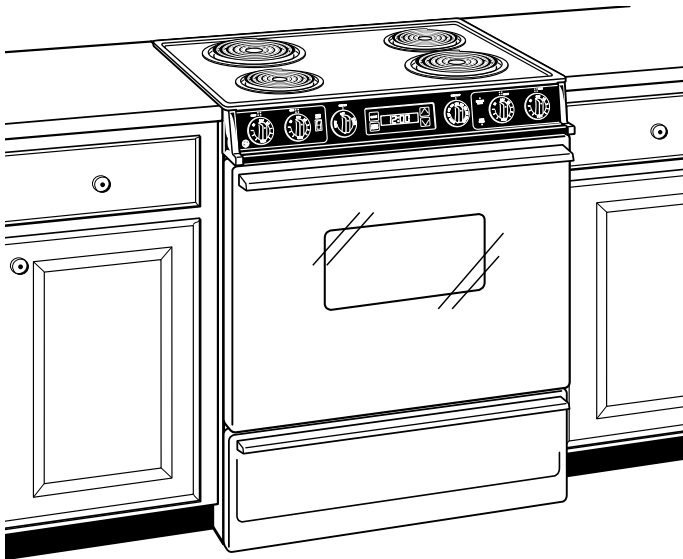


Listed by Underwriters Laboratories



GE Appliances

JSS16PW—30" Slide-In Electric Range



Features and Benefits

- Available in White or Almond
- Lift-Up Overhanging White or Almond Porcelain-Enameled Cooktop
- Two 8" and Two 6" Plug-In Calrod® Heating Elements
- Removable Chrome One-Piece Drip Bowls
- Standard Clean Oven
- Touchpad Controls
- Electronic Clock and Kitchen Timer
- Broiler Pan with Grid
- 2 Oven Shelves
- Interior Oven Light
- Color-Matched Oven Door with Window
- Color-Matched Storage Drawer
- Visor Handle
- Optional Backguard Available at Additional Cost