

JT915SK

GE Profile™ 30" Built-In Single Oven

Dimensions and Installation Information

| KW Rating | |
|--------------|---------|
| 240V | 3.6 |
| 208V | 2.7 |
| Breaker Size | |
| 240V | 20 Amps |
| 208V | 20 Amps |

| | |
|----------|---|
| A | Allow 1" overlap of oven over top and bottom edges of cutout |
| B | Allow 11/16"-3/4" for overlap of oven over side edges of cutout |

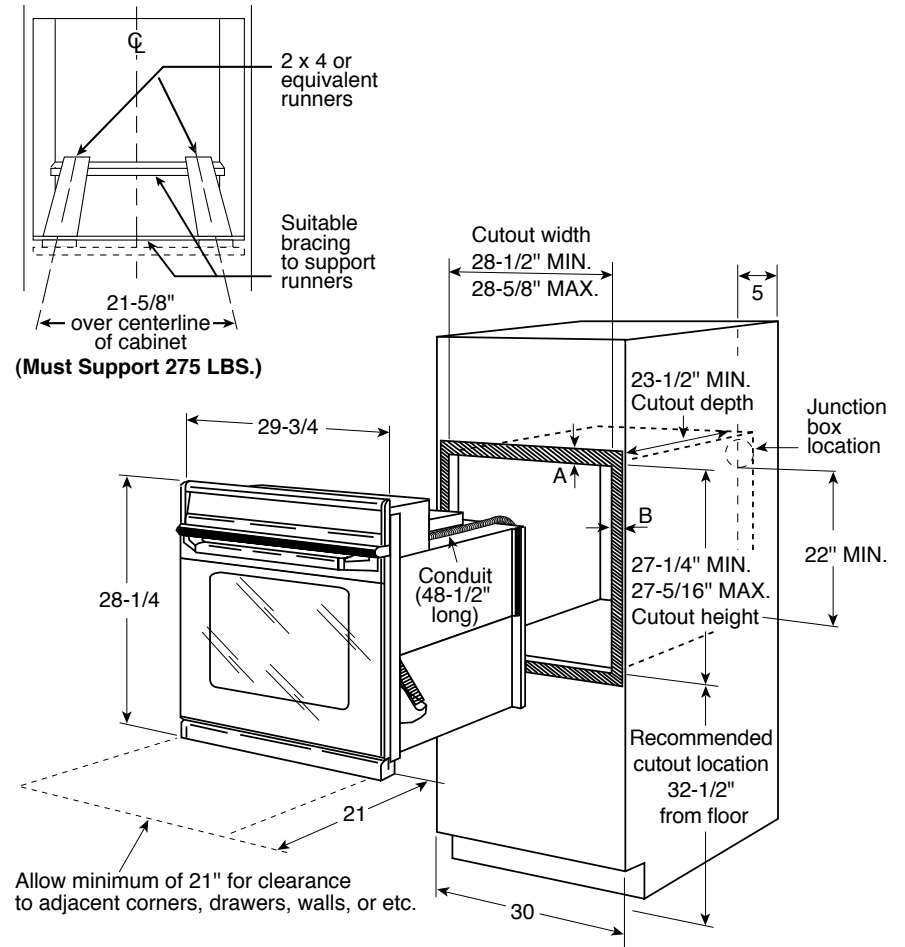
Most 30" Wall Cabinets can be used with this unit.

Note: These ovens are not approved for stackable or side-by-side installations. Cabinets installed adjacent to wall ovens must have an adhesion spec of at least a 194°F temperature rating.

Electric wall ovens are not approved for installation with a plug and receptacle. They must be hard wired in accordance with installation instructions.

Installation Information: Before installing, consult installation instructions packed with product for current dimensional data.

For answers to your Monogram®, GE Profile™ or GE® appliance questions, visit our website at ge.com or call GE Answer Center® service, 800.626.2000.



Dimension and installation information are shown in inches.



Specification Revised 2/06

220233

JT915SK

GE Profile™ 30" Built-In Single Oven

Optional Undercounter Dimensions and Installation Information

Note: 36" ribbon cooktops (excluding JP968) are approved for use over GE 30" single wall ovens only. 30" ribbon cooktops (excluding JP938) are approved for use over GE 30" and GE 27" single wall ovens. Model JP938 can be installed over 27" wall ovens except stainless model JK915 and JK912SF. Refer to cooktop and wall oven installation information packed with products for current dimensional data.

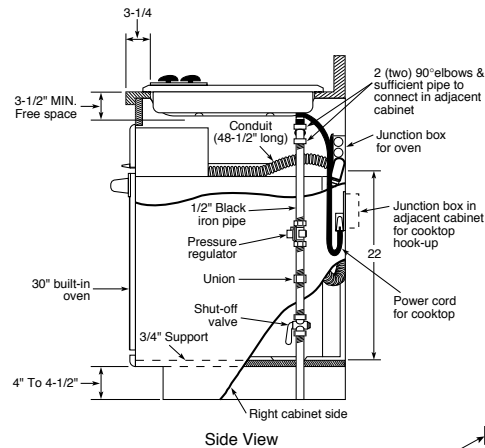
Note: CleanDesign or Sealed Burner Gas
This installation is to achieve minimum gap between bottom of countertop and control panel. For this installation, the bottom trim will not be flush with a typical 4" toe kick

Note: Cabinets installed adjacent to wall ovens must have an adhesion spec of at least a 194°F temperature rating.

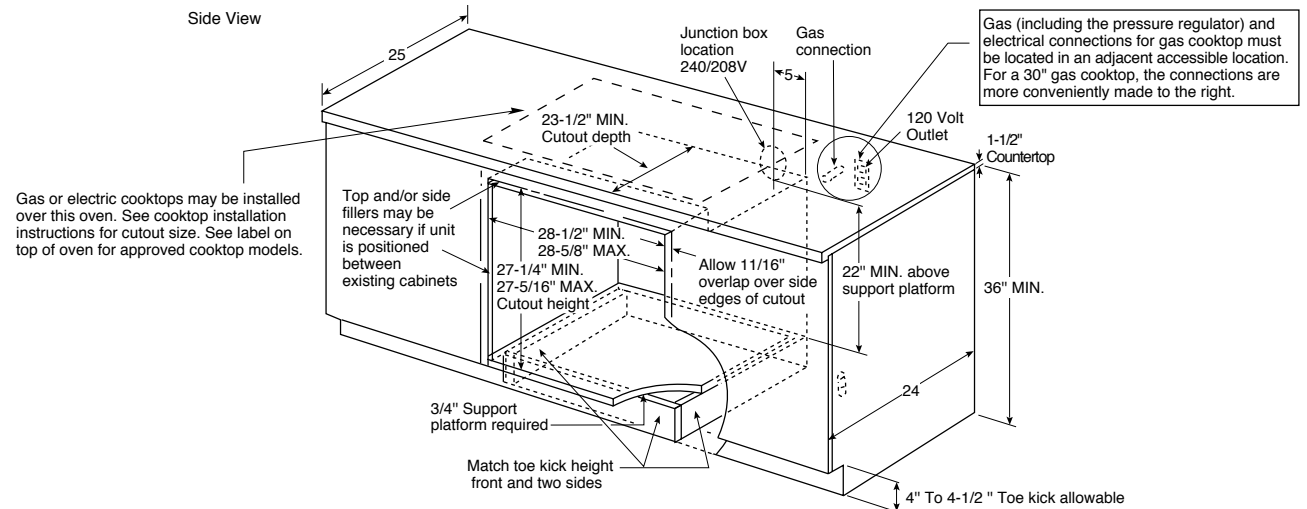
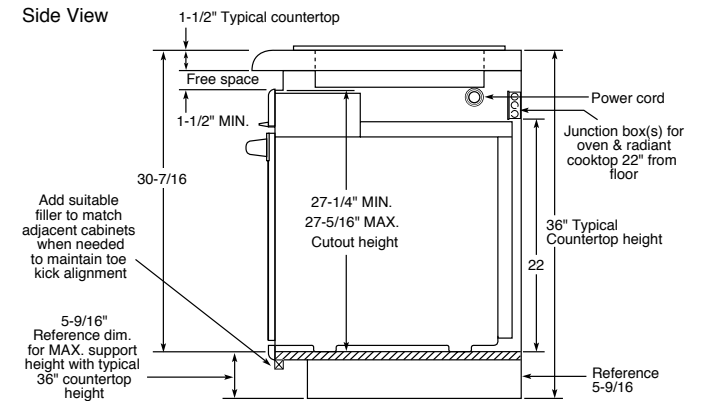
Installation Information: Before installing, consult installation instructions packed with product for current dimensional data.

For answers to your Monogram®, GE Profile™ or GE® appliance questions, visit our website at ge.com or call GE Answer Center® service, 800.626.2000.

With 36" Gas Cooktop



With 30" CleanDesign or Sealed Burner Gas Cooktop



Dimension and installation information are shown in inches.



imagination at work



Specification Revised 2/06

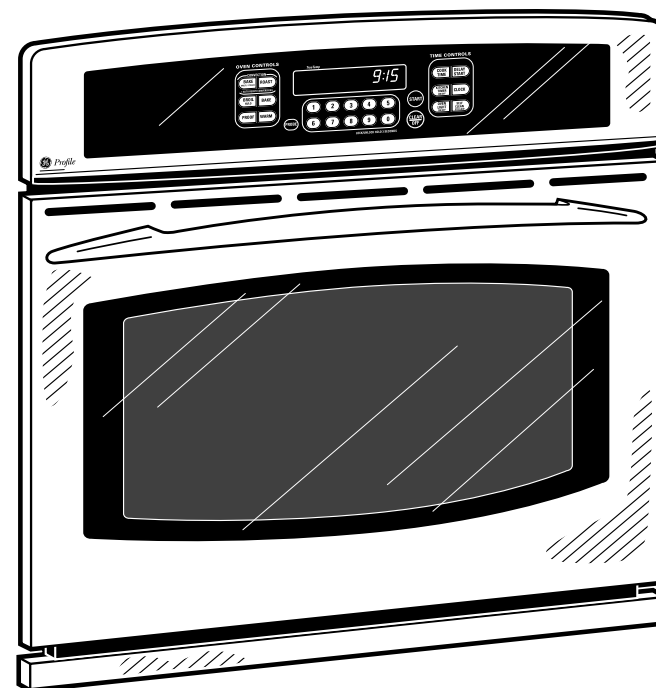
220233

JT915SK

GE Profile™ 30" Built-In Single Oven

Features and Benefits

- Precise Air™ convection system - Delivers even air and heat circulation for superior baking and roasting results
- Convection bake (multi-rack) - Provides ideal convection baking for multiple racks of food, ensuring superb results
- Convection roast - Provides even cooking and consistent results, roasting meats up to 25% faster than a conventional oven
- Glass touch oven controls - Feature a smooth glass design that is both easy-to-operate and easy-to-clean
- Self-clean oven - Conveniently cleans oven cavity without the need for scrubbing
- Super-large oven capacity - Provides the impressively large oven interior for cooking more dishes and large meals at one time
- TrueTemp™ system - Delivers even heat distribution and maximum oven control
- Model JT915SKSS – Stainless steel



imagination at work

Specification Revised 2/06

220233