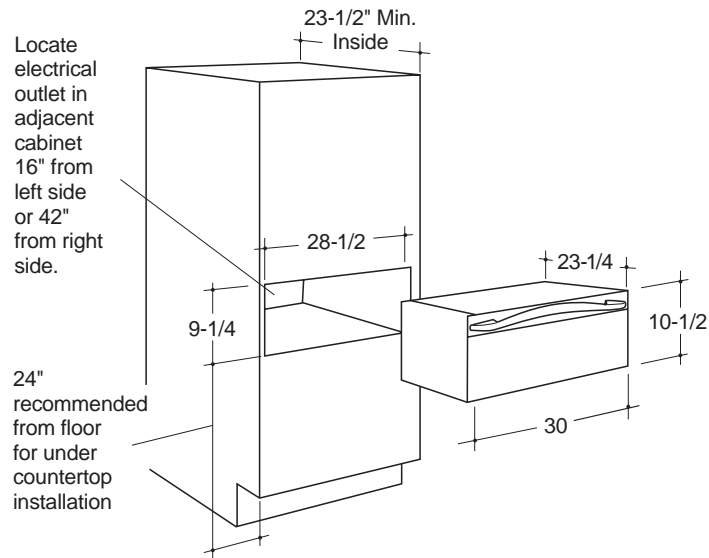




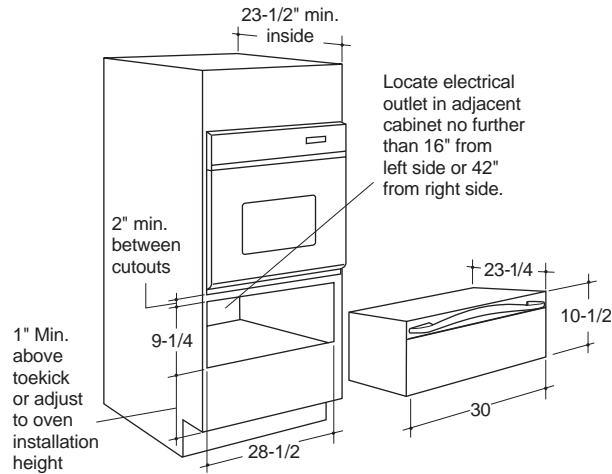
Profile™

JTD915BF/CF/SF/WF – GE Profile™ 30" Warming Drawer

Warming Drawer Dimensions (in inches)



Under Oven Installation (in inches)



Optional Accessories:

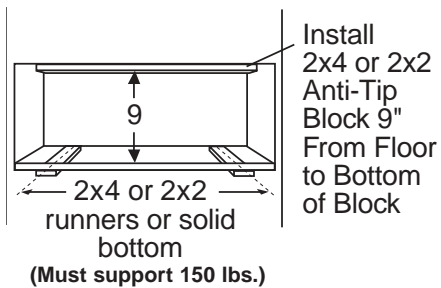
JXPN2—Optional Pan Set Accessory for Warming Drawer.
Two commercial pans with lids (4" deep)

ZXD30B—1/4" panel kit capability

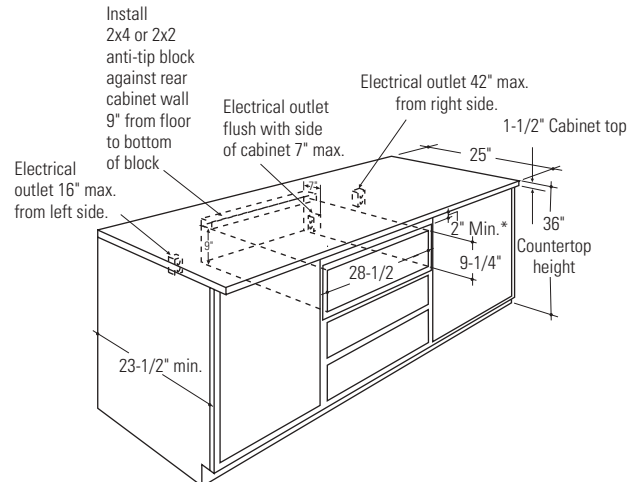
Installation Information:

Before installing, consult installation instructions packed with product for current dimensional data.

KW Rating	
120V	.45
Breaker Size	
120V	15 Amps



Undercounter Installation (in inches)

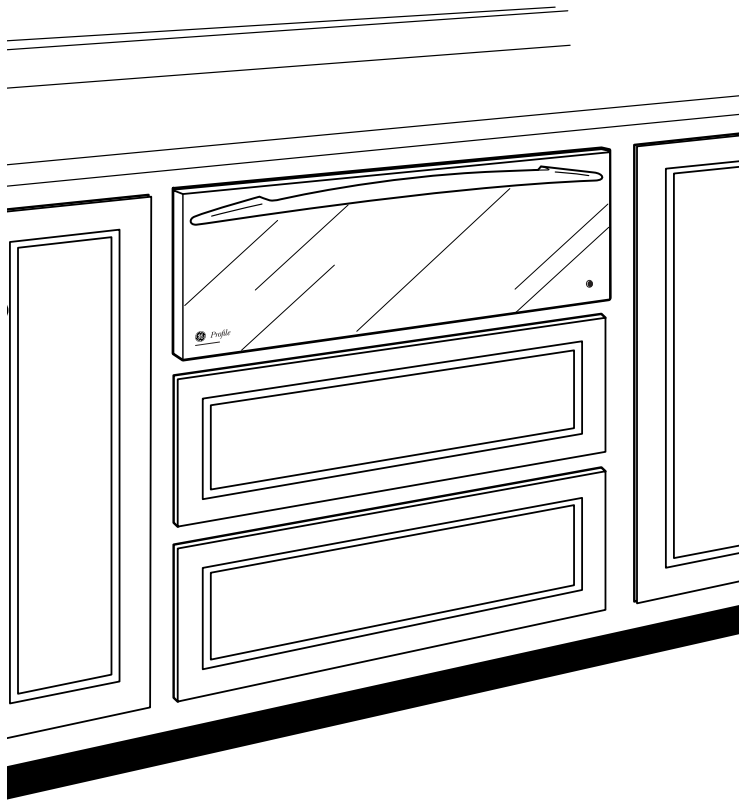


For answers to your Monogram®, GE Profile™ or GE® appliance questions, visit our website at GEAppliances.com or call GE Answer Center® service, 800.626.2000.



Profile™

JTD915BF/CF/SF/WF – GE Profile™ 30" Warming Drawer



Features and Benefits

- 1.92 cu. ft. Capacity
- Variable Temperature Control – Proof (80)/Low (140)/Med (170)/High (210)
- Variable Humidity Control – Crisp to Moist
- “On” Signal Light
- On/Off Rocker Switch
- Half Rack
- Full Extension Ball Bearing Glides
- Removable Stainless Steel Pan
- Hidden Controls Provide Flush Installation Appearance
- Variable Installation Options
- Model JTD915WFWW – White on white
- Model JTD915BFBB – Black on black
- Model JTD915CFCC – Bisque on bisque
- Model JTD915SFSS – Stainless steel