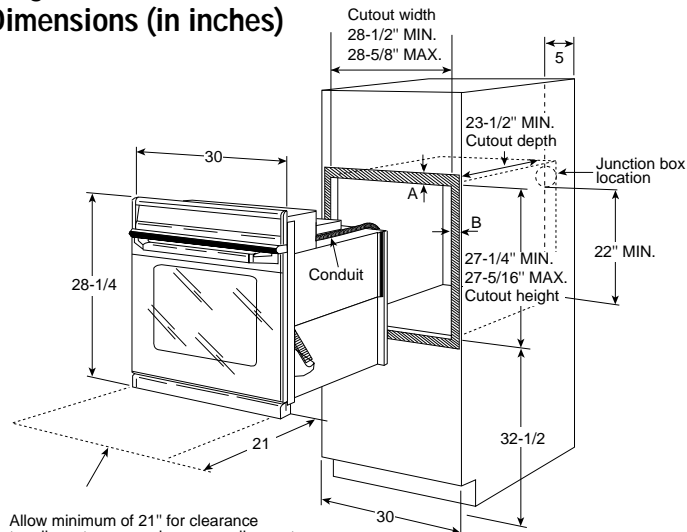




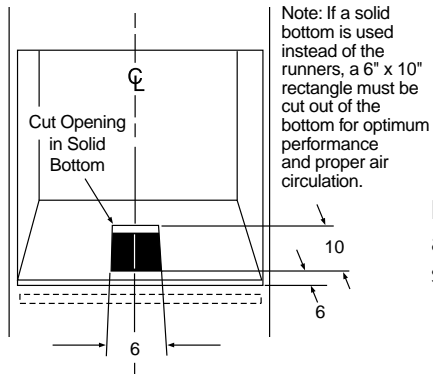
GE Appliances

JTP15AAAA - GE 30" Single Wall Oven

Single Oven Wall-Mount or Cabinet Installation Dimensions (in inches)

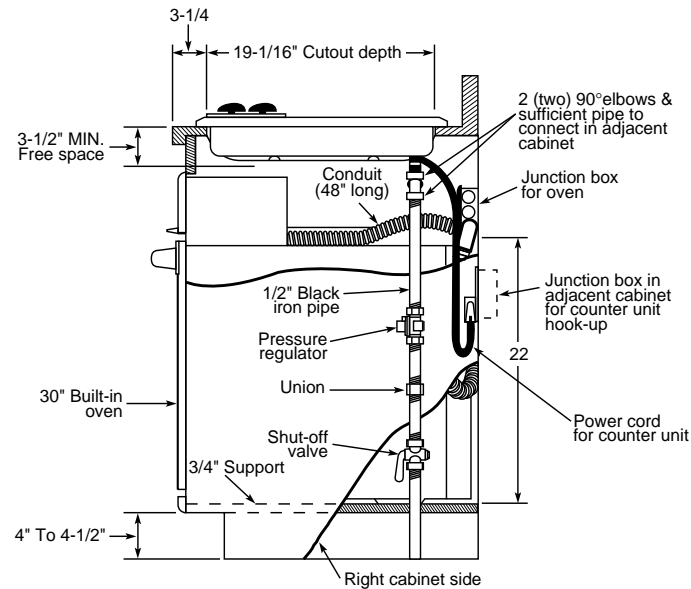


Allow minimum of 21" for clearance to adjacent corners, drawers, walls, or etc.
A=Allow 1" overlap of oven over top and bottom edges of cutout.
B=Allow 11/16" for overlap of oven over side edges of cutout.



Note: These ovens are not approved for stackable or side-by-side installation.

Installation with 36" Gas Cooktop (in inches)



Side View

KW Rating	
240V	3.6
208V	2.7

- Note:** Oven is rated for use only under the following cooktops:
- GE 30" and 36" electric coil and CleanDesign cooktops (Excluding Induction)
 - GE 30" and 36" gas standard and sealed burner cooktops

Note: Gas or electric cooktops may be installed over this oven. See cooktop installation instructions for cutout size. See label on back of oven for approved cooktop models.

Installation Information: Before installing, consult installation instructions [Pub. No. 31-10125] packed with product for current dimensional data and for alternate installation options.

Note: Cabinets installed adjacent to wall ovens must have an adhesion spec of at least 194°

For answers to your Monogram®, GE Profile Performance Series™, GE Profile™ or GE appliance questions, call GE Answer Center® service, 800.626.2000.

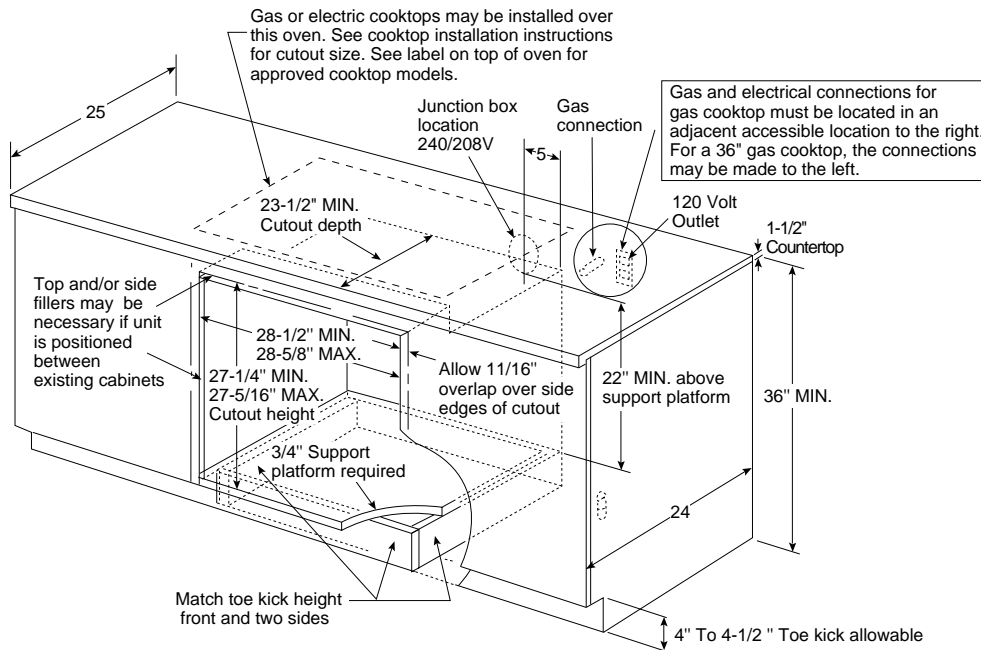




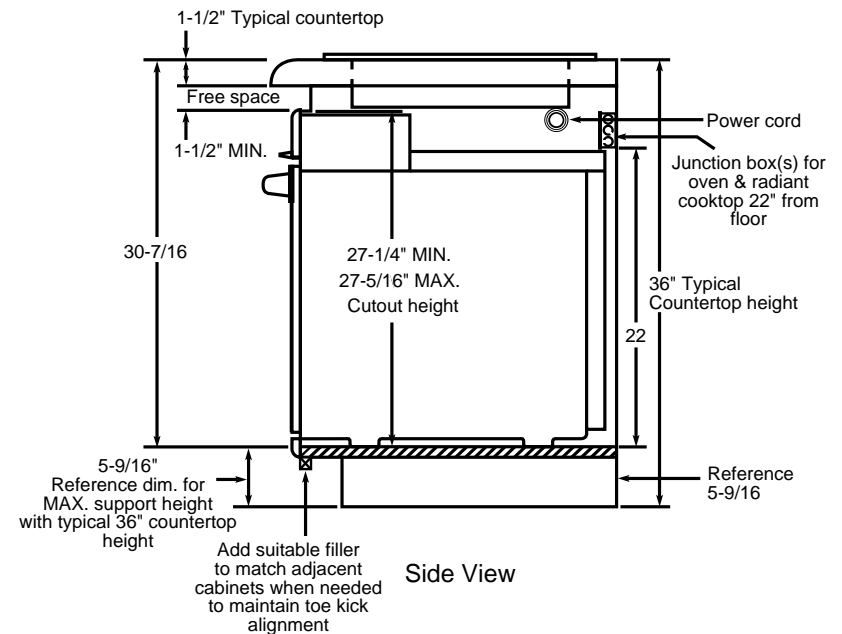
GE Appliances

JTP15AAAA - GE 30" Single Wall Oven

Undercounter Installation (in inches)



Optional Custom Installation for 30" CleanDesign or Sealed Burner Gas Cooktop (in inches)



This installation is to achieve minimum gap between bottom of countertop and control panel.

Note: For this installation, the bottom trim **will not** be flush with a typical 4" toe kick.

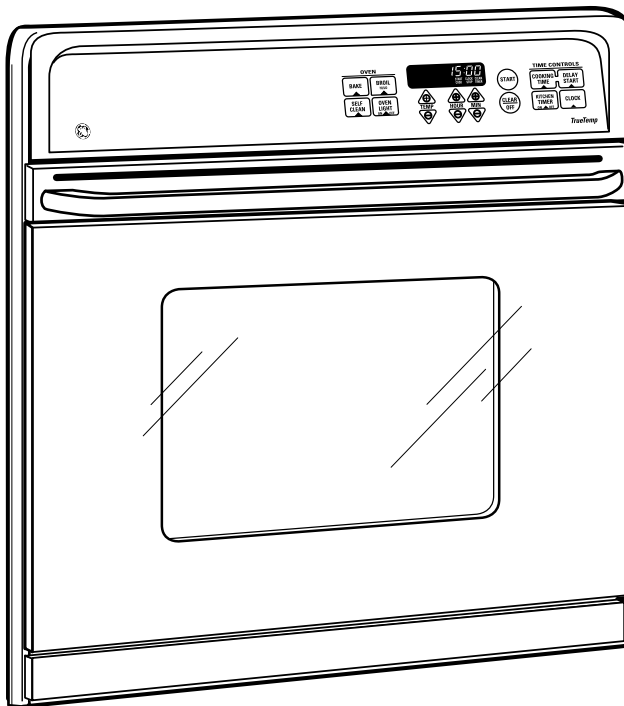
For answers to your Monogram®, GE Profile Performance Series™, GE Profile™ or GE appliance questions, call GE Answer Center® service, 800.626.2000.





GE Appliances

JTP15AAAA - GE 30" Single Wall Oven



Features and Benefits

- TrueTemp™ System
- Extra Large Capacity Self-Clean Oven with Delay Clean Option
- SmartSet Electronic Oven Controls
- Electronic Clock and Kitchen Timer
- Variable Broil / Six-Pass Broil Element
- Extra-Large Broiler Pan with Grid
- 2 Oven Racks / 6 Embossed Rack Positions
- Up-Front Oven Light
- Frameless Glass Oven Door with Big-View Window
- Sure Grip Designer-Style Handle
- 30" Oven Cabinet Width Required
- Undercounter Installation Option
- Model JTP15WAWW - White on white
- Model JTP15BABB - Black on black
- Model JTP15AAAA - Almond on almond