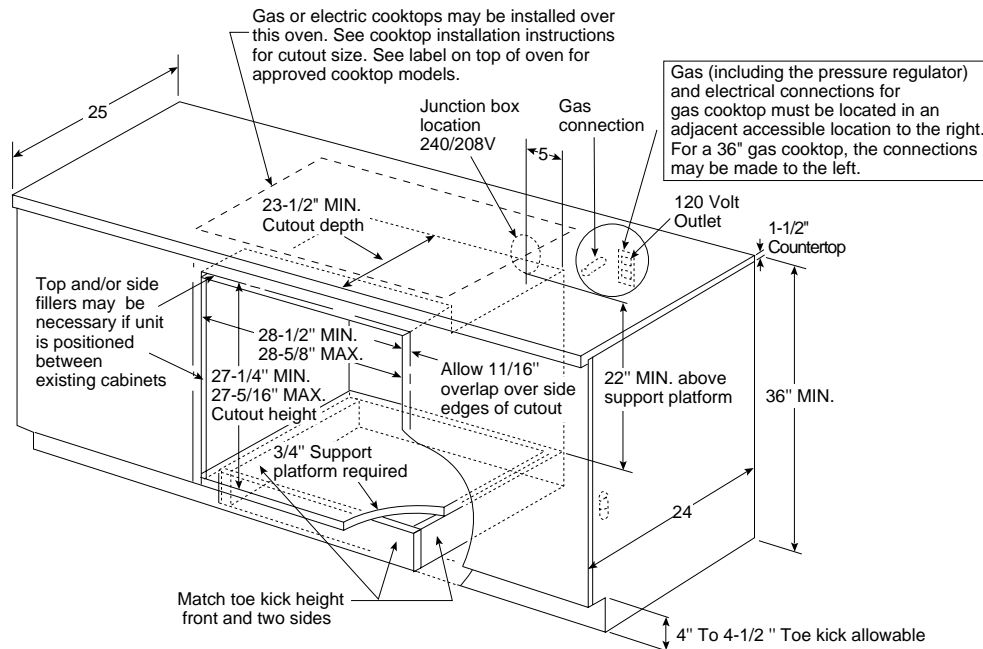




GE Appliances

JTP15AD/BD/CD/SD/WD - GE 30" Built-In Single Wall Oven

Undercounter Installation (in inches)



Note: Oven is rated for use only under the following cooktops:

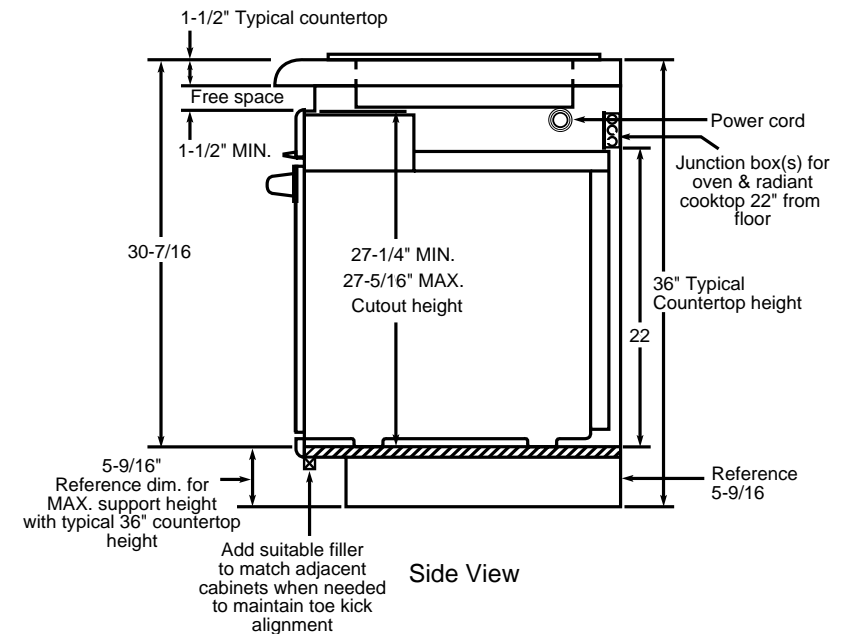
- 30" and 36" standard sealed burner gas cooktops and selected 36" and 30" CleanDesign and Calrod® electric cooktops (excludes JP968/938).

Note: Gas or electric cooktops may be installed over this oven. See cooktop installation instructions for cutout size. See label on back of oven for approved cooktop models.

Installation Information: Before installing, consult installation instructions packed with product for current dimensional data and for alternate installation options.

Specification Created 7/01

Optional Undercounter Installation with 30" CleanDesign or Sealed Burner Gas Cooktop (in inches)



This installation is to achieve minimum gap between bottom of countertop and control panel.

Note: For this installation, the bottom trim **will not** be flush with a typical 4" toe kick.

Note: Cabinets installed adjacent to wall ovens must have an adhesion spec of at least 194° temperature rating.

For answers to your Monogram®, GE Profile™ or GE appliance questions, visit our website at GEAppliances.com or call GE Answer Center® service, 800.626.2000.

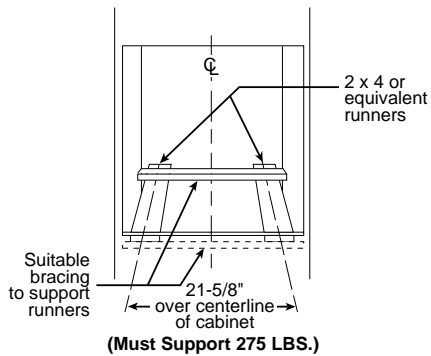
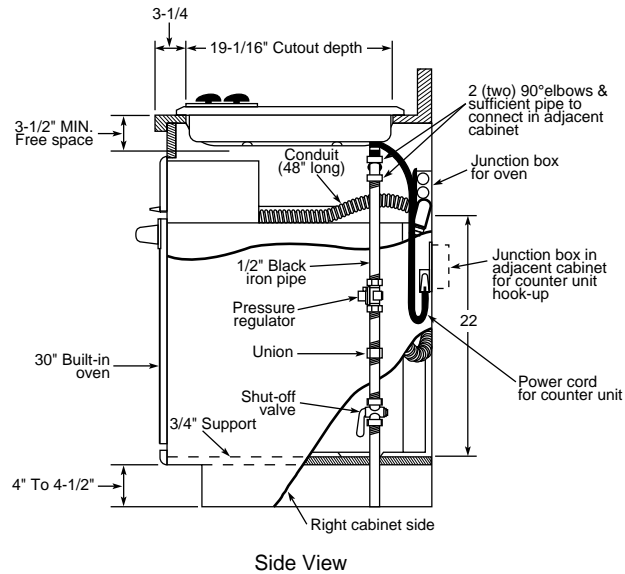




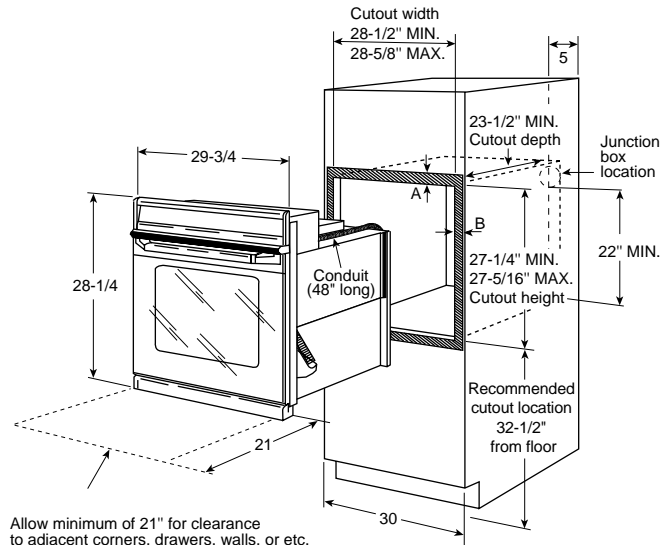
GE Appliances

JTP15AD/BD/CD/SD/WD - GE 30" Built-In Single Wall Oven

Optional Undercounter Installation with 36" Gas Cooktop (in inches)



Single Oven Wall-Mount or Cabinet Installation Dimensions (in inches)



Allow minimum of 21" for clearance to adjacent corners, drawers, walls, or etc.
A=Allow 1" overlap of oven over top and bottom edges of cutout.
B=Allow 11/16"-3/4" for overlap of oven over side edges of cutout.

KW Rating	
240V	3.6
208V	2.7
Breaker Size	
20 Amps	

Installation Information: Before installing, consult installation instructions packed with product.

For answers to your Monogram®, GE Profile™ or GE appliance questions, visit our website at GEAppliances.com or call GE Answer Center® service, 800.626.2000.



Listed by Underwriters Laboratories

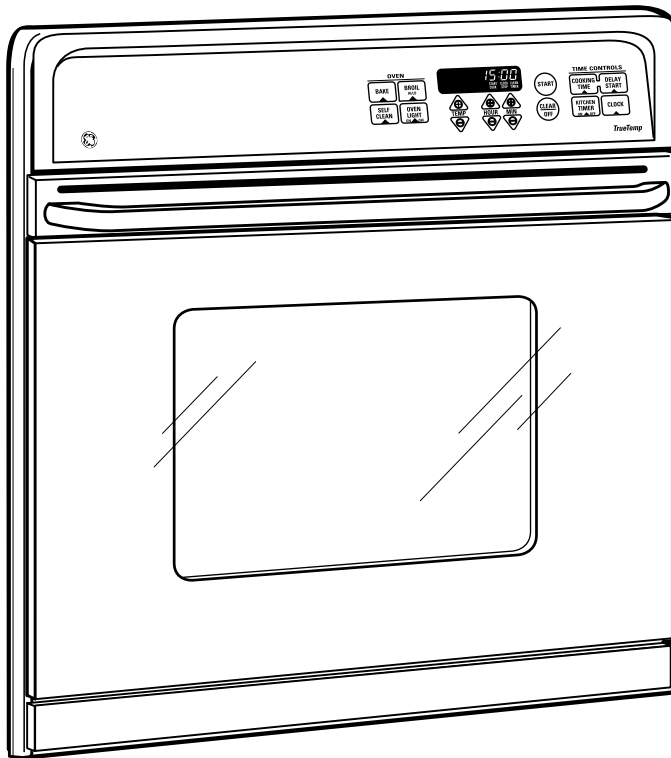


Specification Created 7/01



GE Appliances

JTP15AD/BD/CD/SD/WD - GE 30" Built-In Single Wall Oven



Features and Benefits

- TrueTemp™ System
- Extra Large 4.4 cu. ft. Capacity Self-Cleaning Oven
- SmartSet Electronic Oven Controls
- Sabbath Mode
- 2 Oven Racks with 6 Embossed Positions
- True Frameless Glass Oven Door with Big ClearView™ Window
- Model JTP15WDWW - White on white
- Model JTP15BDBB - Black on black
- Model JTP15ADAA - Almond on almond
- Model JTP15CDCC - Bisque
- Model JTP15SDSS - Stainless steel