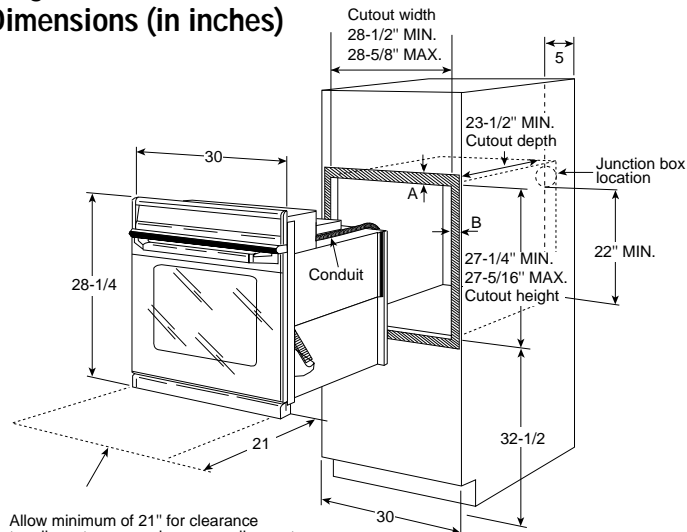




GE Appliances

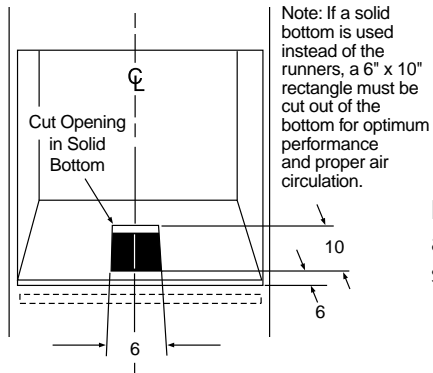
JTP15WAWW - GE 30" Single Wall Oven

Single Oven Wall-Mount or Cabinet Installation Dimensions (in inches)



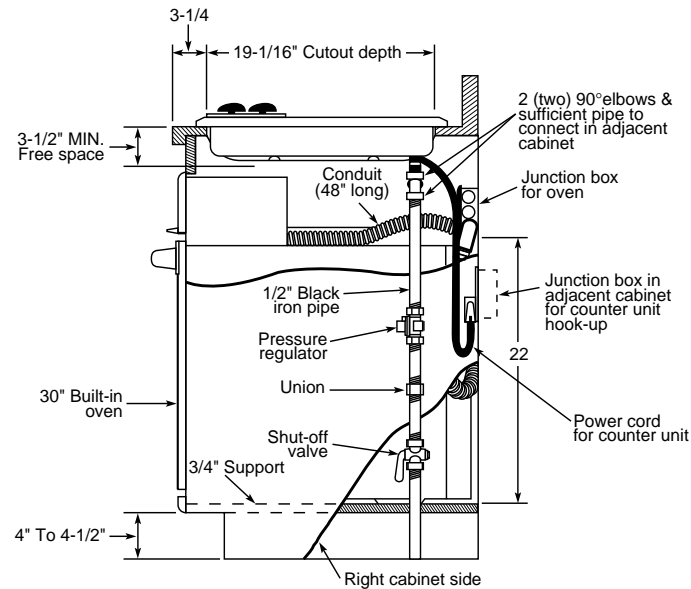
Allow minimum of 21" for clearance to adjacent corners, drawers, walls, or etc.

A=Allow 1" overlap of oven over top and bottom edges of cutout.
B=Allow 11/16" for overlap of oven over side edges of cutout.



Note: These ovens are not approved for stackable or side-by-side installation.

Installation with 36" Gas Cooktop (in inches)



Side View

KW Rating	
240V	3.6
208V	2.7

Note: Oven is rated for use only under the following cooktops:

- GE 30" and 36" electric coil and CleanDesign cooktops (Excluding Induction)
- GE 30" and 36" gas standard and sealed burner cooktops

Note: Gas or electric cooktops may be installed over this oven. See cooktop installation instructions for cutout size. See label on back of oven for approved cooktop models.

Installation Information: Before installing, consult installation instructions [Pub. No. 31-10125] packed with product for current dimensional data and for alternate installation options.

Note: Cabinets installed adjacent to wall ovens must have an adhesion spec of at least 194°

For answers to your Monogram,[®] GE Profile Performance Series,[™] GE Profile[™] or GE appliance questions, call GE Answer Center[®] service, 800.626.2000.



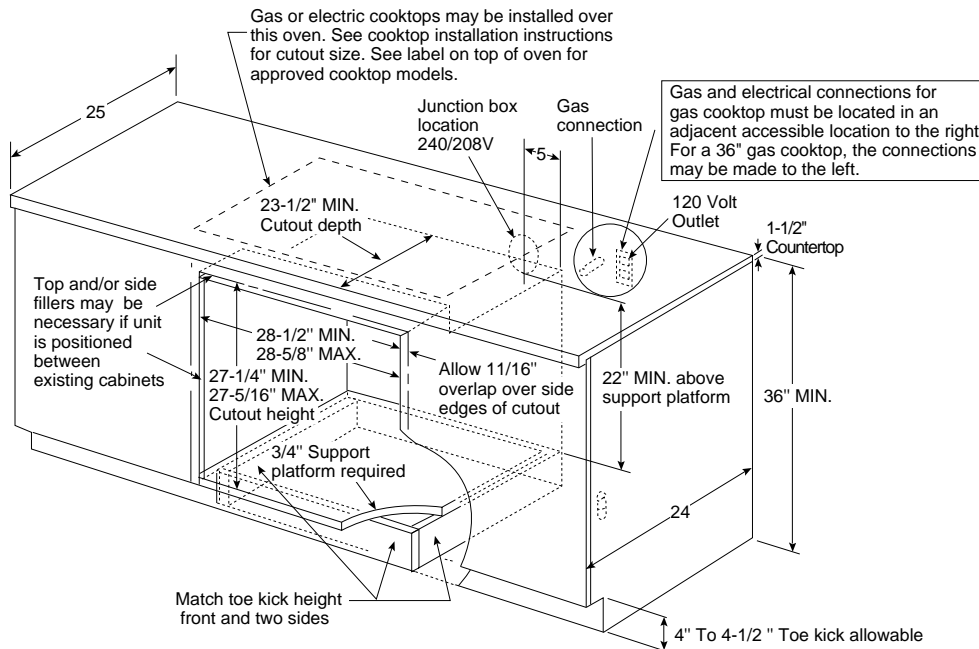
Listed by Underwriters Laboratories



GE Appliances

JTP15WAWW - GE 30" Single Wall Oven

Undercounter Installation (in inches)



Note: Oven is rated for use only under the following cooktops:

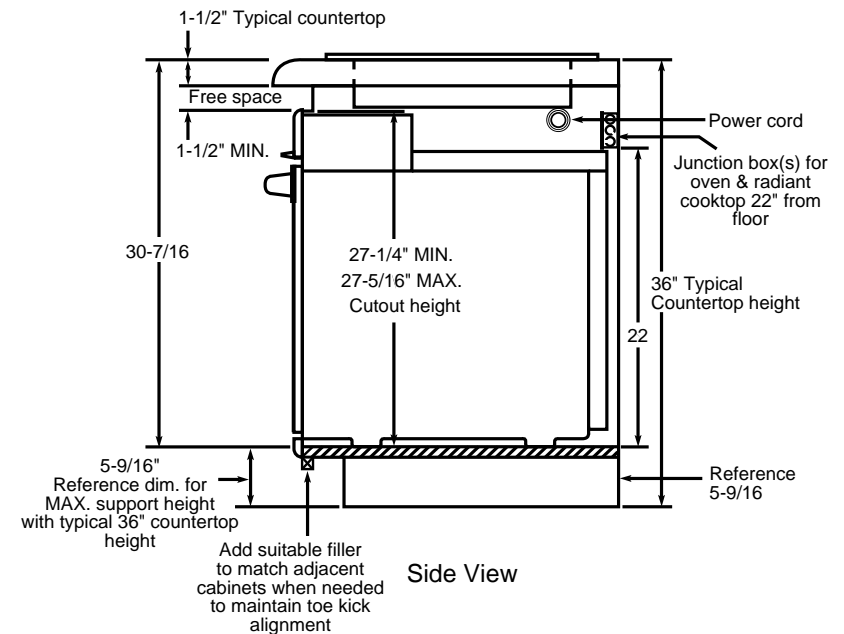
- GE 30" and 36" electric coil and CleanDesign cooktops (Excluding Induction)
- GE 30" and 36" gas standard and sealed burner cooktops

Note: Gas or electric cooktops may be installed over this oven. See cooktop installation instructions for cutout size. See label on back of oven for approved cooktop models.

Installation Information: Before installing, consult installation instructions [Pub. No. 31-10125] packed with product for current dimensional data and for alternate installation options.

Created 8/98

Optional Custom Installation for 30" CleanDesign or Sealed Burner Gas Cooktop (in inches)



This installation is to achieve minimum gap between bottom of countertop and control panel.

Note: For this installation, the bottom trim **will not** be flush with a typical 4" toe kick.

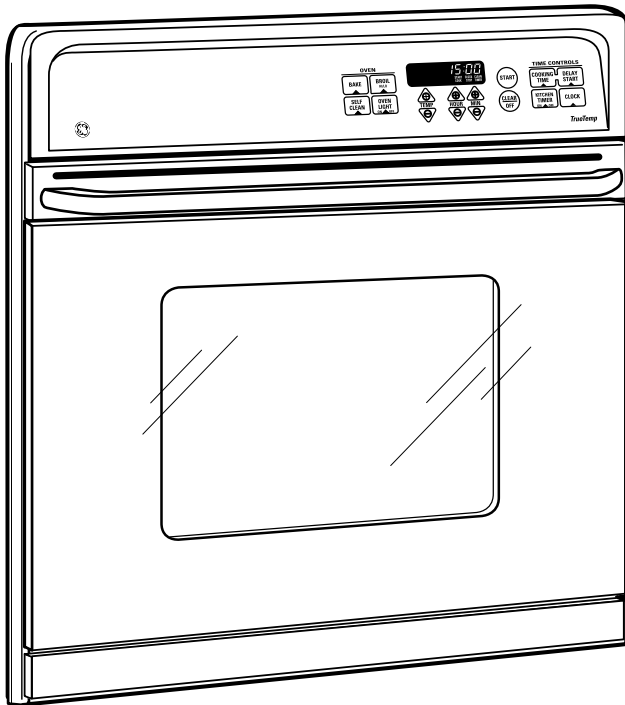
For answers to your Monogram®, GE Profile Performance Series™, GE Profile™ or GE appliance questions, call GE Answer Center® service, 800.626.2000.





GE Appliances

JTP15WAWW - GE 30" Single Wall Oven



Features and Benefits

- TrueTemp™ System
- Extra Large Capacity Self-Clean Oven with Delay Clean Option
- SmartSet Electronic Oven Controls
- Electronic Clock and Kitchen Timer
- Variable Broil / Six-Pass Broil Element
- Extra-Large Broiler Pan with Grid
- 2 Oven Racks / 6 Embossed Rack Positions
- Up-Front Oven Light
- Frameless Glass Oven Door with Big-View Window
- Sure Grip Designer-Style Handle
- 30" Oven Cabinet Width Required
- Undercounter Installation Option
- Model JTP15WAWW - White on white
- Model JTP15BABB - Black on black
- Model JTP15AAAA - Almond on almond