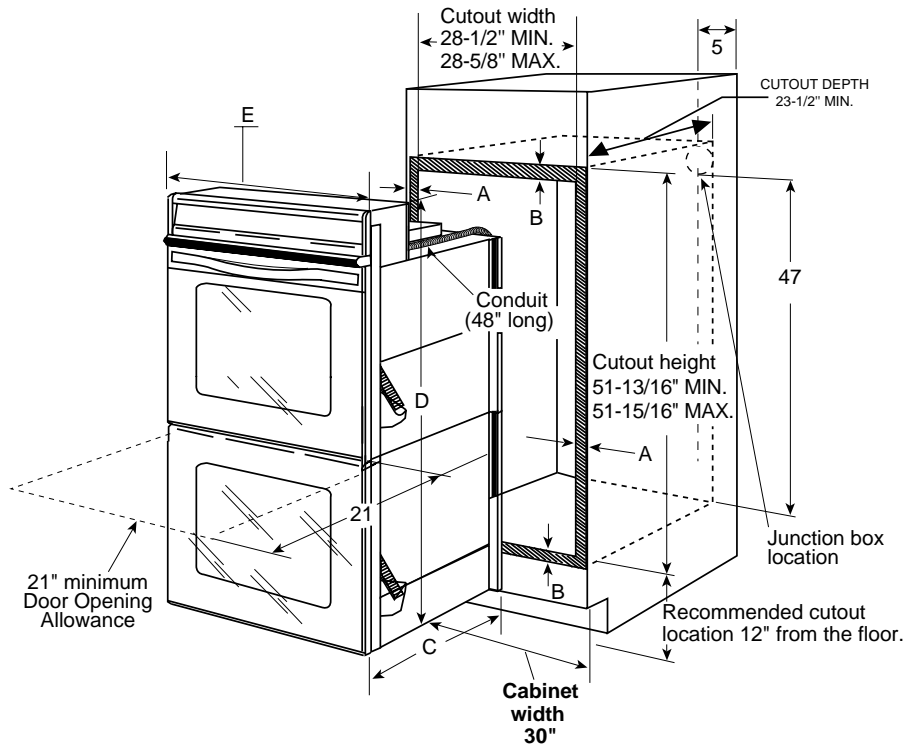




GE Appliances

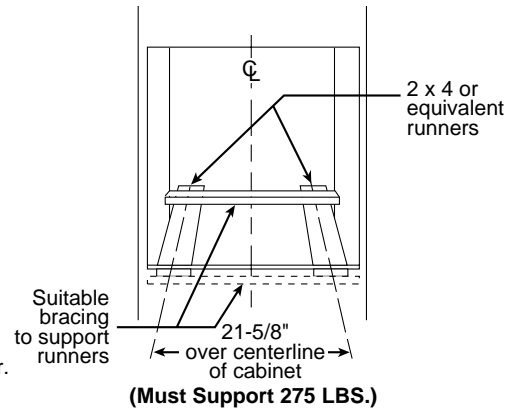
## JTP27BD/WD - GE 30" Built-In Double Wall Oven

### Cabinet Installation Dimensions (in inches)



MOST 30" WALL CABINETS CAN BE USED WITH THIS UNIT  
THE OPENING BETWEEN THE INSIDE WALLS MUST BE AT LEAST 28-1/2" WIDE

**Note:** Cabinets installed adjacent to wall ovens must have an adhesion spec of at least 194° temperature rating.



Cabinet	30"
A—Overlap of Oven Over Side Edges of Cutout	11/16"–3/4"
B—Overlap of Oven at Top and Bottom of Cutout	1"
Oven	
C—Overall Depth	23-1/2"
D—Overall Height	52-7/8"
E—Overall Width	29-3/4"

KW Rating	
240V	8.8
208V	6.6
Breaker Size	
240V	40 Amps
208V	40 Amps

**Installation Information:** Before installing, consult installation instructions packed with product for current dimensional data.

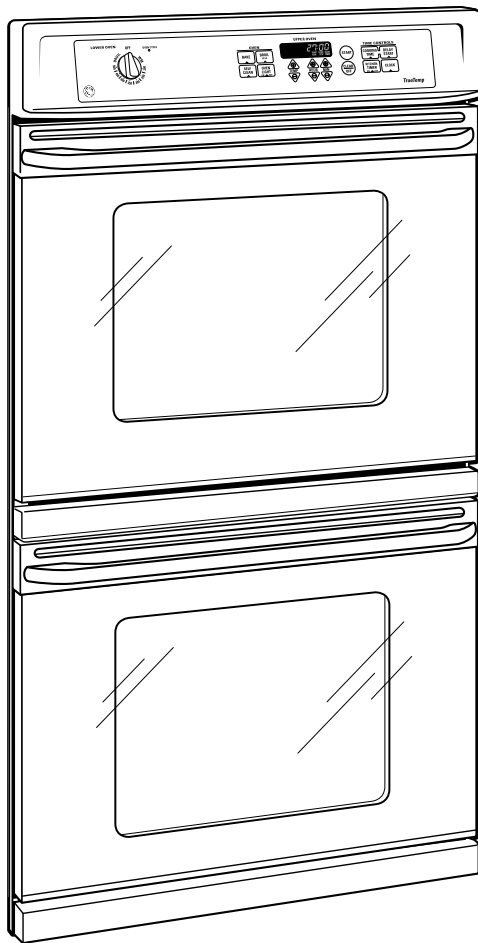
For answers to your Monogram® GE Profile™ or GE appliance questions, visit our website at [GEAppliances.com](http://GEAppliances.com) or call GE Answer Center® service, 800.626.2000.





**GE Appliances**

## **JTP27BD/WD - GE 30" Built-In Double Wall Oven**



### **Features and Benefits**

- TrueTemp™ System (Upper Oven)
- 2 Extra Large 4.4 cu. ft. Capacity Ovens
- SmartSet Electronic Oven Controls (Upper Oven)
- Sabbath Mode (Upper Oven)
- 2 Oven Racks with 6 Embossed Positions Each Oven
- True Frameless Glass Oven Doors with Big ClearView™ Windows
- Installation Flexibility
- Model JTP27WDWW - White on white
- Model JTP27BDBB - Black on black