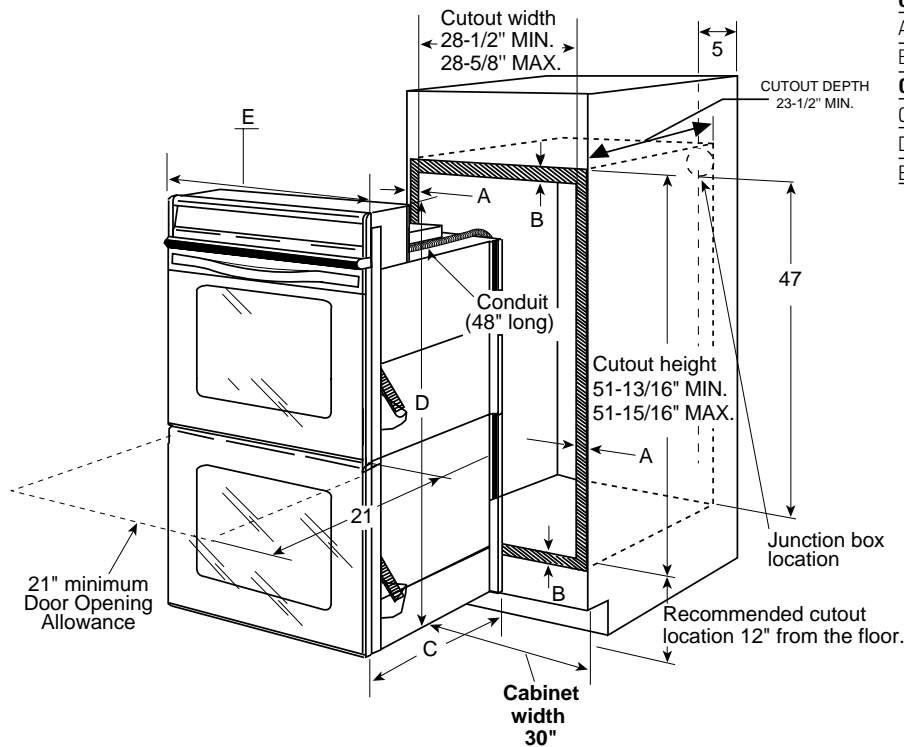




GE Appliances

JTP45BABB - GE 30" Double Wall Oven

Cabinet Installation Dimensions (in inches)



Cabinet	
Cabinet	30"
A—Overlap of Oven Over Side Edges of Cutout	11/16-3/4"
B—Overlap of Oven at Top and Bottom of Cutout	1"
Oven	
C—Overall Depth	23-1/2"
D—Overall Height	52-15/16"
E—Overall Width	30"

KW Rating	
240V	7.2
208V	5.4
Breaker Size	
30 Amps [†]	

[†]Note: Check local codes for required breaker size

***Most 30" wall cabinets can be used with this unit.**

The opening between the inside walls must be at least 28-1/2" wide.

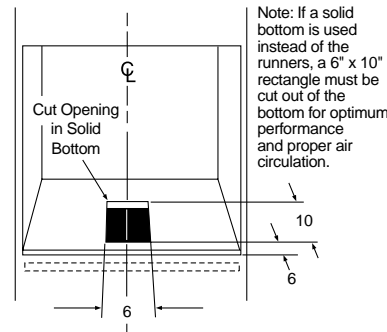
A = Allow minimum of 21" for clearance to adjacent corners, drawers, walls, etc., when door is opened.

B = Allow 11/16" for overlap of oven over side edges of cutout.

C = Allow 1" for overlap of oven—top and bottom of cutout.

Installation Information: Before installing, consult installation instructions (Pub. No. 31-10125) packed with product for current dimensional data.

For answers to your Monogram,[®] GE Profile Performance Series,[™] GE Profile[™] or GE appliance questions, call GE Answer Center[®] service, 800.626.2000.



MOST 30" WALL CABINETS CAN BE USED WITH THIS UNIT
THE OPENING BETWEEN THE INSIDE WALLS MUST BE AT LEAST 28-1/2" WIDE

Note: Cabinets installed adjacent to wall ovens must have an adhesion spec of at least 194°



Listed by
Underwriters
Laboratories



GE Appliances

JTP45BABB - GE 30" Double Wall Oven



Features and Benefits

- TrueTemp™ System
- 2 Extra Large Capacity Self-Clean Ovens with Automatic Oven Door Locks
- 2 Oven Racks (Each Oven)
- 6 Embossed Rack Positions (Each Oven)
- SmartSet Electronic Oven Controls
- Electronic Clock and Kitchen Timer
- Delay Time Bake Option with Cook and Hold
- Auto Oven Shut-Off with Override
- Variable Broil / Six-Pass Broil Element
- Extra-Large Broiler Pan with Grid
- Up-Front Oven Lights
- Frameless Glass Oven Doors with Big-View Windows
- Sure Grip Designer-Style Handle
- 30" Oven Cabinet Width Required
- Model JTP45WAWW - White on white
- Model JTP45BBABB - Black on black