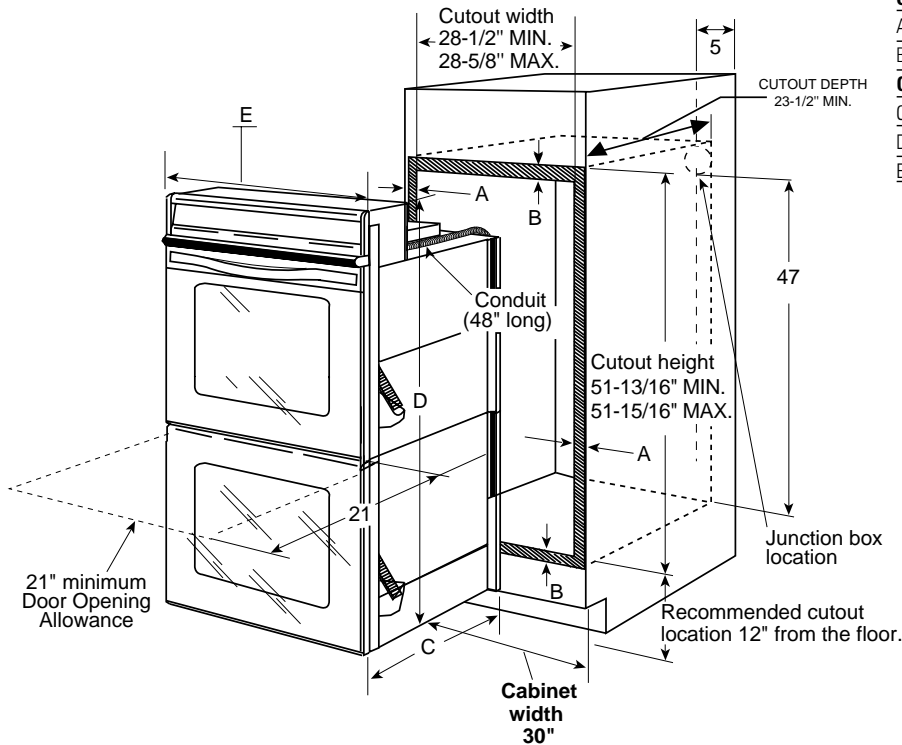




GE Appliances

JTP45WAWW - GE 30" Double Wall Oven

Cabinet Installation Dimensions (in inches)



Cabinet		30"
A—Overlap of Oven Over Side Edges of Cutout		11/16-3/4"
B—Overlap of Oven at Top and Bottom of Cutout		1"
Oven		
C—Overall Depth		23-1/2"
D—Overall Height		52-15/16"
E—Overall Width		30"

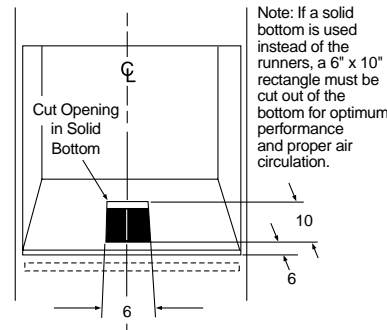
KW Rating	
240V	7.2
208V	5.4
Breaker Size	
30 Amps [†]	

[†]Note: Check local codes for required breaker size

***Most 30" wall cabinets can be used with this unit.**

The opening between the inside walls must be at least 28-1/2" wide.

- A = Allow minimum of 21" for clearance to adjacent corners, drawers, walls, etc., when door is opened.
- B = Allow 11/16" for overlap of oven over side edges of cutout.
- C = Allow 1" for overlap of oven—top and bottom of cutout.



MOST 30" WALL CABINETS CAN BE USED WITH THIS UNIT
THE OPENING BETWEEN THE INSIDE WALLS MUST BE AT LEAST 28-1/2" WIDE

Note: Cabinets installed adjacent to wall ovens must have an adhesion spec of at least 194°

Installation Information: Before installing, consult installation instructions (Pub. No. 31-10125) packed with product for current dimensional data.

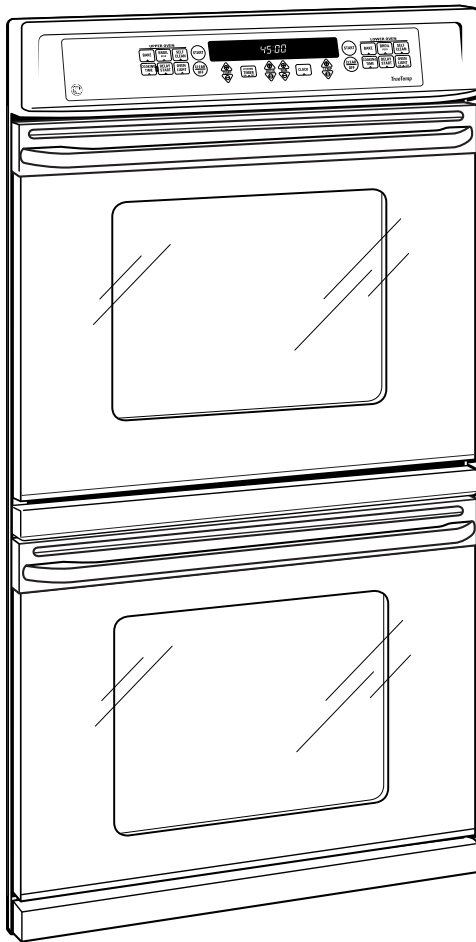
For answers to your Monogram®, GE Profile Performance Series™, GE Profile™ or GE appliance questions, call GE Answer Center® service, 800.626.2000.





GE Appliances

JTP45WAWW - GE 30" Double Wall Oven



Features and Benefits

- TrueTemp™ System
- 2 Extra Large Capacity Self-Clean Ovens with Automatic Oven Door Locks
- 2 Oven Racks (Each Oven)
- 6 Embossed Rack Positions (Each Oven)
- SmartSet Electronic Oven Controls
- Electronic Clock and Kitchen Timer
- Delay Time Bake Option with Cook and Hold
- Auto Oven Shut-Off with Override
- Variable Broil / Six-Pass Broil Element
- Extra-Large Broiler Pan with Grid
- Up-Front Oven Lights
- Frameless Glass Oven Doors with Big-View Windows
- Sure Grip Designer-Style Handle
- 30" Oven Cabinet Width Required
- Model JTP45WAWW - White on white
- Model JTP45BBABB - Black on black