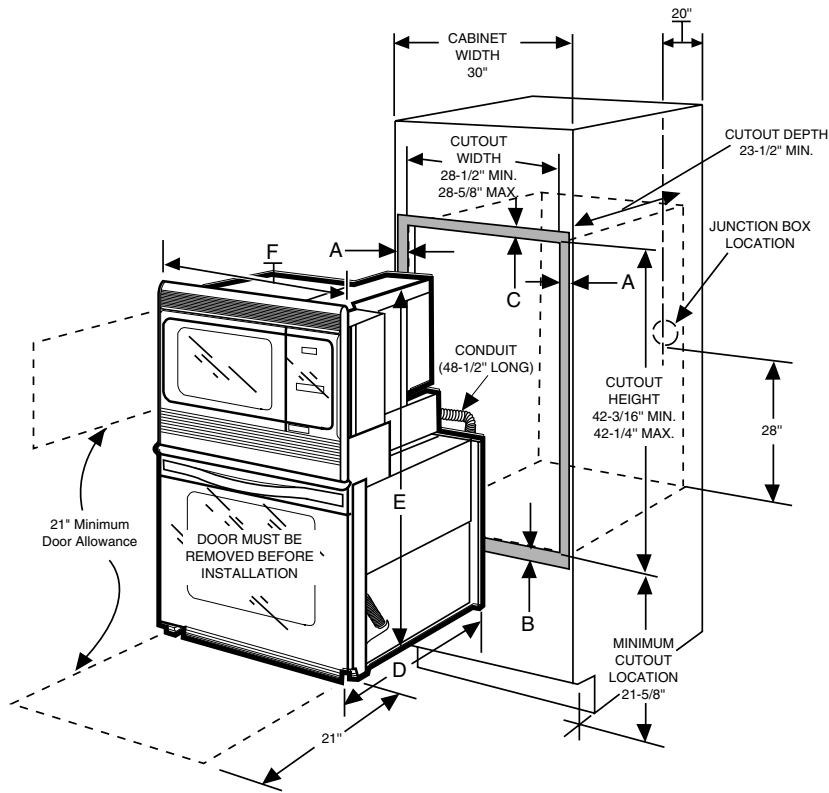




GE Appliances

JTP85WAWW - GE 30" Built-In Microwave/Double Oven

Cabinet Installation Dimensions (in inches)



Cabinet	30"
A—Overlap of Oven Over Side Edges of Cutout	11/16"
B—Overlap of Oven at Bottom of Cutout	1"
C—Overlap of Oven at Top of Cutout	1/2"
Oven	
D—Overall Depth	26-1/4"
E—Overall Height	43-1/2"
F—Overall Width	29-3/4"

KW Rating	
240V	6.4
208V	4.8
Breaker Size	
30 Amps [†]	

[†]Note: Check local codes for required breaker size

***Most 30" wall cabinets can be used with this unit.**

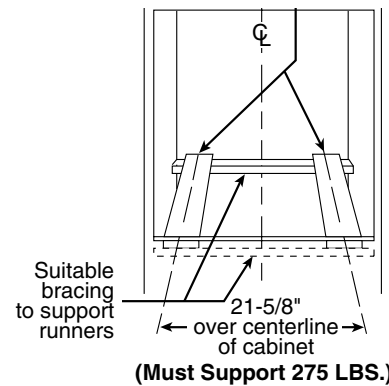
The opening between the inside walls must be at least 28-1/2" wide.

A = Allow minimum of 21" for clearance to adjacent corners, drawers, walls, etc., when door is opened.

B = Allow 11/16" for overlap of oven over side edges of cutout.

C = Allow 1" for overlap of oven—top and bottom of cutout.

Installation Information: Before installing, consult installation instructions packed with product for current dimensional data.



MOST 30" WALL CABINETS CAN BE USED WITH THIS UNIT
THE OPENING BETWEEN THE INSIDE WALLS MUST BE AT LEAST 28-1/2" WIDE

Note: Cabinets installed adjacent to wall ovens must have an adhesion spec of at least 194°

Specification Revised 2/00

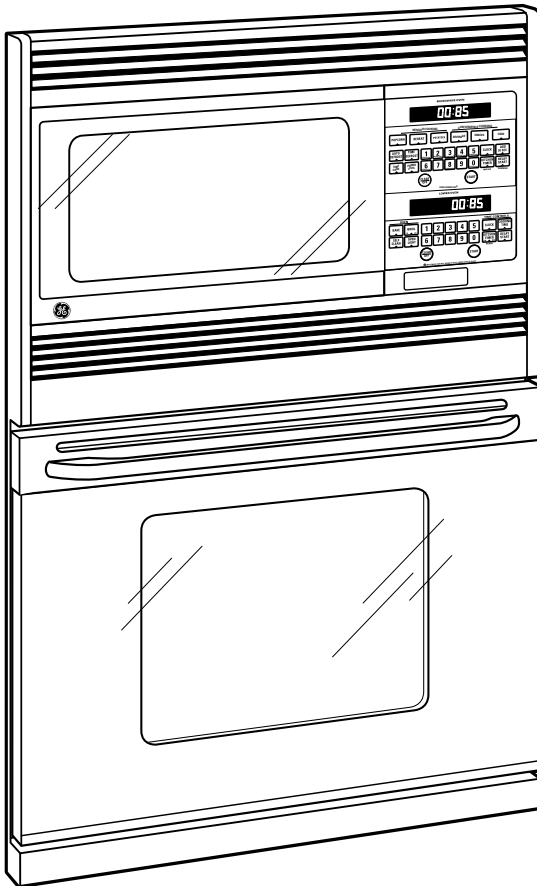
For answers to your Monogram,[®] GE Profile Performance Series,[™] GE Profile[™] or GE appliance questions, call GE Answer Center[®] service, 800.626.2000.





GE Appliances

JTP85WAWW - GE 30" Built-In Microwave/Double Oven



Features and Benefits

- Microwave Upper Oven
 - 1.6 cu ft Capacity
 - 1000 Watts
 - 10 Power Levels
 - Turntable
 - Sensor Cooking Controls for Popcorn, Potato and Reheat
 - Convenience Cooking Controls for Beverage, Snack and Cook
 - Auto Defrost
 - Lower Oven with TrueTemp™ System
 - 4.2 cu ft Capacity Self-Cleaning Oven
 - SmartSet Electronic Controls with Touchpads
 - Electronic Clock and Kitchen Timer
 - Variable Broil
 - Six-Pass Broil Element
 - Audible Preheat Signal
 - Broiler Pan with Grid
 - Delay Bake Option with Cook and Hold
 - 2 Oven Racks with 6 Embossed Rack Positions
 - Control Lock Capability
- Sure-Grip Designer-Style Handles
- 30" Oven Cabinet Width Required
 - JTP85WAWW - White on white
 - JTP85BABB - Black on black

Specification Revised 2/00