

SPACE MAKER® & WALL OVEN MICROWAVES

Bigger, Better, Brighter



Home Products and Services



We bring good things to life.

The Original Spacemaker®



Since its introduction in 1979, the GE Spacemaker award-winning microwave oven has been an indispensable part of the American kitchen. Today, its role is bigger than ever. Completely redesigned with ROOMY interiors, our Spacemaker microwaves hold up to six full-sized plates of food. They're not only larger — they're better. Quick Defrost and convection capabilities make Spacemaker microwaves ideal second ovens. And our new XL1800 microwaves feature improved built-in vortex venting, as well as brighter halogen interior and halogen cooktop lighting.

Quick Defrost

Quick Defrost lets you thaw a pound of ground beef up to 50% faster than our previous models. What used to take 6-1/2 minutes now defrosts in just 3 minutes.



Six-Plate Capacity

With its two baking racks and recessed turntable, the Spacemaker microwave oven (JVM1860) holds up to six dinner plates or three 9 x13 casserole dishes.



GE Innovation, Space-Saving Design

With so many features and over 20 years experience it is easy to see why people are making GE Spacemaker their microwave of choice. Ideal as a second oven, these microwaves complete your cooking center.



Before



After



JVM3660SD
Spacemaker microwave oven

GE Profile Spacemaker® Ovens with Convection/Microwave Cooking

These models include • Combination Microwave/Convection Cooking • Sensor Cooking (Chicken, Fish, Potato) • One Touch Sensor Cooking Controls for Popcorn, Beverage, Reheat • Multiple Combination Cooking Levels • Stainless Steel Interior • Auto and Time Defrost • Convection Rack • Programmable Nite Light **Note: bold = feature upgrade from previous model**



The JVM1490 preheats faster than ever before with advanced cooking technology.



Convection cooking combined with microwave power (Fast Bake), for cooking results up to 25% faster than conventional ovens.



Convection Cooking (Bake) provides a browned crisp exterior and moist interior.



GE Profile™ Spacemaker Oven

JVM1490SD Stainless steel

- 1.4 cu. ft. cavity • 900 Watts* • Fast Bake • Bake • Fast Defrost • Halogen Interior Lighting
- Halogen Cooktop Lighting • Two-Line Scrolling Display • Turntable • Powerful Two-Speed 300 CFM Venting • Bilingual Display



JVM1490WD White on white (not shown)
JVM1490CD Bisque (not shown)
JVM1490BD Black on black (not shown)

Available June 2001



GE Profile™ Spacemaker Oven

JVM1190WY White on white

- 1.1 cu. ft. cavity • 825 Watts* • Combination Bake Hi/Lo
- Convection Broil • SmartControl System with Interactive Display



JVM1190SY Stainless steel (not shown)
JVM1190BY Black on black (not shown)

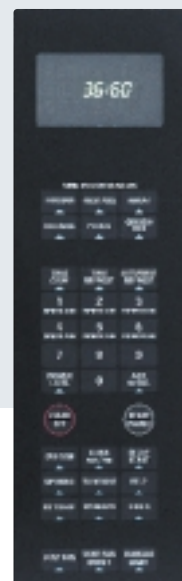
*IEC-705 Test Procedure

GE Profile 36" Spacemaker® Microwave Oven with Sensor Cooking

This model includes • 1.8 cu. ft. cavity • 1000 Watts* • 36" Width Application • One Touch Sensor Controls for Popcorn, Beverage, Vegetables, Potato, Ground Meat, Fish, Chicken Pieces and Reheat • Hidden Vent for Sleek Appearance • Large 14-1/4" Recessed Turntable • Turntable On/Off • Help Pad • Timer On/Off • Bright View Interior with Halogen Lamp • Halogen Cooktop Lighting • Auto Nite Light • Time Cook I & II • Auto, Time and Quick Defrost • Add 30 Seconds • Instant On Controls • Beeper Volume Control • Bilingual Display • Two-Line Scrolling Display • Child Lockout • Powerful Three-Speed plus Boost 300 CFM 36" Vortex Venting • Removable Cooking Rack • Easy Mount Installation



One Touch Sensor Controls automatically eliminate guesswork.



GE Profile™
36" Spacemaker
JVM3660SD Stainless steel
JVM3660BD Black on black (control panel shown)
JVM3660WD White on white (not shown)
JVM3660CD Bisque (not shown)

Available May 2001

GE Profile™ Wall Oven with Convection/Microwave Cooking

This model includes • 1.0 cu. ft. cavity • 800 Watts* • Convection Cooking • Combination Roast (probe) • Combination Cooking • Sensor Cooking Controls for Popcorn, Reheat, Beverage and Cook Pads • Express Cook



Convection cooking produces golden brown exteriors and moist interiors.



Shown in 30" width

GE Profile™
30" or 27" Convection Microwave
Wall Oven
JEB1095SB Stainless steel
JEB1095WB White on white (not shown)
JEB1095CB Bisque Available June 2001
JEB1095BB Black on black (not shown)

Convection/Microwave Wall Ovens provide a true built-in appearance. JEB1095 will fit a 27" or 30" cutout. A trim kit (included with all models) enables the unit to be adapted to a 30" width. Available in stainless steel, classic white and black.

*IEC-705 Test Procedure

GE Profile™ and GE Spacemaker® XL1800 Microwave Ovens

These models include • Large 14-1/4" Recessed Turntable • Delay Start • Reminder • Timer On/Off • Auto Nite Light • Time Cook I & II • Express Cook • Auto, Time and Quick Defrost • Add 30 Seconds • Instant On Controls • Beeper Volume Control • Bilingual Display • Two-Line Scrolling Display • Child Lockout • Big View Window • Powerful Three-Speed plus Boost 300 CFM Vortex Venting • Easy Mount Installation • Turntable On/Off **Note: bold = feature upgrade from previous model**



Six Plate Capacity with two baking racks and recessed turntable, holds up to six dinner plates or three 9 x 13 casserole dishes.



One Touch Sensor Controls automatically eliminate guesswork.



Quick Defrost lets you thaw a pound of ground beef up to 50% faster than our previous models.



Convenience Cooking Controls allow you to defrost, cook or reheat at the touch of a pad.

*IEC-705 Test Procedure



GE Profile™ Spacemaker XL1800 with Sensor Cooking

JVM1860BD Black on black

- 1.8 cu. ft. cavity • 1000 Watts* • **Hidden Vent for sleek appearance** • One Touch Sensor Cooking Controls for Popcorn, Beverage, Vegetables, Potato, **Ground Meat, Fish, Chicken Pieces** and Reheat
- Help Pad • Bright View Interior with Halogen Lamp • **Halogen Cooktop Lighting**
- **Two racks – 6 dinner plate capacity**

Available
May 2001



GE Spacemaker XL1800 with Sensor Cooking

JVM1850WD White on white

- 1.8 cu. ft. cavity • 1000 Watts* • One Touch Sensor Cooking Controls for Popcorn, Beverage, Vegetables, **Potato** and Reheat • **Bright View Interior with Halogen Lamp** • **Removable Cooking Rack, 2 positions**

Available
May 2001



GE Spacemaker XL1800 with Convenience Cooking

JVM1840BD Black on black

- 1.8 cu. ft. cavity • 1000 Watts* • Convenience Cooking Controls for Popcorn, Beverage, Reheat, Snacks, Vegetable and Cook • **Cooking Complete Reminder** • **Full-View Cooktop Lighting**
- **Removable Cooking Rack**

Available
May 2001



JVM1860WD

White on white
(control panel shown)

JVM1860SD

Stainless steel (not shown)

JVM1860CD

Bisque (not shown)



JVM1850BD

Black on black
(control panel shown)

JVM1851BD

Black on black
(not shown)

- Non-vented model

JVM1851WD

White on white (not shown)

- Non-vented model

JVM1850CD

Bisque (not shown)

JVM1851CD

Bisque (not shown)

- Non-vented model



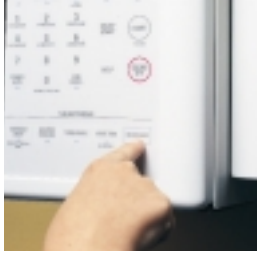
JVM1840WD

White on white
(control panel shown)

JVM1840CD

Bisque (not shown)

GE Profile Spacemaker® Microwave Oven with Sensor Cooking



Message Center allows you to leave audio messages for your family.



JVM1660WB
White on white
(not shown)
JVM1660CB
Bisque (not shown)
JVM1660AB
Almond on almond
(not shown)
JVM1660BB
Black on black
(not shown)

JVM1660 Rated #1 two years in a row by a leading consumer magazine in the category of over-the-range microwave ovens.

Available through June 2001

GE Profile™ Spacemaker Oven

JVM1660SB Stainless steel

- 1.6 cu. ft. cavity • 1000 Watts* • One Touch Sensor Cooking Controls for Popcorn, Beverage, Vegetables, Potato, **Chicken Pieces, Ground Meats, Fish Fillet** and Reheat • **Message Center** • **Appointment Scheduler** • Turntable On/Off • SmartControl System with Interactive Display • Express Cook • Time Cook I & II • Auto and Time Defrost • Help Pad • Add 30 Seconds • Instant On Controls • **Two racks –5 plate capacity**
- Powerful 300 CFM Venting

GE Spacemaker® Microwave Oven with Sensor/Convenience Cooking



One Touch Sensor Controls automatically eliminate guesswork.



This powerful 300 CFM-rated vortex venting system will remove smoke and steam from your cooktop.



JVM1650BB
Black on black
(not shown)

GE Spacemaker® Oven

JVM1650WB Stainless steel

- 1.6 cu. ft. cavity • 1000 Watts* • One Touch Sensor Cooking Controls for Popcorn, Reheat, Beverage, Potato and Vegetables • Convenience Cooking Controls for Cook and Snacks • Turntable On/Off • SmartControl System with Interactive Display • Express Cook • Time Cook I & II • Timer On/Off • Auto/Time Defrost • Help Pad • Add 30 Seconds • Instant On Controls • Full-View Cooktop Lighting • Beeper Volume Controls • Removable Cooking Rack • Child Lockout • Powerful 300 CFM Venting
- Easy Mount Installation

*IEC-705 Test Procedure

GE Spacemaker® Microwave Oven with Convenience Cooking

These models include • SmartControl System with Interactive Display • Time Cook I & II • Delay Start • Reminder • Auto/Time Defrost • Express Cook • Add 30 Seconds • 10 Power Levels • Instant On Controls • Timer On/Off • Child Lockout • Cooking Complete Reminder • Full-View Cooktop Lighting • Easy Mount Installation • Powerful 300 CFM Exhaust Fan **Note: bold = feature upgrade from previous model**



Auto and Time Defrost options automatically set time and power levels for fast defrosting.



JVM1640BB
Black on black
(not shown)
JVM1640AB
Almond on almond
(not shown)



Convenience Cooking Controls allow you to defrost, cook or reheat at the touch of a pad.

GE Spacemaker

JVM1640WB White on white

• 1.6 cu. ft. oven cavity • 1000 Watts* • Convenience Cooking Controls for Popcorn, Beverage, Cook and Reheat • CircuWave™ 1000 Cooking System • Turntable On/Off • Beeper Volume Control • Removable Cooking Rack



JVM1631BB
Black on black
(not shown)
• Non-vented model
JVM1630WB
White on white
(not shown)
JVM1631WB
White on white
(not shown)
• Non-vented model



Add 30 Seconds extends cooking time without the hassle of reprogramming.

GE Spacemaker

JVM1630BB Black on black

• 1.6 cu. ft. cavity • 1000 Watts* • Circuwave 1000 Cooking System • Convenience Cooking Controls for Popcorn, Beverage and Reheat Pads • Turntable



This powerful 300 CFM rated venting system will remove smoke and steam from your cooktop.



JVM1441BD
Black on black
(not shown)

Available through May 2001:
JVM1421BC
Black on black
(not shown)
• Turntable On only, without Cooking Rack
JVM1421WC
White on white
(not shown)
• Turntable On only, without Cooking Rack

Available May 2001

GE Spacemaker

JVM1441WD White on white

• 1.4 cu. ft. oven cavity • 950 Watts* • Convenience Cooking Controls for Popcorn, Beverage and Reheat • Add 30 Seconds • CircuWave™ Plus Cooking System • Turntable On/Off • Removable Cooking Rack • Non-Vented

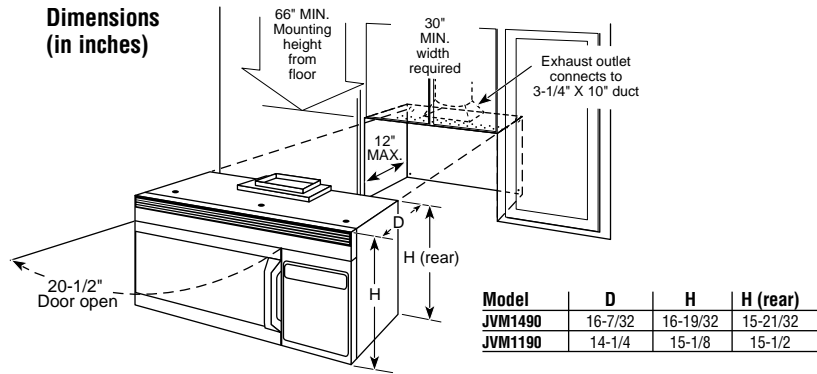
*IEC-705 Test Procedure

*IEC-705 Test Procedure

Spacemaker® Convection/Microwave Ovens

	GE Profile™	
	JVM1490SD JVM1490WD JVM1490CD JVM1490BD	JVM1190SY JVM1190WY JVM1190BY
Capacity		
Oven cavity (cu. ft.)	1.4	1.1
Features		
Watts (IEC-705 Test Procedure)	900	825
Controls	Membrane/Dial	Electronic Touch
SmartControl System w/Interactive Display	●	●
Electronic scrolling digital display w/Clock and AM/PM	2 lines	1 line
Variable Scroll Speed	●	●
Help Pad	●	●
Concurrent programming	●	●
Display On/Off / Bilingual	●/●	●/-
Cavity Lighting	Halogen	Incandescent
Cooktop Lighting	Halogen	Incandescent
Sensor Controls		
Cook	Chicken, Fish, Potato	
Beverage	●	●
Popcorn	●	●
Reheat	●	●
Vegetables (Canned/Fresh/Frozen)	●	●
Convection Controls	●	●
Convection Broil		Hi/Lo
Convection Bake/Fast Bake	●/●	●/-
Combination Roast		●
Sensor Combination		Chicken, Fish, Potato
Combination Bake		Hi/Lo
Express Cook (1-6 minutes)	●	●
Instant On Controls	●	●
Time Cook	I & II	I & II
Add 30 Seconds	●	●
Temp Cook	●	●
Auto/Time/Fast Defrost	●/●/●	●/●/-
Power levels	10	10
Delay Start	●	●
Night Light	●	●
Programmable Night Light	●	●
Timer On/Off	●	●
Reminder	●	●
Variable Beeper Volume Control	●	●
Cooking Complete Reminder	●	●
Child Lockout	●	●
Two-speed venting	●	●
Appearance		
Color appearance*	SS WW CC BB	SS WW BB
Case color	Stainless Steel White on white Bisque Black on black	Stainless Steel White on white Bisque Black on black
Door color	Stainless Steel White on white Bisque Black on black	Stainless Steel White on white Bisque Black on black
Designer-style handle	●	●
Weights & Dimensions		
Approx. shipping weight (lbs.)	98	98
WxHxD- JVM1490 (in inches)	Cavity 20-25/32 x 8-7/32 x 13-13/16 Exterior 29-7/8 x 16-7/32 x 15-21/32	
WxHxD- JVM1190 (in inches)	Cavity 18 x 8-1/16 x 12-1/2 Exterior 29-15/16 x 15-1/2 x 14-1/4	
Power/Ratings		
2450 Frequency (MHz)	●	●
Electrical input @ 120V	Watts 1800 Amperage 15	1300 12.5
Accessories		
Convection Rack/Broil Pan	●/-	●/●
Warranty		
Full One-Year In Home Warranty**	●	●
Limited Nine-Year Magnetron Warranty** (10 years total)	●	●

*SS = Stainless steel, WW = White on white, CC = Bisque, BB = Black on black.
**See written warranty for details.



Ventilation Options

The Spacemaker convection/microwave and Spacemaker microwave ovens are designed for adaptation to the following three types of ventilation:

Outside Exhaust (Vertical—as shown above)

Outside Exhaust (Horizontal)

Recirculating (Non-vented ductless—see Filter Kit Drawing, order JX81, JX81A or JX81B)

Requires 120V grounded outlet. Electrical receptacle must be located in cabinet above Spacemaker microwave/convection and Spacemaker microwave ovens. No additional wiring, venting or cabinet rebuilding necessary in many cases. Complete detailed, easy-to-follow installation instructions and convenient full-size templates are packed with product.

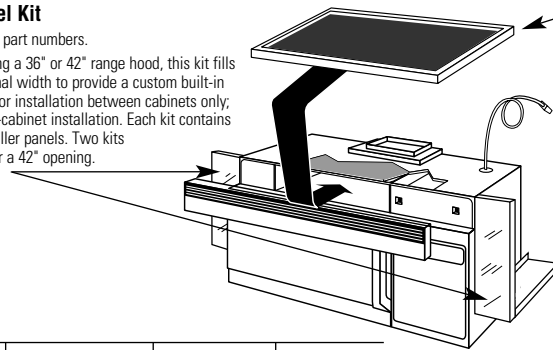
Important: When installing these ovens over a range, allow minimum of 2" from bottom of microwave oven to top of range backguard to allow for removal of light covers.

Optional Accessories (Available at additional cost)

Filler Panel Kit

See below for part numbers.

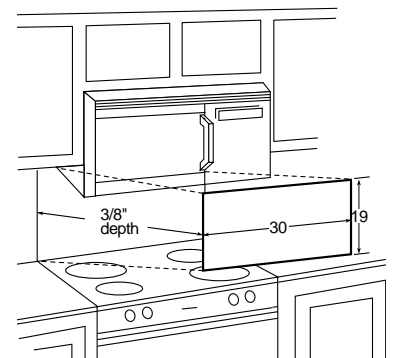
When replacing a 36" or 42" range hood, this kit fills in the additional width to provide a custom built-in appearance. For installation between cabinets only; not for end-of-cabinet installation. Each kit contains two 3"-wide filler panels. Two kits are needed for a 42" opening.



Recirculating Charcoal Filter Kit

See below for part numbers. To be used when the Spacemaker microwave oven cannot be vented to the outside. (Included with non-vented models.)

Model	Recirculating Charcoal Filter Kit	Filler Panel Kit	Decorative Panel Kit
JVM1190SY	JX81	JX41	JX22SS
JVM1190WY	JX81	JX40WH	JX22SS
JVM1190BY	JX81	JX41	JX22SS
JVM1490SD	JX81A	JX41	JX22SS
JVM1490WD	JX81A	JX40WH	JX22SS
JVM1490CD	JX81A	JX40CT	JX22SS
JVM1490BD	JX81A	JX41	JX22SS
JVM1440WD	JX81A	JX46WH	JX22SS
JVM1440BD	JX81A	JX46BL	JX22SS
JVM1640WB	JX81A	JX48WH	JX22SS
JVM1640AB	JX81A	JX48AL	JX22SS
JVM1640BB	JX81A	JX48BL	JX22SS
JVM1650WB	JX81A	JX48WH	JX22SS
JVM1650BB	JX81A	JX48BL	JX22SS
JVM1660SB	JX81A	JX48BL	JX22SS
JVM1660WB	JX81A	JX48WH	JX22SS
JVM1660CB	JX81A	JX48CT	JX22SS
JVM1660AB	JX81A	JX48AL	JX22SS
JVM1660BB	JX81A	JX48BL	JX22SS
JVM1840WD	JX81B	JX52WH	JX22SS
JVM1840CD	JX81B	JX52CT	JX22SS
JVM1840BD	JX81B	JX52BL	JX22SS
JVM1850WD	JX81B	JX52WH	JX22SS
JVM1850CD	JX81B	JX52CT	JX22SS
JVM1850BD	JX81B	JX52BL	JX22SS
JVM1860SD	JX81B	JX52BL	JX22SS
JVM1860WD	JX81B	JX52WH	JX22SS
JVM1860CD	JX81B	JX52CT	JX22SS
JVM1860BD	JX81B	JX52BL	JX22SS



JX22SS—Stainless Steel Decorative Panel Kit

When replacing a Hi/Low range with a Spacemaker microwave/convection oven or Spacemaker over a range model, this panel kit fills in the area between the microwave and range left by the Hi/Low model.



Listed by Underwriters Laboratories

This information is not intended to be used for installing unit described. Before installing, consult installation instructions packed with product/kit for current dimensional data.

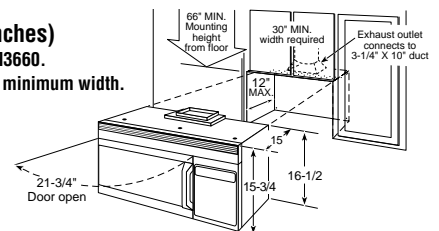
Spacemaker® Microwave Ovens

	GE Profile™		GE		GE Profile™		GE		
	JVM3660SD JVM3660WD JVM3660CD JVM3660BD	JVM1860SD JVM1860WD JVM1860CD JVM1860BD	JVM1850WD JVM1851WD* JVM1850CD JVM1851CD* JVM1850BD JVM1851BD*	JVM1840WD JVM1840CD JVM1840BD	JVM1660SB JVM1660WB JVM1660CB JVM1660AB JVM1660BB	JVM1650WB JVM1650BB	JVM1640WB JVM1640AB JVM1640BB	JVM1630WB JVM1631WB* JVM1630BB JVM1631BB*	JVM1441WD* JVM1421WC* JVM1441BD* JVM1421BC*
Capacity									
Oven cavity (cu. ft.)	1.8	1.8	1.8	1.8	1.6	1.6	1.6	1.6	1.4
Features									
Watts (IEC-705 Test Procedure)	1000	1000	1000	1000	1000	1000	1000	1000	950
Electronic touch controls	•	•	•	•	•	•	•	•	•
SmartControl System w/Interactive Display	•	•	•	•	•	•	•	•	•
VDF 2 lines scrolling	•	•	•	•	1 line	1 line	1 line	1 line	1 line
Demo Mode	•	•	•	•	•	•	•	•	•
Clock and AM/PM Pad	•	•	•	•	•	•	•	•	•
Clock Saver	•	•	•	•	•	•	•	•	•
Variable Scroll Speed	•	•	•	•	•	•	•	•	•
Help Pad	•	•	•	•	•	•	•	•	•
Concurrent programming	•	•	•	•	•	•	•	•	•
Display On/Off	•	•	•	•	•	•	•	•	•
Bilingual display	•	•	•	•	•	•	•	•	•
Sensor Controls									
Beverage	•	•	•	•	•	•	•	•	•
Chicken	•	•	•	•	•	•	•	•	•
Fish	•	•	•	•	•	•	•	•	•
Meats	•	•	•	•	•	•	•	•	•
Popcorn	•	•	•	•	•	•	•	•	•
Potatoes	•	•	•	•	•	•	•	•	•
Reheat	•	•	•	•	•	•	•	•	•
Vegetables	•	•	•	•	•	•	•	•	•
Appointment Scheduler Pad	•	•	•	•	•	•	•	•	•
Custom Pads	•	•	•	•	•	•	•	•	•
Message Center	•	•	•	•	•	•	•	•	•
Convenience Controls									
Beverage Pad	•	•	•	•	•	•	•	•	•
Cook Pad	•	•	•	•	•	•	•	•	•
Popcorn Pad	•	•	•	•	•	•	•	•	•
Reheat Pad	•	•	•	•	•	•	•	•	•
Snacks Pad	•	•	•	•	•	•	•	•	•
Express Cook (1-6 min.)	•	•	•	•	•	•	•	•	•
Instant On Controls	•	•	•	•	•	•	•	•	•
Time Cook	I & II	I & II	I & II	I & II	I & II	I & II	I & II	I & II	I & II
Add 30 Seconds	•	•	•	•	•	•	•	•	•
Temp. Cook/Roast (Probe)	•	•	•	•	•	•	•	•	•
Auto/Time/Quick Defrost	•/•/•	•/•/•	•/•/•	•/•/•	•/•/•	•/•/•	•/•/•	•/•/•	•/•/•
Power levels	10	10	10	10	10	10	10	10	10
Delay Start	•	•	•	•	•	•	•	•	•
Reminder	•	•	•	•	•	•	•	•	•
CircuWave™ Plus Cooking System	•	•	•	•	•	•	•	•	•
Cooking Rack(s)	1	2	1	1	2	1	1		1 / -
Turntable On/Off	•	•	•	•	•	•	•	•	• / -
Halogen interior lighting	•	•	•	•	•	•	•	•	•
Halogen cooktop lighting	•	•	•	•	•	•	•	•	•
Full-View cooktop lighting	•	•	•	•	•	•	•	•	•
Night light	•	•	•	•	•	•	•	•	•
Programmable nite light	•	•	•	•	•	•	•	•	•
Timer On/Off	•	•	•	•	•	•	•	•	•
Beeper sound level control	•	•	•	•	•	•	•	•	•
Cooking Complete Reminder	•	•	•	•	•	•	•	•	•
Child Lockout	•	•	•	•	•	•	•	•	•
Two-speed high-capacity exhaust fan	300 CFM	300 CFM	300 CFM	300 CFM	300 CFM	300 CFM	300 CFM	300 CFM	300 CFM
Easy Mount Installation	•	•	•	•	•	•	•	•	•
Appearance									
Color appearance**	SS/WW/CC/BB Stainless/White/ Bisque/Black	SS/WW/CC/BB Stainless/White/ Bisque/Black	WW/CC/BB White/Bisque/Black	WW/CC/BB White/Bisque/Black	SS/WW/CC/AA/BB Bisque/Almond/Black	WW/BB White/Black	WW/AA/BB Stainless/White/ Almond/Black	WW/BB White/ White/Black	WW/BB White/Black
Case color	•	•	•	•	•	•	•	•	•
Designer-style handle	•	•	•	•	•	•	•	•	•
Big View window	•	•	•	•	•	•	•	•	•
Weights & Dimensions									
Approx. shipping weight (lbs.)	69	67	68	68	67	67	67	67	67
WxHxD (in inches)	← 21-29/32 x 9-1/5 x 14-19/32 →		← 21-29/32 x 9-1/5 x 14-19/32 →		← 20-1/4 x 9-9/32 x 14-13/32 →		← 20-1/4 x 9-9/32 x 14-13/32 →		← 19-5/16 x 9-5/16 x 13-3/16 →
Exterior †	††	††	††	††	††	††	††	††	††
Power/Ratings									
2450 Frequency (MHz)	•	•	•	•	•	•	•	•	•
Electrical input @ 120V	1480 Watts	1480 Watts	1480 Watts	1480 Watts	1480 Watts	1480 Watts	1480 Watts	1480 Watts	1480 Watts
	15 Amperage	15 Amperage	15 Amperage	15 Amperage	15 Amperage	15 Amperage	15 Amperage	15 Amperage	15 Amperage
Warranty									
Full One-Year In-Home Warranty‡	•	•	•	•	•	•	•	•	•
Limited Nine-Year Magnetron Warranty‡ (10 years total)	•	•	•	•	•	•	•	•	•

* Non-vented model.
 ** SS = Stainless steel, WW = White on white, CC = Bisque, AA = Almond on almond, BB = Black on black.
 † Exterior dimensions: depth excludes handle.
 †† Model JVM3660—Exterior: 35-7/8 x 16-13/32 (rear) x 15.
 ††† Model JVM1420—Cavity: 19-5/16 x 9-5/16 x 13-3/16 Exterior: 29-7/8 x 16-1/2 (rear) x 14-15/16.
 ‡ See warranty for details.

NOTE: Convenience Popcorn Pad designed for use with 3 package sizes—3.5, 3.0 and 1.75 oz.
 This information is not intended to be used for installing unit described. Before installing, consult installation instructions packed with product/kit for current dimensional data.

Dimensions (in inches)
 All models except JVM3660.
 JVM3660 requires 36" minimum width.

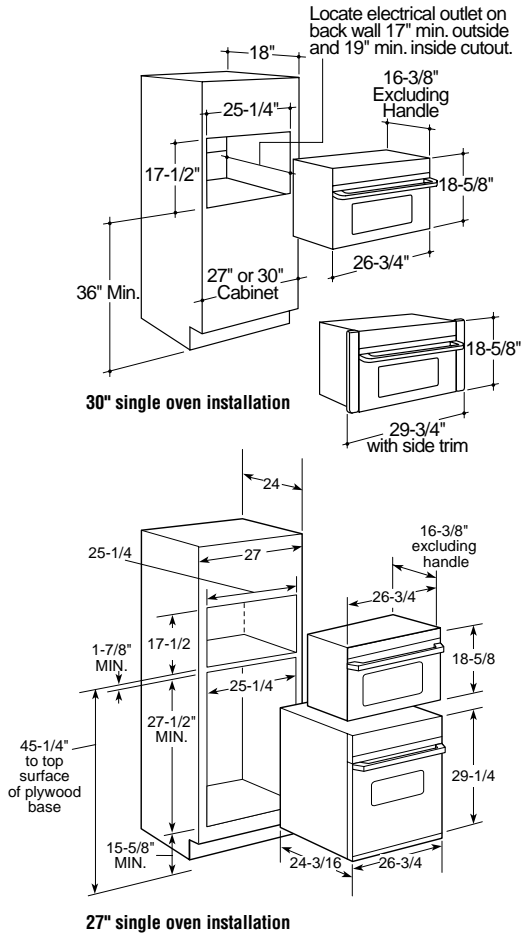


Convection/Microwave Wall Ovens

	GE Profile™		
	JEB1095SB	JEB1095WB JEB1095CB	JEB1095BB
Capacity			
Oven cavity (cu. ft.)	1.0	1.0	1.0
Features			
Watts (IEC-705 Test Procedure)	800	800	800
Electronic Touch Controls	●	●	●
Electronic digital display w/clock	●	●	●
Beverage Pad	Sensor	Sensor	Sensor
Cook Pad	Sensor	Sensor	Sensor
Popcorn Pad	Sensor	Sensor	Sensor
Reheat Pad	Sensor	Sensor	Sensor
Convection Cook	●	●	●
Combination Cook	●	●	●
Combination Roast (Probe)	●	●	●
Express Cook	●	●	●
Instant On Controls	●	●	●
Time Cook	I & II	I & II	I & II
Add 30 Seconds	●	●	●
Temp Cook/Hold (Probe)	●	●	●
Auto Defrost/Time Defrost	●	●	●
Power levels	10	10	10
Delay/Start Reminder	●	●	●
Minute Pad	●	●	●
Program cooking	5 Stage	5 Stage	5 Stage
Kitchen timer	99-M./99-S. Digital	99-M./99-S. Digital	99-M./99-S. Digital
Variable Beeper Volume	●	●	●
Cooking Complete Reminder	●	●	●
Appearance			
Color appearance*	SS	WW/CC	BB
Designer-style handle	●	●	●
Weights & Dimensions			
Approx. shipping wt. (lbs.)	84	84	84
WxHxD	Cavity	18x8-3/16x11-1/2	
(in inches)	Exterior†	26-3/4x18-5/8x16-3/8	
Power/Ratings			
2450 Frequency (MHz)	●	●	●
Electrical input	Watts	1450	1450
@ 120V	Amperage	13.0	13.0
Accessory			
Deluxe cookbook	●	●	●
Wire oven rack	●	●	●
30" trim kit (included)	●	●	●
Warranty			
Full One-Year In-Home Warranty**	●	●	●
Limited Nine-Year Magnetron Warranty*** (10 years total)	●	●	●

*SS = Stainless steel, WW = White on white, CC = Bisque, BB = Black on black.
 ** See written warranty for details.
 † Exterior dimensions: depth excludes handle.

Cut-Out and Dimensional Information (in inches)



This information is not intended to be used for installing unit described. Before installing, consult installation instructions packed with product/kit for current dimensional data.



Listed by Underwriters Laboratories

GE has a microwave for every kitchen.



**GE Profile™ Convection/
Microwave Wall Ovens**

Offering a true built-in look, these ovens bring added space and visual appeal to the kitchen. Our wall oven is designed to fit 27" or 30" installations. Available now in stainless steel and, in June 2001, new bisque!



**Spacemaker® Over-The-Range
Microwave Ovens**

These ovens complete the cooking center and make the most of consumers' time and kitchen space. Powerful venting and lighting systems are integrated into the base of each oven, eliminating the need for a range hood.



Countertop Microwave Ovens

These ovens offer tremendous flexibility, with a variety of color, size and feature options. There's a GE countertop microwave for every kitchen: Build them into a wall, hang them from a cabinet or set them on a shelf.

Industry leading service support from—



America's
#1
Preferred
Appliance
Brand

GE is the appliance brand most often mentioned among the brands rated as offering the best products and services in America.*

*Source: *Louis Harris Poll* – 2000

GE Appliances on the Web
www.GEAppliances.com

Everything you want to know about GE appliances.

The GE Answer Center®
800.626.2000

Questions? Call anytime.

GE Genuine Parts
800.626.2002

Accessories to enhance, upgrade or fix it.

GE Appliance Service
800.432.2737
(800.GE.CARES)

Product service at your convenience.



GE Appliances

General Electric Company
Louisville, Kentucky 40225
www.GEAppliances.com

GE has a policy of continuous improvement of its products and reserves the right to change materials and specifications without notice.

© 2001 General Electric Company
Pub. No. 4-S271 PC23626