

# JVM1430BD/WD

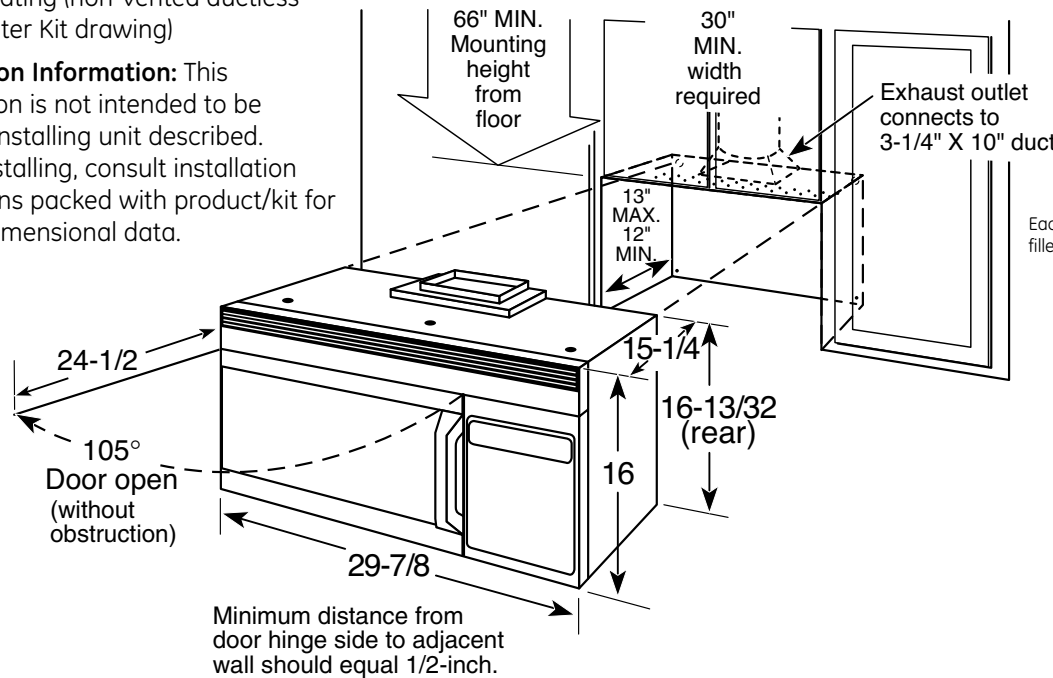
## GE Spacemaker® 1.4 Cu. Ft. Capacity Over-the-Range Microwave Oven

### Dimensions and Installation Information (in inches)

**Ventilation Options:** The Spacemaker microwave ovens are designed for adaptation to the following three types of ventilation:

- Outside exhaust (vertical – as shown)
- Outside exhaust (horizontal)
- Recirculating (non-vented ductless – see Filter Kit drawing)

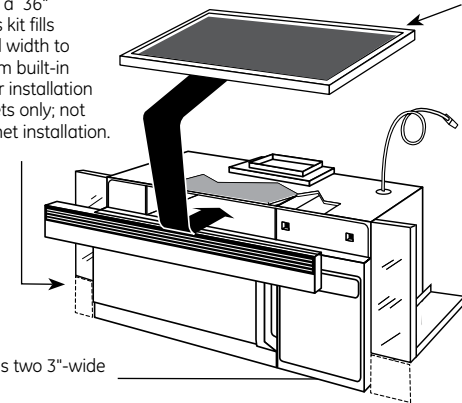
**Installation Information:** This information is not intended to be used for installing unit described. Before installing, consult installation instructions packed with product/kit for current dimensional data.



### Optional Accessories (Available at additional cost)

JX41/JX46BL-Black Filler Panel Kit  
JX40WH/JX46WH-White Filler Panel Kit

When replacing a 36" range hood, this kit fills in the additional width to provide a custom built-in appearance. For installation between cabinets only; not for end-of-cabinet installation.



**Filter Kits JX81A-Recirculating Charcoal Filter Kit** To be used when the Spacemaker microwave oven cannot be vented to the outside.

Each kit contains two 3"-wide filler panels.

For answers to your Monogram®, GE Profile™ or GE® appliance questions, visit our website at [ge.com](http://ge.com) or call GE Answer Center® service, 800.626.2000.



imagination at work



Listed by Underwriters Laboratories

# JVM1430BD/WD

## GE Spacemaker® 1.4 Cu. Ft. Capacity Over-the-Range Microwave Oven

### Features and Benefits

- 1.4 Cu. Ft. Capacity/950 Watts\*
- Electronic Scrolling Digital Display with Clock and AM/PM Pad
- Convenience Cooking Control Pads for Beverage, Popcorn and Reheat
- Auto Defrost/Time Defrost
- Express Cook with Instant On Controls
- 10 Power Levels
- Glass Turntable
- Cooktop Lighting with Night Light Setting
- Help Pad
- Full One Year Product; Limited Ten Year Magnetron Warranty
- Model JVM1430WD - White on white
- Model JVM1430BD - Black on black

\*IEC-705 Test Procedure

