



• six-plate capacity • convection cooking • 2003 contract sales product specifications • even heating and defrosting • easyguide

GE Profile[™] and GE[®] Spacemaker[®] and Wall Oven Microwaves

Bold appearance. Powerful technology. Exceptional results.

imagination at work



R

einventing
the original.

In 1979, GE revolutionized microwave cooking with the

introduction of the original Spacemaker® oven. Today,

GE Profile™ and GE® Spacemaker ovens usher in a new

era of microwave innovation. An advanced cooking

system heats and defrosts with perfectly even results,

an easy-to-use touchscreen menu and a 2.0 cu. ft.,

two-oven rack interior make microwave cooking

more convenient than ever.

Outside, clean lines and

bold curves offer a truly

dramatic look. A breakthrough

in technology and design,

new Spacemaker ovens

are the ultimate tools

for everyday cooking.



Dual-distribution cooking system

Circulates microwaves from the top and side of the oven for even heating and defrosting of food.



1 lb. Quick Defrost

Convenient setting lets you thaw a pound of chicken, fish or meat up to 50% faster than our previous models. What used to take 6-1/2 minutes now defrosts in just 3 minutes.



Timesaving technology, spacesaving design

For more than 20 years, the Spacemaker microwave oven has been an indispensable part of the American kitchen. With its many innovative features and compact design, this award-winning oven saves precious time and space.



Before



After



GE Profile Spacemaker® Oven with Convection/Microwave Cooking

These models include • 1.4 cu. ft. cavity • 900 watts* • Fast Bake (combination convection/microwave cooking) • **Fast Defrost** • Halogen interior and cooktop lighting • Two-line scrolling display • Turntable • Bilingual display (English/Spanish) • Sensor cooking controls • SmartControl system with interactive display • Stainless steel interior • Auto/Time Defrost • Convection oven rack • Powerful two-speed venting

Note: bold = feature upgrade from previous model



User-friendly controls offer access to a variety of programmable options, and the two-line scrolling display simplifies the cooking process.



Convection cooking combined with microwave power (Fast Bake), provides cooking results up to 25% faster than conventional ovens.



Convection cooking produces golden brown exteriors and moist interiors.



*GE Profile™
Spacemaker Convection Microwave Oven*

JVM1490SH Stainless steel

Available January 2004



*GE Profile™
Spacemaker Convection Microwave Oven*

JVM1490CH Bisque on bisque

Available January 2004



JVM1490WH
White on white
(not shown)

JVM1490BH
Black on black
(not shown)

GE Profile Spacemaker 2.0 Microwave Oven with Sensor Cooking

- These models include** • 2.0 cu. ft. cavity • 1100 watts* • Dual-distribution cooking system • EasyGuide™ menu system • Soften feature • Melt feature • Large 14-1/4" recessed turntable • Sensor cooking controls • Turntable On/Off • Auto, Time and 1 lb. Quick Defrost • Sculptured handle • Filter replacement reminder • Sleep mode • Interactive demo mode • Powerful three-speed plus boost 315-CFM venting • Two removable oven racks
- Note: bold = feature upgrade from previous model**



Soften feature perfectly softens heavy foods like butter and cream cheese, as well as frozen ice cream.



Melt feature offers a quick, easy way to melt foods like butter, caramel, chocolate and cheese.



Halogen cooktop lighting illuminates every inch of the cooking surface. The powerful, 315-CFM venting system offers three speeds and a boost option.



The industry's largest turntable—a removable, 14-1/4" recessed glass turntable easily handles 5-qt. casserole dishes.



GE Profile Spacemaker Sensor Oven

JVM2070SH Stainless steel



GE Profile Spacemaker Sensor Oven

JVM2070BH Black on black



JVM2070WH
White on white
(not shown)

JVM2070CH
Bisque on bisque
(not shown)

*IEC-705 Test Procedure

Not all features available on all models.

GE Profile Spacemaker® XL1800 Microwave Oven with Sensor Cooking

- These models include** • 1.8 cu. ft. cavity • 1100 watts* • **Two oven racks** • Powerful three-speed plus boost 300-CFM vortex venting
 • CircuWave™ 1100 cooking system • Large 14-1/4" recessed turntable • Sensor cooking controls • Auto, Time and 1 lb. Quick Defrost
 • **Sculptured handle** • Hidden vent • Halogen interior and cooktop lighting • Turntable On/Off **Note: bold = feature upgrade from previous model**



Built-in sensors measure food moisture levels during cooking and automatically adjust time and power.



Powerful 300-CFM vortex venting quickly removes smoke and steam from the cooktop



Six-plate capacity, with two-oven racks and recessed turntable, holds up to six dinner plates or three 9" x 13" casserole dishes.



*GE Profile™
Spacemaker Sensor Oven*

JVM1870SF Stainless steel



JVM1871SH
Stainless steel
(not shown)
• Non-vented model



*GE Profile™
Spacemaker Sensor Oven*

JVM1870WF White on white



JVM1870CF
Bisque on bisque
(not shown)
JVM1870BF
Black on black
(not shown)

*IEC-705 Test Procedure

Not all features available on all models.

GE Profile Spacemaker XL1800 36" Microwave Oven with Sensor Cooking

Note: bold = feature upgrade from previous model



Built-in sensors measure food moisture levels during cooking and automatically adjust time and power.



Powerful 300-CFM vortex venting quickly removes smoke and steam from the cooktop



- JVM3670WF**
White on white (not shown)
- JVM3670CF**
Bisque on bisque (not shown)
- JVM3670BF**
Black on black (not shown)

GE Profile 36" Spacemaker Sensor Oven

JVM3670SF Stainless steel

- 1.8 cu. ft. cavity • 1100 watts* • **CircuWave™ 1100 cooking system** • Large 14-1/4" recessed turntable • Sensor cooking controls • **Auto, Time and 1 lb. Quick Defrost** • Sculptured handle • **Hidden vent** • **Halogen cooktop lighting** • **Turntable On/Off** • • 36" width application • **Powerful three-speed plus boost 300-CFM 36" vortex venting** • Removable oven rack

GE Profile Wall Oven with Convection/Microwave Cooking

Note: bold = feature upgrade from previous model



Convection cooking produces golden brown exteriors and moist interiors.



Combination roast produces tender and juicy meats with beautifully brown exteriors.



Shown in 30" width

GE Profile 30" or 27" Convection Microwave Wall Oven

JEB1095SB Stainless steel

- 1.0 cu. ft. cavity • 800 watts* • **Convection cooking**
- **Combination roast (probe)** • **Combination convection/microwave cooking** • Sensor cooking controls • **Express Cook**

- JEB1095WB**
White on white (not shown)
- JEB1095CB**
Bisque on bisque (not shown)
- JEB1095BB**
Black on black (not shown)

Convection/Microwave Wall Ovens provide a true built-in appearance. JEB1095 will fit a 27" or 30" cutout. A trim kit (included with all models) enables the unit to be adapted to a 30" width. Available in stainless steel, white, bisque and black.

*IEC-705 Test Procedure

Not all features available on all models.

GE Spacemaker® 2.0 Microwave Oven with Sensor Cooking

These models include • 2.0 cu. ft. cavity • 1100 watts* • **Dual-distribution cooking system** • SmartControl system with interactive display
 • Large 14-1/4" recessed turntable • Turntable On/Off • Sensor cooking controls • Auto, Time and 1 lb. Quick Defrost • Halogen cooktop lighting • Powerful three-speed plus boost 300-CFM vortex venting • Removable oven rack, two-positions

Note: bold = feature upgrade from previous model



Circulates microwaves from the top and side of the oven for even heating and defrosting, of food.



1 lb. Quick Defrost lets you thaw a pound of chicken, fish or meat up to 50% faster than our previous models.



The industry's largest turntable—a removable, 14-1/4" recessed glass turntable easily handles 5-qt. casserole dishes.



GE®
 Spacemaker Sensor Oven

JVM2050WH White on white



GE
 Spacemaker Sensor Oven

JVM2050CH Bisque on bisque



JVM2050BH
 Black on black
 (not shown)

*IEC-705 Test Procedure

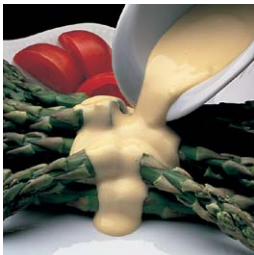
Not all features available on all models.

GE Spacemaker XL1800 Microwave Oven with Sensor Cooking

Note: bold = feature upgrade from previous model



Built-in sensors measure food moisture levels during cooking and automatically adjust time and power.



Add 30 seconds extends cooking time without the hassle of reprogramming.



GE Spacemaker Sensor Oven
JVM1850SH Stainless steel

- 1.8 cu. ft. cavity • 1100 watts* • **CircuWave™ 1100 cooking system** • Large 14-1/4" recessed turntable • Sensor cooking controls • **Auto, Time and 1 lb. Quick Defrost**
- Add 30 seconds • **Bilingual display (English/Spanish)** • **Two-line scrolling display**
- **Powerful three-speed plus boost 300-CFM vortex venting** • Turntable On/Off
- Removable oven rack, two-positions

Available January 2004



- JVM1851SH** Stainless steel (not shown)
- Non-vented model
- JVM1850WH** White on white (not shown)
- JVM1851WH** White on white (not shown)
- Non-vented model
- JVM1850CH** Bisque on bisque (not shown)
- JVM1851CH** Bisque on bisque (not shown)
- Non-vented model
- JVM1850BH** Black on black (not shown)
- JVM1851BH** Black on black (not shown)
- Non-vented model

GE Spacemaker Microwave Oven with Sensor/Convenience Cooking

Note: bold = feature upgrade from previous model



Built-in sensors measure food moisture levels during cooking and automatically adjust time and power.



This powerful 300-CFM-rated venting system removes smoke and steam from the cooktop.



GE Spacemaker Sensor/Convenience Oven
JVM1650SH Stainless steel

- 1.6 cu. ft. cavity • 1000 watts* • CircuWave cooking system • **Sensor cooking controls** • Convenience cooking controls • **Turntable On/Off** • Auto/Time Defrost • Help pad • Add 30 seconds • Full-view cooktop lighting • **Removable oven rack, two positions** • Powerful 300-CFM venting • Easy mount installation

Available January 2004



- JVM1650WH** White on white (not shown)
- JVM1650CH** Bisque on bisque (not shown)
- JVM1650BH** Black on black (not shown)

*IEC-705 Test Procedure

Not all features available on all models.

GE Spacemaker® Microwave Ovens with Convenience Cooking

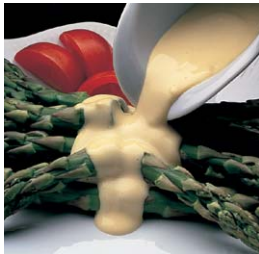
These models include • SmartControl system with interactive display • CircuWave™ cooking system • Convenience cooking controls • Delay Start • Auto/Time Defrost • Express Cook • Add 30 seconds • Instant On controls • Timer On/Off • Full-view cooktop lighting • Easy mount installation • Powerful 300-CFM exhaust fan **Note: bold = feature upgrade from previous model**



Auto Defrost option automatically sets time and power level for fast defrosting.



Convenience cooking controls allow you to defrost, cook or reheat at the touch of a pad.



Add 30 seconds extends cooking time without the hassle of reprogramming.



This powerful 300-CFM-rated venting system removes smoke and steam from the cooktop.



GE®
Spacemaker Convenience Oven

JVM1640WH White on white
• 1.6 cu. ft. oven cavity • 1000 watts* • **Turtable On/Off**
• **Removable oven rack**

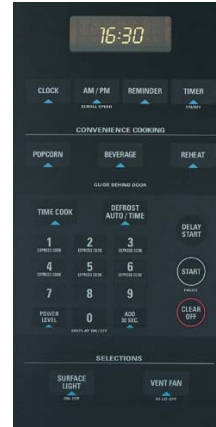


JVM1640AH
Almond on almond (not shown)
JVM1640BH
Black on black (not shown)



GE
Spacemaker Convenience Oven

JVM1630BH Black on black
• 1.6 cu. ft. cavity • 1000 watts*



JVM1631BH
Black on black (not shown)
• Non-vented model
JVM1630WH
White on white (not shown)
JVM1631WH
White on white (not shown)
• Non-vented model
JVM1630CH
Bisque on bisque (not shown)
JVM1631CH
Bisque on bisque (not shown)
• Non-vented model

*IEC-705 Test Procedure

Not all features available on all models.



JVM1441SH
Stainless steel
(not shown)
• Non-vented model

JVM1440WH
White on white
(not shown)

JVM1441WH
White on white
(not shown)
• Non-vented model

JVM1440BH
Black on black
(not shown)

JVM1441BH
Black on black
(not shown)
• Non-vented model

GE
Spacemaker Convenience Oven

Available January 2004

JVM1440SH Stainless steel
• 1.4 cu. ft. oven cavity • 950 watts* • Turntable On/Off
• Removable oven rack



JVM1430BD
Black on black
(not shown)

GE
Spacemaker Convenience Oven

JVM1430WD White on white
• 1.4 cu. ft. oven cavity • 950 watts* • Turntable

*IEC-705 Test Procedure

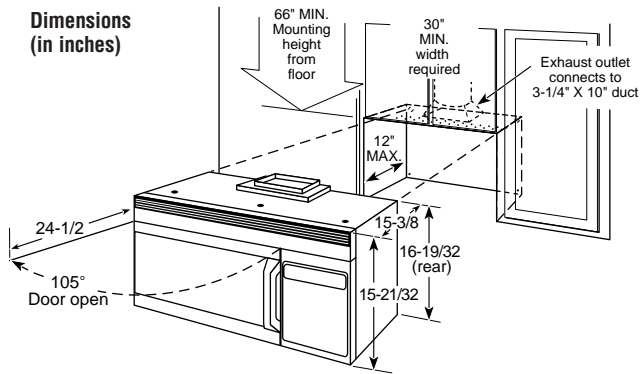
Not all features available on all models.

GE Profile Spacemaker® Convection/Microwave Ovens

	GE Profile™	
	JVM1490SH	JVM1490WH JVM1490CH JVM1490BH
Capacity		
Oven cavity (cu. ft.)	1.4	1.4
Features		
Watts (IEC-705 Test Procedure)	900	900
Controls	Membrane/Dial	Membrane/Dial
SmartControl system w/interactive display	●	●
Electronic scrolling digital display w/clock and AM/PM	2-Line	2-Line
Variable scroll speed	●	●
Help pad	●	●
Concurrent programming	●	●
Display On/Off	●	●
Bilingual display (English/Spanish)	●	●
Cavity lighting	Halogen	Halogen
Cooktop lighting	Halogen	Halogen
Sensor controls	Chicken, Fish, Potato	Chicken, Fish, Potato
Cook	●	●
Beverage	●	●
Popcorn	●	●
Reheat	●	●
Vegetables (canned/fresh/frozen)	●	●
Convection controls		
Convection bake	●	●
Fast Bake	●	●
Express Cook (1-6 minutes)	●	●
Instant On controls	●	●
Time cook	I & II	I & II
Add 30 seconds	●	●
Temp cook	●	●
Auto/Time defrost	●/●	●/●
Fast defrost	●	●
Power levels	10	10
Programmable night light	●	●
Timer On/Off	●	●
Variable beeper volume control	●	●
Cooking complete reminder	●	●
Child lockout	●	●
Two-speed venting	●	●
Appearance		
Color appearance	Stainless steel	White on white Bisque on bisque Black on black
Case color	Black	White Bisque Black
Designer-style handle	●	●
Weights & Dimensions		
WxHxD	Cavity	21-3/32 x 8-7/32 x 14-3/32
(in inches)	Exterior	29-7/8 x 15-21/32 x 15-3/8
Approx. shipping weight (lbs.)		98
Power/Ratings		
2450 Frequency (MHz)		●
Electrical input @ 120V	Watts	1800
	Amperage	15
Accessories		
Convection rack	●	●
Cooking guide	●	●
Cookbook	●	●
Warranty		
Full one-year in home warranty*	●	●
Limited nine-year magnetron warranty* (10 years total)	●	●

*See written warranty for details.

Dimensions (in inches)



Ventilation Options

The Spacemaker convection/microwave and Spacemaker microwave ovens are designed for adaptation to the following three types of ventilation:

Outside Exhaust (Vertical—as shown above)

Outside Exhaust (Horizontal)

Recirculating (Non-vented ductless—see Filter Kit Drawing, order JX81A or JX81B)

Requires 120V grounded outlet. Electrical receptacle must be located in cabinet above Spacemaker microwave/convection and Spacemaker microwave ovens. No additional wiring, venting or cabinet rebuilding necessary in many cases. Complete detailed, easy-to-follow installation instructions and convenient full-size templates are packed with product.

Important: When installing these ovens over a range, allow minimum of 2" from bottom of microwave oven to top of range backguard to allow for removal of light covers.

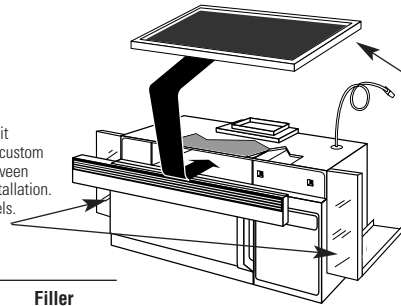
Optional Accessories

(Available at additional cost)

Filler Panel kit

See below for part numbers.

When replacing a 36" range hood, this kit fills in the additional width to provide a custom built-in appearance. For installation between cabinets only; not for end-of-cabinet installation. Each kit contains two 3"-wide filler panels.



Recirculating Charcoal Filter kit

See below for part numbers. To be used when the Spacemaker microwave oven cannot be vented to the outside. (Included with non-vented models.)

Model	Recirculating Charcoal Filter kit	Filler Panel kit
JVM1430WD	JX81A	JX46WH
JVM1430BD	JX81A	JX46BL
JVM1440SH	JX81A	JX46BL
JVM1440WH	JX81A	JX46WH
JVM1440BH	JX81A	JX46BL
JVM1490SH	JX81A	JX46BL
JVM1490WH	JX81A	JX46WH
JVM1490CH	JX81A	—
JVM1490BH	JX81A	JX46BL
JVM1630WH	JX81D	JX48WH
JVM1630CH	JX81D	—
JVM1630BH	JX81D	JX48BL
JVM1640WH	JX81D	JX48WH
JVM1640AH	JX81D	—
JVM1640BH	JX81D	JX48BL
JVM1650SH	JX81A	JX48BL
JVM1650WH	JX81A	JX48WH
JVM1650CH	JX81A	—
JVM1650BH	JX81A	JX48BL
JVM1850SH	JX81B	JX52BL
JVM1850WH	JX81B	JX52WH
JVM1850CH	JX81B	—
JVM1850BH	JX81B	JX52BL
JVM1870SF	JX81B	JX52BL
JVM1870WF	JX81B	JX52WH
JVM1870CF	JX81B	—
JVM1870BF	JX81B	JX52BL
JVM3670SF	JX81B	—
JVM3670WF	JX81B	—
JVM3670CF	JX81B	—
JVM3670BF	JX81B	—
JVM2050WH	JX81H	JX52WH
JVM2050CH	JX81H	—
JVM2050BH	JX81H	JX52BL
JVM2070SH	JX81H	JX52BL
JVM2070WH	JX81H	JX52WH
JVM2070CH	JX81H	—
JVM2070BH	JX81H	JX52BL



Listed by Underwriters Laboratories

This information is not intended to be used for installing unit described. Before installing, consult installation instructions packed with product/kit for current dimensional data.

GE Profile Spacemaker 2.0 Microwave Oven

	GE Profile	
	JVM2070SH	JVM2070WH JVM2070CH JVM2070BH
Capacity		
Cavity size	2.0	2.0
Features		
Watts (IEC-705 test procedure)	1100	1100
EasyGuide™ menu system	●	●
Sensor controls	●	●
Power levels	10	10
Dual-distribution cooking system	●	●
Kitchen timer	●	●
315-CFM vent fan	Lo/mid/high/off + boost	Lo/mid/high/off + boost
Halogen cooktop lighting	●	●
Recessed turntable	●	●
Turntable on/off	●	●
Easy mount installation	●	●
COOK Touch Control features	Instant-on 30 sec & 1 - 6 minutes	Instant-on 30 sec & 1 - 6 minutes
Express Cook	●	●
Time Cook and Time Cook I & II	●	●
Add 30 Sec	●	●
Select Food	●	●
Select Beverage	●	●
Soften	●	●
Melt	●	●
Delay Start	●	●
REHEAT Touch Control features		
Select food/beverage	●	●
DEFROST Touch Control features		
Select time	●	●
Select weight	●	●
Select food	●	●
1 lb. Quick Defrost	●	●
Soften	●	●
Melt	●	●
Delay	●	●
CUSTOM 1 and 2 Touch Controls	●	●
OPTIONS Touch Control features		
Reminder (24hr.)	●	●
Beeper volume	●	●
Filter reminder	●	●
Clock w/ clock saver	●	●
Child lockout	●	●
Cooking complete reminder	●	●
Display on/off	Auto sleep mode	Auto sleep mode
Help Key	●	●
Sleep Mode/Wake up Touch	●	●
Auto night light	●	●
Interactive demo mode	●	●
Appearance		
Color appearance*	SS	WW/CC/BB
Case color	Black	White/Bisque/Black
LED, LCD Display control panel	with tactile vent/light buttons	with tactile vent/light buttons
Sculptured handle	●	●
Weights & Dimensions		
WxHxD Cavity	21-9/16 x 10-9/16 x 14-13/16	
(in inches) Exterior**	29-7/8 x 16-11/32 x 15-7/16	
Approx. shipping weight	72	72
Power/Ratings		
Input Volt/Hz	120/60	120/60
Input Amps/Watts (max)	15/1480	15/1480
Accessories		
Oven rack(s)	2 (2 positions)	2 (2 positions)
Warranty		
Full one-year in-home warranty†	●	●
Limited nine-year magnetron warranty††	●	●

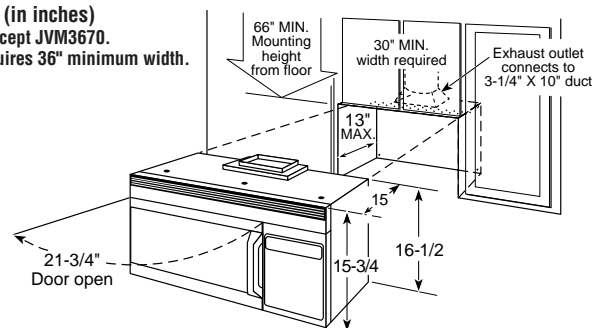
*SS = Stainless steel, WW = White on white, CC = Bisque on bisque, BB = Black on black.
**Exterior dimensions: depth excludes handle.
†See warranty for details.

GE Profile Spacemaker Microwave Ovens

	GE Profile	
	JVM3670SF JVM3670WF JVM3670CF JVM3670BF	JVM1870SF JVM1871SH* JVM1870WF JVM1870CF JVM1870BF
Capacity		
Oven cavity (cu. ft.)	1.8	1.8
Features		
Watts (IEC-705 Test Procedure)	1100	1100
Electronic touch controls	●	●
SmartControl system w/interactive display	●	●
Scrolling display	2 Line	2 Line
Clock and AM/PM pad	●	●
Variable scroll speed	●	●
Help pad	●	●
Concurrent programming	●	●
Bilingual display (English/Spanish)	●	●
Sensor controls	Beverage Chicken/Fish Popcorn Potatoes Reheat Vegetables	● ● ● ● ● ●
Custom pads	●	●
Express Cook (1-6 min.)	●	●
Instant On controls	●	●
Time cook	I & II	I & II
Add 30 seconds	●	●
Auto/Time/1 lb. Quick Defrost	●/●/●	●/●/●
Power levels	10	10
Delay Start/Reminder	●	●
CircuWave™ 1100 cooking system	●	●
Recessed turntable	●	●
Turntable On/Off	●	●
Halogen interior/cooktop lighting	●	●
Programmable night light	●	●
Timer On/Off	●	●
Cooking complete reminder	●	●
Child lockout	●	●
300-CFM exhaust fan	3-Speed plus boost	3-Speed plus boost
Appearance		
Color appearance**	SS/WW/CC/BB	SS/WW/CC/BB
Case color	Black/White/Bisque/Black	Black/White/Bisque/Black
Sculptured handle	●	●
Big view window	Bright view	Bright view
Weights & Dimensions		
36" width application	●	●
Cavity	21-29/32 x 9-1/2 x 14-19/32	21-29/32 x 9-1/2 x 14-19/32
WxHxD (in inches) Exterior†	35-7/8 x 16-13/32 (rear) x 15	29-7/8 x 16-13/32 (rear) x 15
Approx. shipping weight (lbs.)	69	67
Power/Ratings		
2450 Frequency (MHz)	●	●
Electrical input Watts	1480	1480
@ 120V Amperage	15	15
Accessories		
Cooking guide label	●	●
Cookbook	●	●
Oven rack(s)	1	2
Warranty		
Full one-year in-home warranty††	●	●
Limited nine-year magnetron warranty††† (10 years total)	●	●

*Non-vented model.
**SS = Stainless steel, WW = White on white, CC = Bisque on bisque, BB = Black on black.
†Exterior dimensions: depth excludes handle.
††See warranty for details.

Dimensions (in inches) All models except JVM3670. JVM3670 requires 36" minimum width.



This information is not intended to be used for installing unit described. Before installing, consult installation instructions packed with product/kit for current dimensional data.

GE Profile™ Convection/Microwave Wall Ovens

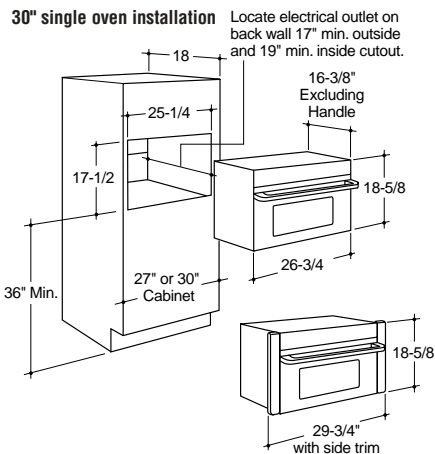
	GE Profile	
	JEB1095SB	JEB1095WB JEB1095CB JEB1095BB
Capacity		
Oven cavity (cu. ft.)	1.0	1.0
Features		
Watts (IEC-705 Test Procedure)	800	800
Electronic touch controls	●	●
Electronic digital display w/clock	●	●
Sensor controls		
Beverage	●	●
Cook	●	●
Popcorn	●	●
Reheat	●	●
Convection cook	●	●
Combination cook	●	●
Combination roast (probe)	●	●
Express Cook	●	●
Instant On controls	●	●
Time cook	I & II	I & II
Add 30 seconds	●	●
Temp cook/Hold (probe)	●	●
Auto defrost	●	●
Time defrost	●	●
Power levels	10	10
Delay/Start reminder	●	●
Minute pad	●	●
Program cooking	5-Stage	5-Stage
Kitchen timer	99-M./99-S. Digital	99-M./99-S. Digital
Variable beeper volume	●	●
Cooking complete reminder	●	●
Appearance		
Color appearance*	SS	WW/CC/BB
Case color	Black	White/Bisque/Black
Designer-style handle	●	●
Weights & Dimensions		
	Cavity	18x8-3/16x11-1/2
WxHxD (in inches)	Exterior†	26-3/4x18-5/8x16-3/8
Approx. shipping weight (lbs.)		84
Power/Ratings		
2450 Frequency (MHz)		●
Electrical input	Watts	1450
@ 120V	Amperage	13.0
Accessories		
Deluxe cookbook	●	●
Wire oven rack	●	●
Broil pan	●	●
30" trim kit (included)	●	●
Warranty		
Full one-year in-home warranty**	●	●
Limited nine-year magnetron warranty** (10 years total)	●	●

*SS = Stainless steel, WW = White on white, CC = Bisque on bisque, BB = Black on black.

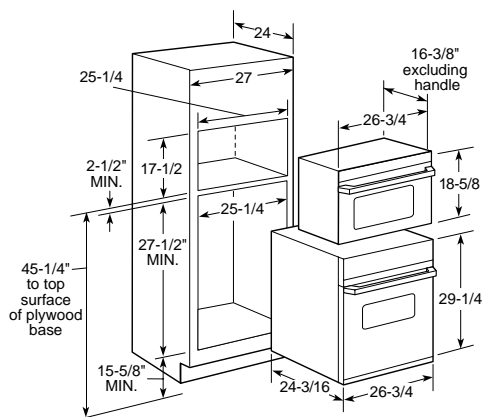
**See written warranty for details.

†Exterior dimensions: depth excludes handle.

Cutout and Dimensional Information (in inches)



27" single oven installation



This information is not intended to be used for installing unit described. Before installing, consult installation instructions packed with product/kit for current dimensional data.

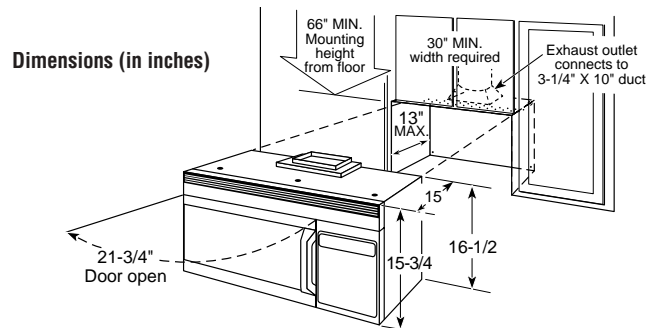


Listed by
Underwriters
Laboratories

GE Spacemaker Microwave Ovens

GE®							
	JVM2050WH JVM2050CH JVM2050BH	JVM1850SH JVM1851SH* JVM1850WH JVM1851WH* JVM1850CH JVM1851CH* JVM1850BH JVM1851BH*	JVM1650SH JVM1650WH JVM1650CH JVM1650BH	JVM1640WH JVM1640AH JVM1640BH	JVM1630WH JVM1631WH* JVM1630CH JVM1631CH* JVM1630BH JVM1631BH*	JVM1440SH JVM1441SH* JVM1440WH JVM1441WH* JVM1440BH JVM1441BH*	JVM1430WD JVM1430BD
Capacity							
Oven cavity (cu. ft.)	2.0	1.8	1.6	1.6	1.6	1.4	1.4
Features							
Watts (IEC-705 Test Procedure)	1100	1100	1000	1000	1000	950	950
Electronic touch controls	●	●	●	●	●	●	●
SmartControl system w/interactive display	●	●	●	●	●	●	●
Scrolling display	2-Line	2-Line	1-Line	1-Line	1-Line	1-Line	
Clock and AM/PM pad	●	●	●	●	●	●	●
Variable scroll speed	●	●	●	●	●	●	●
Help pad	●	●	●	●	●	●	●
Concurrent programming	●	●	●	●	●	●	●
Bilingual display (English/Spanish)							
Sensor controls							
Beverage	●	●	●	●	●	●	●
Popcorn	●	●	●	●	●	●	●
Potatoes	●	●	●	●	●	●	●
Reheat	●	●	●	●	●	●	●
Vegetables	●	●	●	●	●	●	●
Convenience controls							
Beverage	●	●	●	●	●	●	●
Cook	●	●	●	●	●	●	●
Popcorn	●	●	●	●	●	●	●
Reheat	●	●	●	●	●	●	●
Snacks	●	●	●	●	●	●	●
Express Cook (1-6 min.)	●	●	●	●	●	●	●
Instant On controls	●	●	●	●	●	●	●
Time cook	●	I & II	I & II	I & II	I & II	I & II	I & II
Add 30 seconds	●	●	●	●	●	●	●
Auto/Time Defrost	●/●	●/●	●/●	●/●	●/●	●/●	●/●
1 lb. Quick Defrost	●	●	●	●	●	●	●
Power levels	10	10	10	10	10	10	10
Delay Start/Reminder	●	●	●	●	●	●/—	●
Cooking system	Dual-distribution	CircuWave™ 1100	CircuWave	CircuWave	CircuWave	CircuWave	CircuWave
Turntable	Recessed	Recessed					
Turntable On/Off	●	●	●	●	●	●	●
Interior lighting	Halogen	●	●	●	●	●	●
Full-view cooktop lighting	Halogen	●	●	●	●	●	●
Night light	●	●	●	●	●	●	●
Programmable night light	●	●	●	●	●	●	●
Timer On/Off	●	●	●	●	●	●	●
Cooking complete reminder	●	●	●	●	●	●	●
Child lockout	●	●	●	●	●	●	●
300-CFM exhaust fan	3-Speed plus Boost	3-Speed plus Boost	2-Speed	2-Speed	●	2-Speed	2-Speed
Appearance							
Color appearance**	WW/CC/BB	SS/WW/CC/BB	SS/WW/CC/BB	WW/AA/BB	WW/CC/BB	SS/WW/BB	WW/BB
Case color	White/Bisque/Black	Black/White/Bisque/Black	Black/White/Bisque/Black	White/Almond/Black	White/Bisque/Black	Black/White/Black	White/Black
Big view window	●	●	●	●	●	●	●
Weights & Dimensions							
Cavity	21-9/16 x 10-9/16 x 14-13/16	21-29/32 x 9-1/2 x 14-19/32	20-1/4 x 9-9/32 x 14-13/32		19-5/16 x 9-5/16 x 13-3/16		
WxHxD (in inches) Exterior †	29-7/8 x 16-11/32 x 15-7/16	29-7/8 x 16-13/32 (rear) x 15		16-1/2 (rear) x 14-15/16		29-7/8 x 15-7/8 x 14-15/16	
Approx. shipping weight (lbs.)	72	68	67	67	67	67	67
Power/Ratings							
2450 Frequency (MHz)	●	●	●	●	●	●	●
Electrical input							
Watts	1480	1480	1480	1480	1480	1480	1480
@ 120V Amperage	15	15	15	15	15	15	15
Accessories							
Cooking guide label		●	●	●	●	●	●
Oven rack(s)	1 (2-positions)	1 (2-positions)	1 (2-positions)	1	●	1	●
Warranty							
Full one-year in-home warranty††	●	●	●	●	●	●	●
Limited nine-year magnetron warranty†† (10 years total)	●	●	●	●	●	●	●

* Non-vented model.
 ** SS = Stainless steel, WW = White on white, CC = Bisque on bisque, AA = Almond on almond, BB = Black on black.
 † Exterior dimensions: depth excludes handle.
 †† See warranty for details.



NOTE: Convenience popcorn pad designed for use with 3 package sizes—3.5, 3.0 and 1.75 oz.

This information is not intended to be used for installing unit described. Before installing, consult installation instructions packed with product/kit for current dimensional data.

Answers that click!
GE puts everything you need at your fingertips.



**GE Appliances web site — 16 million visitors a year!
Visit us at GEAppliances.com**

Everything you need to know about GE products is here. Access up-to-date information, find out "what's new," obtain dimensions, get installation tips and more. Extremely user-friendly, this one-stop site lets you research by brand, category or model number and even buy online through a local GE dealer.

**GE Answer Center® saves you time.
800.626.2000**

This 24-hour-a-day, 7-day-a-week service provides answers on product features, installation, service and more.



A Century of Quality and Innovation

For more than a century, GE has been committed to producing innovative products that change the way people live. The result of thorough research and rigorous testing, GE appliances are designed for years of dependable performance. Today, the GE tradition of quality and innovation continues.



GE Appliances

GE Consumer Products
General Electric Company
Louisville, Kentucky 40225
GEAppliances.com

GE has a policy of continuous improvement of its products and reserves the right to change materials and specifications without notice.

© 2003 General Electric Company
Pub. No. 24-C533 PC36168