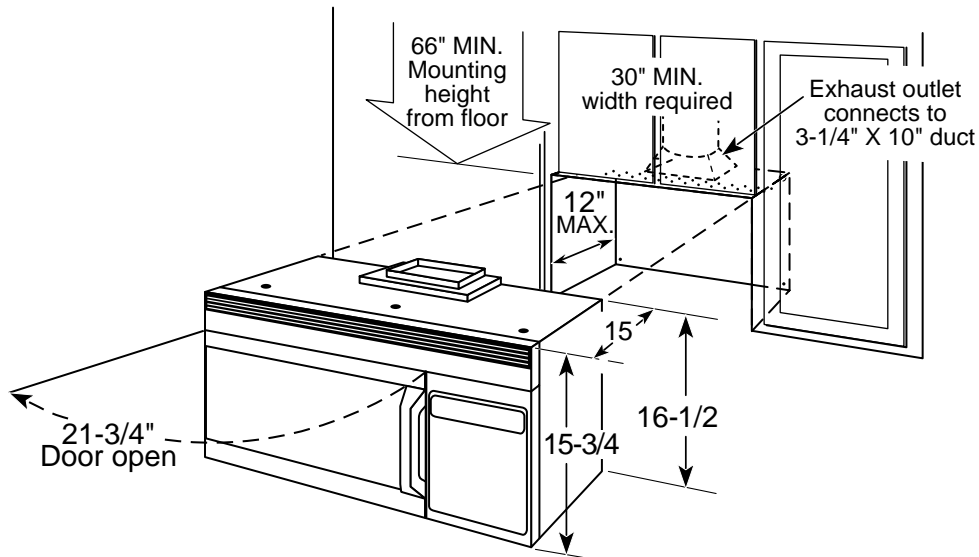




GE Appliances

## JVM1450BA—GE SpacemakerXL 1.4 Cu. Ft. Microwave Oven

Dimensions (in inches)



**Note:** Requires 120V grounded outlet. Electrical receptacle must be located in cabinet above SpacemakerXL microwave oven. No additional wiring, venting or cabinet rebuilding necessary in many cases. Complete detailed, easy-to-follow installation instructions and convenient full-size templates are packed with the SpacemakerXL microwave oven.

**Important Information:** When installing the SpacemakerXL microwave oven over a range, allow minimum of 2" from bottom of SpacemakerXL microwave oven to top of range backguard to allow for removal of light covers.

**Ventilation Options:** The SpacemakerXL microwave ovens are designed for adaptation to the following three types of ventilation:

- Outside exhaust (vertical—as shown)
- Outside exhaust (horizontal)
- Recirculating (non-vented ductless—see Filter Kit drawing)

**Installation Information:** This information is not intended to be used for installing unit described. Before installing, consult installation instructions packed with product/kit for current dimensional data.

Revised 2/99

For answers to your Monogram,<sup>®</sup>  
GE Profile Performance Series,<sup>™</sup>  
GE Profile<sup>™</sup> or GE appliance questions, call  
GE Answer Center<sup>®</sup> service, 800.626.2000.





GE Appliances

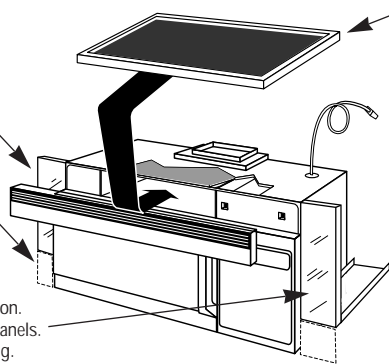
## JVM1450BA—GE SpacemakerXL 1.4 Cu. Ft. Microwave Oven

### Optional Accessories (Available at additional cost)

12" Filler Panel Kits  
JX40AL—Almond  
JX41—Black  
JX40WH—White

15" Filler Panel Kits  
JX46BL—Black  
JX46AL—Almond  
JX46WH—White

When replacing a 36" or 42" range hood, this kit fills in the additional width to provide a custom built-in appearance. For installation between cabinets only; not for end-of-cabinet installation. Each kit contains two 3"-wide filler panels. Two kits are needed for a 42" opening.



Filter Kits  
JX81A—Recirculating  
Charcoal Filter Kit

To be used when the Spacemaker microwave oven cannot be vented to the outside.

JX81—Recirculating  
Charcoal Filter Kit  
To be used when the SpacemakerPlus™ microwave/convection oven cannot be vented to the outside.

### HOOD EXHAUST DUCT

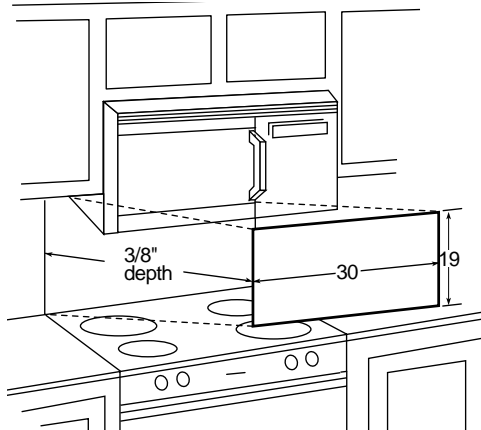
Outside ventilation requires a HOOD EXHAUST DUCT. Read the following carefully.

**EXHAUST CONNECTION:** The hood exhaust has been designed to mate with a standard 3-1/4" x 10" rectangular duct. If a round duct is required, a rectangular-to-round transition adaptor must be used. Do not use less than a 6" diameter duct

**REAR EXHAUST:** If a rear or horizontal exhaust is to be used, care should be taken to align exhaust with space between studs, or wall should be prepared at the time it is constructed by leaving enough space between the wall studs to accommodate exhaust.

**MAXIMUM DUCT LENGTH:** For satisfactory air movement, the total duct length of 3-1/4" x 10" rectangular or 6" diameter round duct should not exceed 140 equivalent feet.

**ELBOWS, TRANSITIONS, WALL AND ROOF CAPS,** etc., present additional resistance to airflow and are equivalent to a section of straight duct which is longer than their actual physical size. When calculating the total duct length, add the equivalent length of all transitions and adaptors plus the lengths of all straight duct sections. The chart below shows the approximate feet of equivalent length of some typical ducts.



### JX22SS—Stainless Steel Decorative Panel Kit

When replacing a Hi/Low range with a SpacemakerPlus™ microwave/convection oven or Spacemaker XL1400 over a range model, this panel kit fills in the area between the microwave and range left by the Hi/Low model.

Revised 2/99

Duct	Equivalent Feet
A. Rectangular-To-round Transition Adaptor	5ft.
B. Wall Cap	40ft.
C. 90° Elbow	10ft.
D. 45° Elbow	5ft.
E. 90° Elbow	25ft.
F. 45° Elbow	5ft.
G. Roof Cap	24ft.

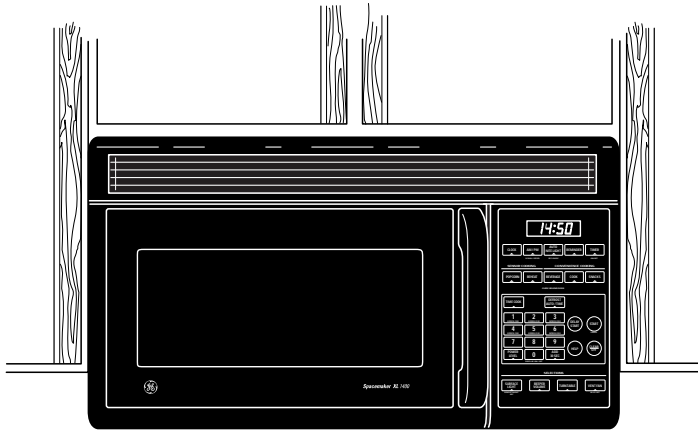
For answers to your Monogram®, GE Profile Performance Series™, GE Profile™ or GE appliance questions, call GE Answer Center® service, 800.626.2000.





GE Appliances

## JVM1450BA—GE SpacemakerXL 1.4 Cu. Ft. Microwave Oven



### Features and Benefits

- SpacemakerXL 1.4 cu. ft. Oven Capacity
- 950 Watts©
- SmartControl System with Interactive Display
- Sensor Cooking Controls for Popcorn and Reheat
- Convenience Cooking Controls for Beverage, Snack and Cook Pads
- Time Cook I & II
- Express Cook with Instant On Controls
- Auto Defrost / Time Defrost
- Add 30 Seconds
- Help Pad
- Child Lock Out
- CircuWave™ Plus Cooking System
- 10 Power Levels
- Removable Glass Turntable with Turntable On/Off
- Dual Rack
- Full-View Cooktop Lighting w/ Programmable Night Light
- Variable Beeper Volume Control
- Two-Speed, High Capacity Exhaust Fan
- Model JVM1450WA—White on White
- Model JVM1450BA—Black on Black
- Model JVM1450AA—Almond onAlmond

\*IEC-705 Test Procedure