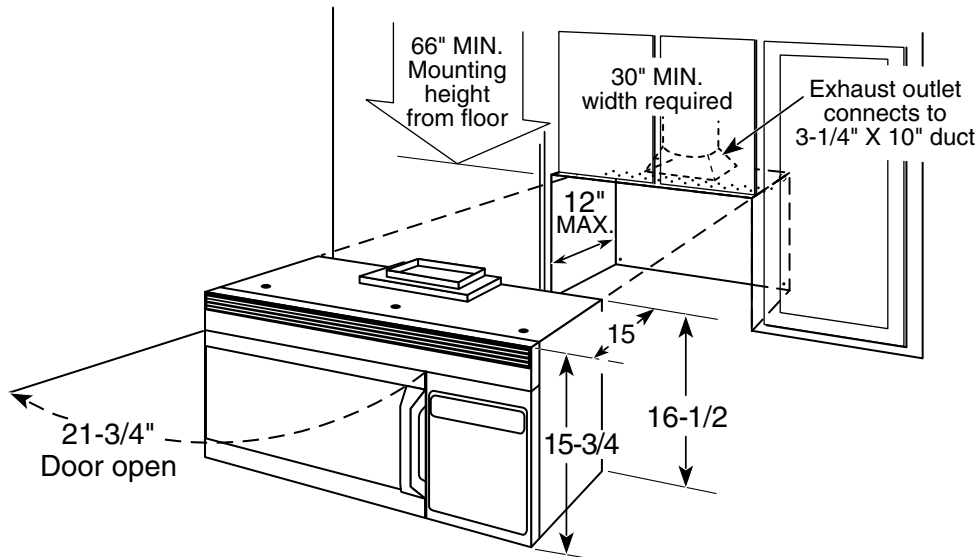




GE Appliances

JVM1650WB - GE 1.6 Cu. Ft. Spacemaker XL1600 Over-the-Range Microwave Oven

Dimensions (in inches)



Note: Requires 120V grounded outlet. Electrical receptacle must be located in cabinet above Spacemaker microwave oven. No additional wiring, venting or cabinet rebuilding necessary in many cases. Complete detailed, easy-to-follow installation instructions and convenient full-size templates are packed with the Spacemaker microwave oven.

Important Information: When installing the Spacemaker microwave oven over a range, allow minimum of 2" from bottom of Spacemaker microwave oven to top of range backguard to allow for removal of light covers.

Ventilation Options: The Spacemaker microwave ovens are designed for adaptation to the following three types of ventilation:

- Outside exhaust (vertical—as shown)
- Outside exhaust (horizontal)
- Recirculating (non-vented ductless—see Filter Kit drawing)

Installation Information: This information is not intended to be used for installing unit described. Before installing, consult installation instructions packed with product/kit for current dimensional data.



GE Appliances

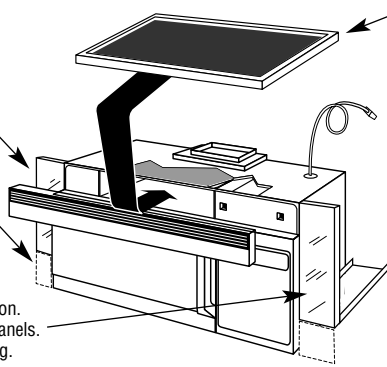
JVM1650WB - GE 1.6 Cu. Ft. Spacemaker XL1600 Over-the-Range Microwave Oven

Optional Accessories (Available at additional cost)

12" Filler Panel Kits
JX40AL—Almond
JX41—Black
JX40WH—White

15" Filler Panel Kits
JX46BL—Black
JX46AL—Almond
JX46WH—White

When replacing a 36" or 42" range hood, this kit fills in the additional width to provide a custom built-in appearance. For installation between cabinets only; not for end-of-cabinet installation. Each kit contains two 3"-wide filler panels. Two kits are needed for a 42" opening.



Filter Kits
JX81A—Recirculating Charcoal Filter Kit
To be used when the Spacemaker microwave oven cannot be vented to the outside.

HOOD EXHAUST DUCT

Outside ventilation requires a HOOD EXHAUST DUCT. Read the following carefully.

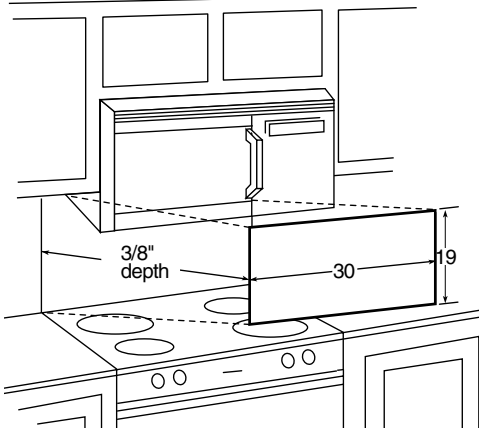
EXHAUST CONNECTION: The hood exhaust has been designed to mate with a standard 3-1/4" x 10" rectangular duct. If a round duct is required, a rectangular-to-round transition adaptor must be used. Do not use less than a 6" diameter duct

REAR EXHAUST: If a rear or horizontal exhaust is to be used, care should be taken to align exhaust with space between studs, or wall should be prepared at the time it is constructed by leaving enough space between the wall studs to accommodate exhaust.

MAXIMUM DUCT LENGTH: For satisfactory air movement, the total duct length of 3-1/4" x 10" rectangular or 6" diameter round duct should not exceed 140 equivalent feet.

ELBOWS, TRANSITIONS, WALL AND ROOF CAPS, etc., present additional resistance to airflow and are equivalent to a section of straight duct which is longer than their actual physical size. When calculating the total duct length, add the equivalent length of all transitions and adaptors plus the lengths of all straight duct sections. The chart below shows the approximate feet of equivalent length of some typical ducts.

Duct	Equivalent Feet
A. Rectangular-To-round Transition Adaptor	5ft.
B. Wall Cap	40ft.
C. 90° Elbow	10ft.
D. 45° Elbow	5ft.
E. 90° Elbow	25ft.
F. 45° Elbow	5ft.
G. Roof Cap	24ft.



JX22SS—Stainless Steel Decorative Panel Kit

When replacing a Hi/Low range with a microwave/convection oven or Spacemaker over a range model, this panel kit fills in the area between the microwave and range left by the Hi/Low model.

Specification Revised 2/00

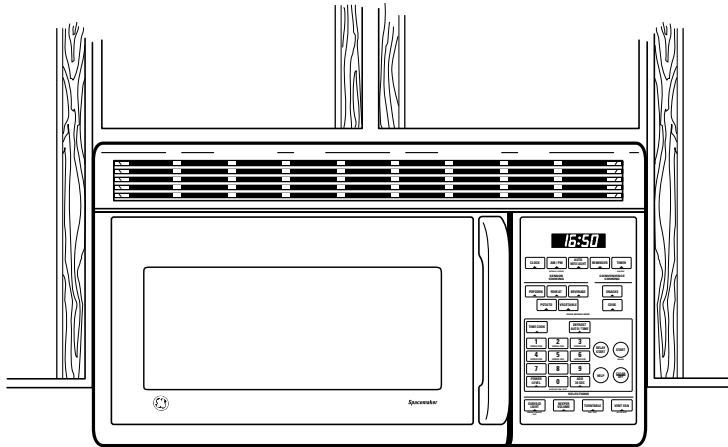
For answers to your Monogram®, GE Profile Performance Series™, GE Profile™ or GE appliance questions, call GE Answer Center® service, 800.626.2000.





GE Appliances

JVM1650WB - GE 1.6 Cu. Ft. Spacemaker XL1600 Over-the-Range Microwave Oven



Features and Benefits

- 1.6 cu. ft. Capacity
- 1000 Watts[®]
- SmartControl System with Interactive Display
- Electronic Scrolling Digital Display
- Clock and AM/PM Pad
- Convenience Cooking Control Pads for Beverage, Cook, Popcorn and Reheat
- Express Cook (1-6 mins.) with Instant-On Controls
- Time Cook I & II
- Add 30 Seconds
- Auto Defrost / Time Defrost
- 10 Power Levels
- Delay Start with Reminder
- Beeper Sound Level Control
- Turntable On/Off
- Full-View Cooktop Lighting with Night Light
- Timer On/Off
- Child Lock-Out
- Two-Speed, High-Capacity Exhaust Fan
- Designer-Style Handle
- Big View Window
- Model JVM1650WB - White on white
- Model JVM1650BB - Black on black
- Model JVM1650AB - Almond on almond
- Model JVM1650CB - Bisque

*IEC-705 Test Procedure