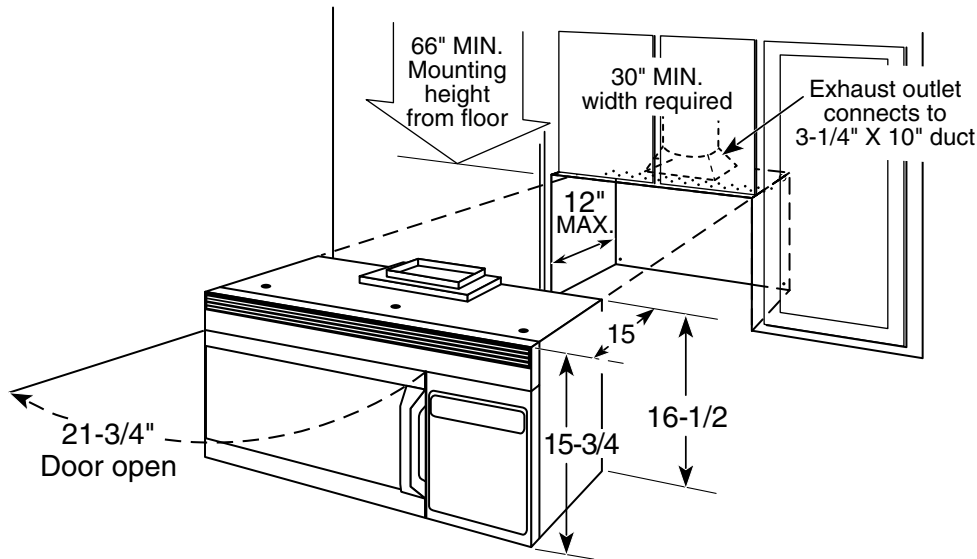




GE Appliances

JVM1840BD/CD/WD - GE 1.8 Cu. Ft. Spacemaker Over-the-Range Microwave Oven

Dimensions (in inches)



Note: Requires 120V grounded outlet. Electrical receptacle must be located in cabinet above Spacemaker microwave oven. No additional wiring, venting or cabinet rebuilding necessary in many cases. Complete detailed, easy-to-follow installation instructions and convenient full-size templates are packed with the Spacemaker microwave oven.

Important Information: When installing the Spacemaker microwave oven over a range, allow minimum of 2" from bottom of Spacemaker microwave oven to top of range backguard to allow for removal of light covers.

Ventilation Options: The Spacemaker microwave ovens are designed for adaptation to the following three types of ventilation:

- Outside exhaust (vertical—as shown)
- Outside exhaust (horizontal)
- Recirculating (non-vented ductless—see Filter Kit drawing)

Installation Information: This information is not intended to be used for installing unit described. Before installing, consult installation instructions packed with product/kit for current dimensional data.



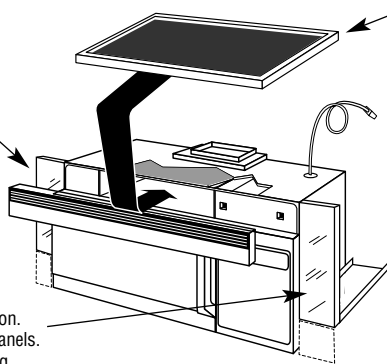
GE Appliances

JVM1840BD/CD/WD - GE 1.8 Cu. Ft. Spacemaker Over-the-Range Microwave Oven

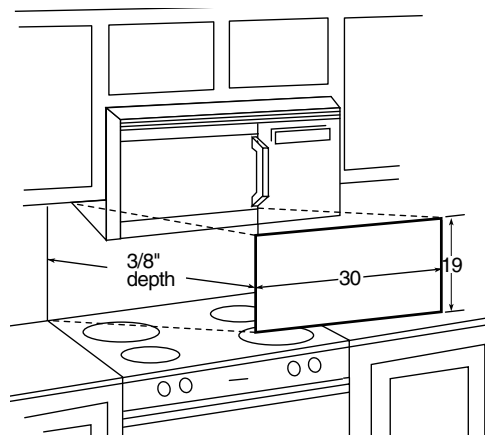
Optional Accessories (Available at additional cost)

Filler Panel Kits
JX52CT—Bisque
JX52BL—Black
JX52WH—White

When replacing a 36" or 42" range hood, this kit fills in the additional width to provide a custom built-in appearance. For installation between cabinets only; not for end-of-cabinet installation. Each kit contains two 3"-wide filler panels. Two kits are needed for a 42" opening.



Filter Kits
JX81B—Recirculating Charcoal Filter Kit
To be used when the Spacemaker microwave oven cannot be vented to the outside.



JX22SS—Stainless Steel Decorative Panel Kit

When replacing a Hi/Low range with a microwave/convection oven or Spacemaker over a range model, this panel kit fills in the area between the microwave and range left by the Hi/Low model.

Specification Created 2/01

HOOD EXHAUST DUCT

Outside ventilation requires a HOOD EXHAUST DUCT. Read the following carefully.

EXHAUST CONNECTION: The hood exhaust has been designed to mate with a standard 3-1/4" x 10" rectangular duct. If a round duct is required, a rectangular-to-round transition adaptor must be used. Do not use less than a 6" diameter duct

REAR EXHAUST: If a rear or horizontal exhaust is to be used, care should be taken to align exhaust with space between studs, or wall should be prepared at the time it is constructed by leaving enough space between the wall studs to accommodate exhaust.

MAXIMUM DUCT LENGTH: For satisfactory air movement, the total duct length of 3-1/4" x 10" rectangular or 6" diameter round duct should not exceed 140 equivalent feet.

ELBOWS, TRANSITIONS, WALL AND ROOF CAPS, etc., present additional resistance to airflow and are equivalent to a section of straight duct which is longer than their actual physical size. When calculating the total duct length, add the equivalent length of all transitions and adaptors plus the lengths of all straight duct sections. The chart below shows the approximate feet of equivalent length of some typical ducts.

Duct	Equivalent Feet
A. Rectangular-To-round Transition Adaptor	5ft.
B. Wall Cap	40ft.
C. 90° Elbow	10ft.
D. 45° Elbow	5ft.
E. 90° Elbow	25ft.
F. 45° Elbow	5ft.
G. Roof Cap	24ft.

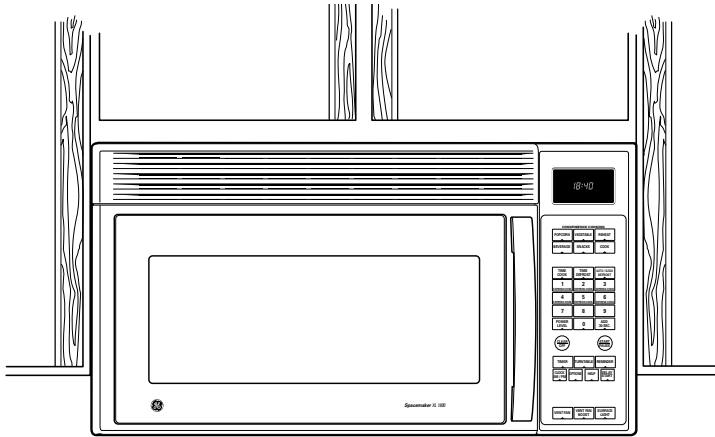
For answers to your Monogram®, GE Profile™ or GE appliance questions, visit our website at WWW.GEAppliance.com or call GE Answer Center® service, 800.626.2000.





GE Appliances

JVM1840BD/CD/WD - GE 1.8 Cu. Ft. Spacemaker Over-the-Range Microwave Oven



Features and Benefits

- 1.8 cu. ft. Capacity
- 1000 Watts[®]
- SmartControl System with Interactive Display
- Sensor Cooking Controls for Popcorn, Reheat Beverage, Vegetables and Potatoes
- Convenience Cooking Controls for Beverage, Cook, Popcorn, Snack, Vegetable and Reheat
- Express Cook (1-6 mins.) with Instant-On Controls
- Time Cook I & II
- Auto Defrost / Time Defrost / Quick Defrost
- CircuWave™ 1000 with 10 Power Levels
- Delay Start with Reminder
- Turntable On/Off
- Full-View Cooktop Lighting with Night Light
- Two-Speed, High-Capacity Exhaust Fan (Hi/Med/Boost)
- Easy Mount Installation
- Big View Window and Designer-Style Handle
- Model JVM1840WD - White on white
- Model JVM1840BD - Black on black
- Model JVM1840CD - Bisque

*IEC-705 Test Procedure