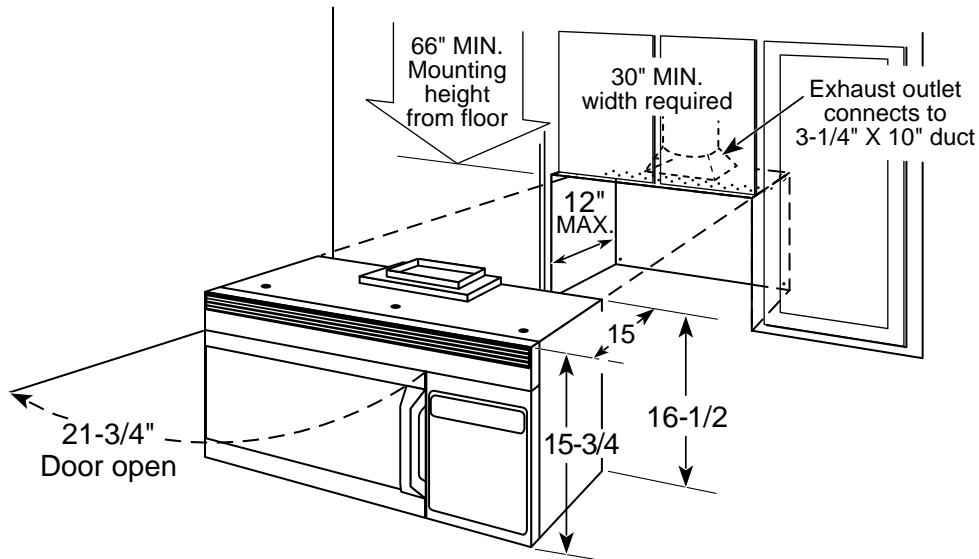




GE Appliances

JVM1851BF/CF/WF - GE Spacemaker® 1.8 Cu. Ft. Over-the-Range Microwave Oven

Dimensions (in inches)



Note: Requires 120V grounded outlet. Electrical receptacle must be located in cabinet above Spacemaker microwave oven. No additional wiring, venting or cabinet rebuilding necessary in many cases. Complete detailed, easy-to-follow installation instructions and convenient full-size templates are packed with the Spacemaker microwave oven.

Important Information: When installing the Spacemaker microwave oven over a range, allow minimum of 2" from bottom of Spacemaker microwave oven to top of range backguard to allow for removal of light covers.

Installation Information: This information is not intended to be used for installing unit described. Before installing, consult installation instructions packed with product/kit for current dimensional data.

Specification Created 12/01

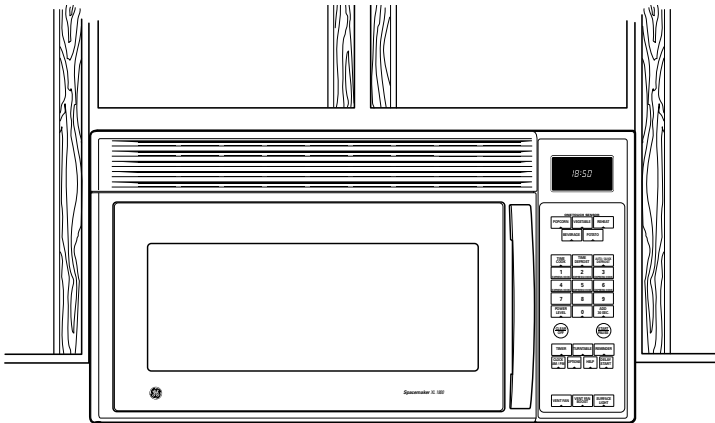
For answers to your Monogram®, GE Profile™ or GE appliance questions, visit our website at GEAppliances.com or call GE Answer Center® service, 800.626.2000.





GE Appliances

JVM1851BF/CF/WF - GE Spacemaker® 1.8 Cu. Ft. Over-the-Range Microwave Oven



Features and Benefits

- 1.8 cu. ft. Cavity/Powerful 1100 Watts[®]
- Custom Pads and One Touch Sensor Cooking Controls for Beverage, Popcorn, Potatoes, Reheat and Vegetables
- Recessed Turntable (On/Off) and Cooking Rack
- SmartControl System with Interactive Two-Line, Bilingual Electronic Scrolling Digital Display
- Electronic Touch Controls
- Three Speed, High-Capacity Exhaust Fan with Boost Vortex Venting (300 CFM)/Full View Cooktop Lighting and Halogen Cavity Light
- Auto Defrost/Time Defrost/Quick Defrost
- Clock and AM/PM Pad
- Display On/Off
- Express Cook (1-6 mins.) with Instant-On Controls
- Cooking Complete Reminder with Beeper Volume Control
- CircuWave™ 1100 with 10 Power Levels
- Easy Mount Installation
- Big View Window and Designer-Style Handle
- Non-Vented Model
- Model JVM1851WF - White on white
- Model JVM1851BF - Black on black
- Model JVM1851CF - Bisque on Bisque

*IEC-705 Test Procedure