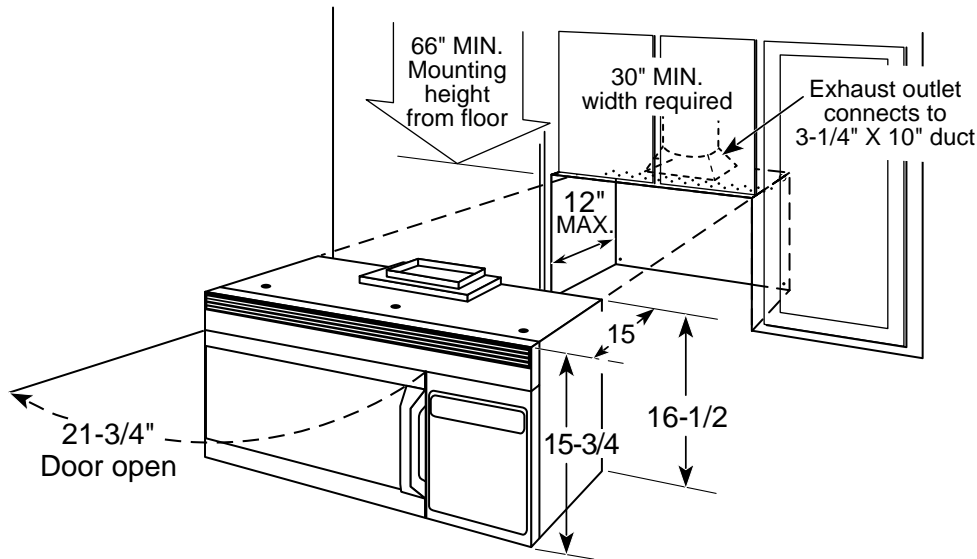




## JVM1860BF/CF/SF/WF - GE Profile™ 1.8 Cu. Ft. Spacemaker® 1.8 Cu. Ft. Over-the-Range Microwave Oven

### Dimensions (in inches)



**Note:** Requires 120V grounded outlet. Electrical receptacle must be located in cabinet above Spacemaker microwave oven. No additional wiring, venting or cabinet rebuilding necessary in many cases. Complete detailed, easy-to-follow installation instructions and convenient full-size templates are packed with the Spacemaker microwave oven.

**Important Information:** When installing the Spacemaker microwave oven over a range, allow minimum of 2" from bottom of Spacemaker microwave oven to top of range backguard to allow for removal of light covers.

**Installation Information:** This information is not intended to be used for installing unit described. Before installing, consult installation instructions packed with product/kit for current dimensional data.

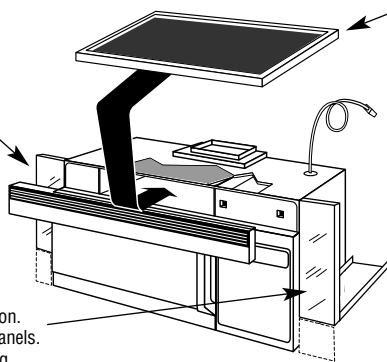


# JVM1860BF/CF/SF/WF - GE Profile™ 1.8 Cu. Ft. Spacemaker® 1.8 Cu. Ft. Over-the-Range Microwave Oven

## Optional Accessories (Available at additional cost)

**Filler Panel Kits**  
**JX52CT—Bisque**  
**JX52BL—Black**  
**JX52WH—White**

When replacing a 36" or 42" range hood, this kit fills in the additional width to provide a custom built-in appearance. For installation between cabinets only; not for end-of-cabinet installation. Each kit contains two 3"-wide filler panels. Two kits are needed for a 42" opening.



**Filter Kits**  
**JX81B—Recirculating Charcoal Filter Kit**  
 To be used when the Spacemaker microwave oven cannot be vented to the outside.

## HOOD EXHAUST DUCT

Outside ventilation requires a HOOD EXHAUST DUCT. Read the following carefully.

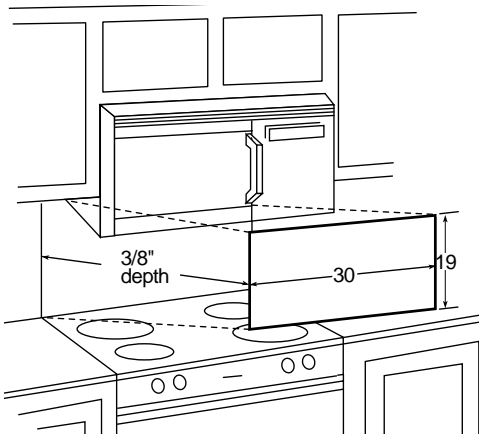
**EXHAUST CONNECTION:** The hood exhaust has been designed to mate with a standard 3-1/4" x 10" rectangular duct. If a round duct is required, a rectangular-to-round transition adaptor must be used. Do not use less than a 6" diameter duct

**REAR EXHAUST:** If a rear or horizontal exhaust is to be used, care should be taken to align exhaust with space between studs, or wall should be prepared at the time it is constructed by leaving enough space between the wall studs to accommodate exhaust.

**MAXIMUM DUCT LENGTH:** For satisfactory air movement, the total duct length of 3-1/4" x 10" rectangular or 6" diameter round duct should not exceed 140 equivalent feet.

**ELBOWS, TRANSITIONS, WALL AND ROOF CAPS,** etc., present additional resistance to airflow and are equivalent to a section of straight duct which is longer than their actual physical size. When calculating the total duct length, add the equivalent length of all transitions and adaptors plus the lengths of all straight duct sections. The chart below shows the approximate feet of equivalent length of some typical ducts.

Duct	Equivalent Feet
<b>A.</b> Rectangular-To-round Transition Adaptor	5ft.
<b>B.</b> Wall Cap	40ft.
<b>C.</b> 90° Elbow	10ft.
<b>D.</b> 45° Elbow	5ft.
<b>E.</b> 90° Elbow	25ft.
<b>F.</b> 45° Elbow	5ft.
<b>G.</b> Roof Cap	24ft.



## JX22SS—Stainless Steel Decorative Panel Kit

When replacing a Hi/Low range with a microwave/convection oven or Spacemaker over a range model, this panel kit fills in the area between the microwave and range left by the Hi/Low model.

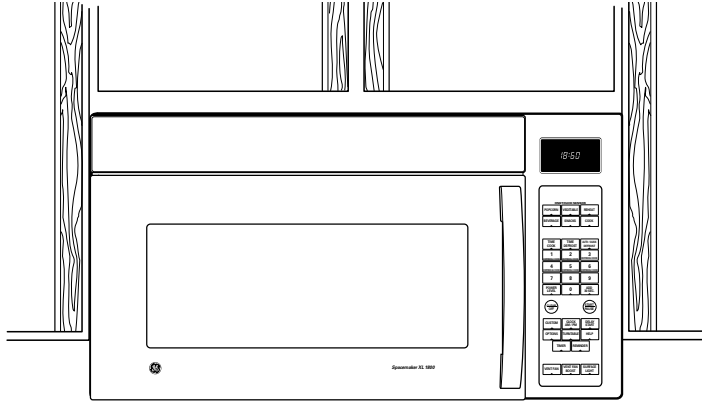
**Specification Created 12/01**

For answers to your Monogram®, GE Profile™ or GE appliance questions, visit our website at [GEAppliances.com](http://GEAppliances.com) or call GE Answer Center® service, 800.626.2000.





## JVM1860BF/CF/SF/WF - GE Profile™ 1.8 Cu. Ft. Spacemaker® 1.8 Cu. Ft. Over-the-Range Microwave Oven



### Features and Benefits

- 1.8 cu. ft. Cavity/Powerful 1100 Watts<sup>©</sup>
- Electronic Touch Controls
- Custom Pad and One Touch Sensor Cooking Controls for Chicken, Fish, Meats, Beverage, Popcorn, Potatoes, Reheat and Vegetables
- Recessed Turntable (On/Off) and Two Cooking Racks
- SmartControl System with Interactive Two Line, Bilingual Electric Scrolling Digital Display
- Three-Speed, High-Capacity Exhaust Fan with Boost Vortex (300 CFM)/Halogen Cooktop Lighting and Halogen Cavity Light
- Auto Defrost/Time Defrost/Quick Defrost
- Delay Start with Reminder
- Clock and AM/PM Pad
- Display On/Off
- Express Cook (1-6 mins.) with Instant-On Controls
- CircuWave™ 1100 with 10 Power Levels
- Cooking Complete Reminder with Beeper Volume Control
- Easy Mount Installation
- Bright View Window and Designer-Style Handle
- Model JVM1860WF - White on white
- Model JVM1860BF - Black on black
- Model JVM1860CF - Bisque on bisque
- Model JVM1860SF - Stainless steel

\*IEC-705 Test Procedure