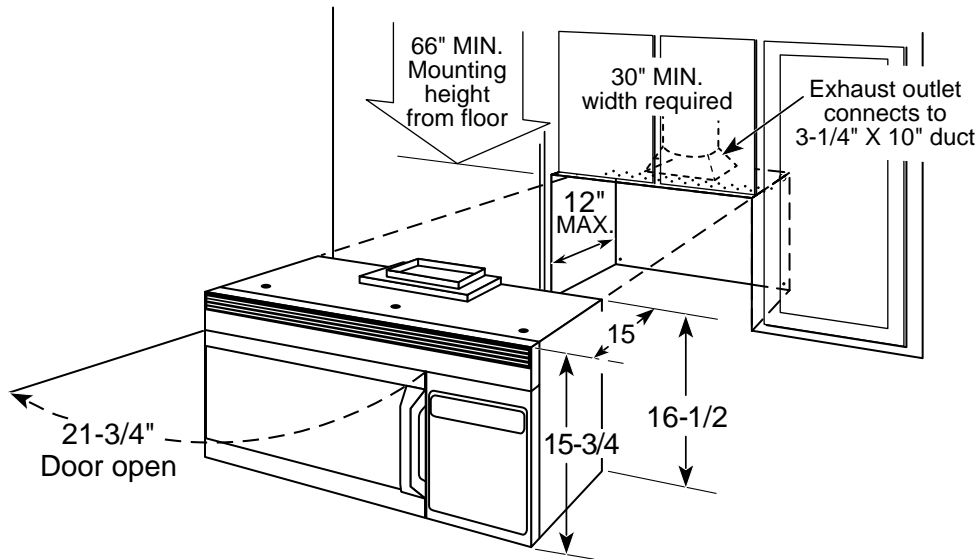




## JVM1861SF - GE Profile™ 1.8 Cu. Ft. Spacemaker® 1.8 Cu. Ft. Over-the-Range Microwave Oven

### Dimensions (in inches)



**Note:** Requires 120V grounded outlet. Electrical receptacle must be located in cabinet above Spacemaker microwave oven. No additional wiring, venting or cabinet rebuilding necessary in many cases. Complete detailed, easy-to-follow installation instructions and convenient full-size templates are packed with the Spacemaker microwave oven.

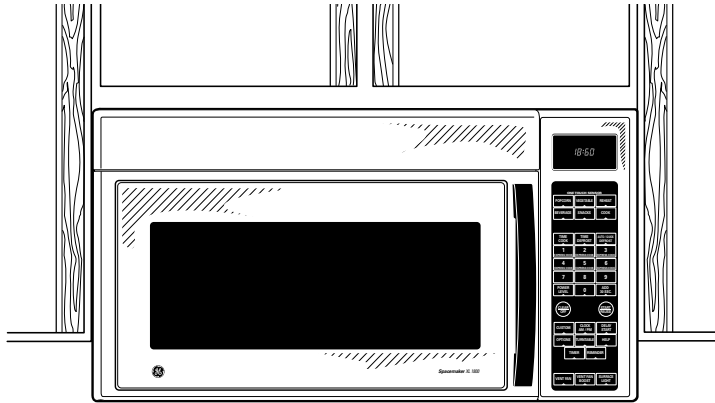
**Important Information:** When installing the Spacemaker microwave oven over a range, allow minimum of 2" from bottom of Spacemaker microwave oven to top of range backguard to allow for removal of light covers.

**Installation Information:** This information is not intended to be used for installing unit described. Before installing, consult installation instructions packed with product/kit for current dimensional data.



*Profile™*

## JVM1861SF - GE Profile™ 1.8 Cu. Ft. Spacemaker® 1.8 Cu. Ft. Over-the-Range Microwave Oven



### Features and Benefits

- 1.8 cu. ft. Cavity/Powerful 1100 Watts<sup>®</sup>
- Electronic Touch Controls
- Custom Pad and One Touch Sensor Cooking Controls for Chicken, Fish, Meats, Beverage, Popcorn, Potatoes, Reheat and Vegetables
- Recessed Turntable (On/Off) and Two Cooking Racks
- SmartControl System with Interactive Two Line, Bilingual Electric Scrolling Digital Display
- Three-Speed, High-Capacity Exhaust Fan with Boost Vortex (300 CFM)/Halogen Cooktop Lighting and Halogen Cavity Light
- Auto Defrost/Time Defrost/Quick Defrost
- Delay Start with Reminder
- Clock and AM/PM Pad
- Display On/Off
- Express Cook (1-6 mins.) with Instant-On Controls
- CircuWave™ 1100 with 10 Power Levels
- Cooking Complete Reminder with Beeper Volume Control
- Easy Mount Installation
- Non-Vented Model
- Bright View Window and Designer-Style Handle
- Model JVM1861SF - Stainless steel

\*IEC-705 Test Procedure