

SIDE BY SIDE BUILT-IN REFRIGERATOR OWNER'S MANUAL

GUIDE D'UTILISATION DU RÉFRIGÉRATEUR CÔTE À CÔTE ENCASTRÉ

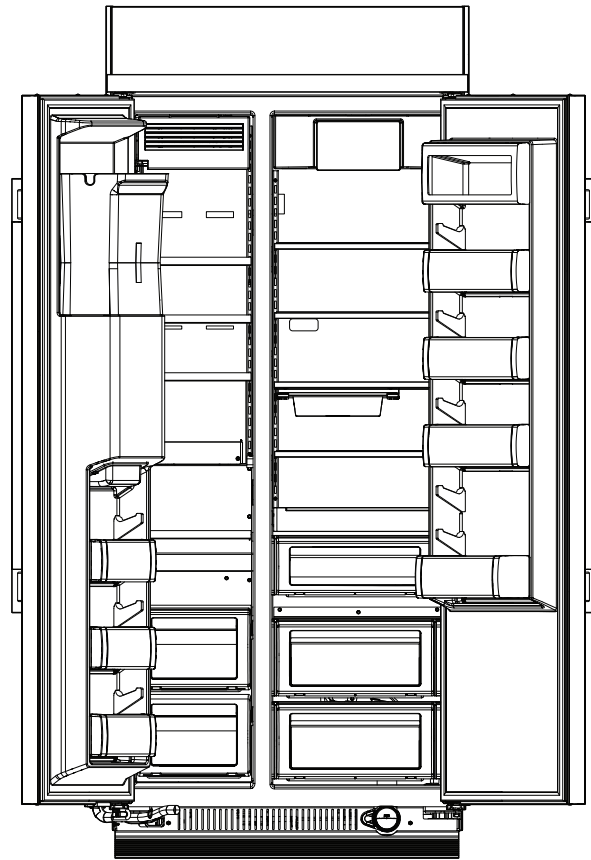
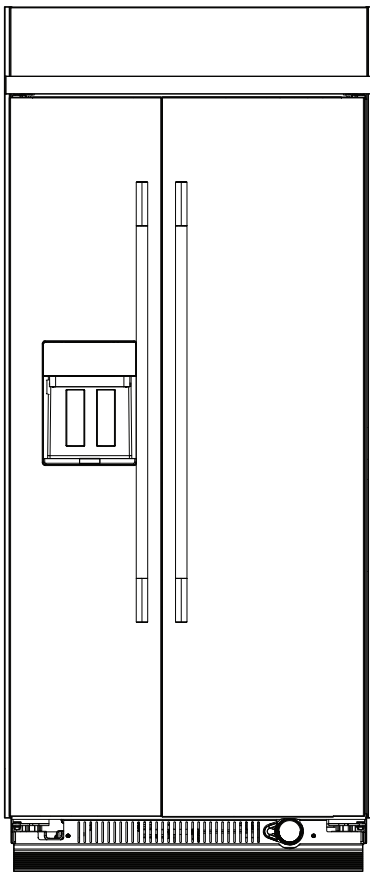


Table of Contents/Table des matières

<p>REFRIGERATOR SAFETY 3</p> <p style="padding-left: 20px;">Refrigerator Safety 3</p> <p style="padding-left: 20px;">Proper Disposal of Your Old Refrigerator 4</p> <p>GETTING STARTED 5</p> <p style="padding-left: 20px;">Models 5</p> <p style="padding-left: 20px;">Know Your Product 6</p> <p style="padding-left: 20px;">Remove the Packaging 6</p> <p style="padding-left: 20px;">Clean Before Using 6</p> <p style="padding-left: 20px;">Power On/Off 7</p> <p style="padding-left: 20px;">Water Supply Requirements 7</p> <p style="padding-left: 20px;">Water System Preparation 8</p> <p style="padding-left: 20px;">Odor Absorber (FreshFlow™ Air Filter) 9</p> <p>REFRIGERATOR USE 9</p> <p style="padding-left: 20px;">Using the Controls 9</p> <p style="padding-left: 20px;">Water and Ice Dispensers 12</p> <p style="padding-left: 20px;">Ice Maker and Storage Bin 13</p> <p style="padding-left: 20px;">Setting Liters and Ounces 15</p> <p style="padding-left: 20px;">Water Filtration System 16</p> <p style="padding-left: 20px;">Freezer Shelves 17</p> <p>MAINTENANCE AND CARE 18</p> <p style="padding-left: 20px;">Cleaning 18</p> <p style="padding-left: 20px;">Changing the LED Module 19</p> <p style="padding-left: 20px;">Refrigeration Shelves and Door Bins 19</p> <p style="padding-left: 20px;">Sabbath and Vacation Care 21</p> <p>TROUBLESHOOTING 22</p> <p style="padding-left: 20px;">Refrigerator Operation 22</p> <p style="padding-left: 20px;">Temperature and Moisture 23</p> <p style="padding-left: 20px;">Ice and Water 23</p> <p>PERFORMANCE DATA SHEET 25</p>	<p>SÉCURITÉ DU RÉFRIGÉRATEUR 27</p> <p style="padding-left: 20px;">Sécurité du réfrigérateur 27</p> <p style="padding-left: 20px;">Mise au rebut du vieux réfrigérateur 28</p> <p>MISE EN PLACE 29</p> <p style="padding-left: 20px;">Modèles 29</p> <p style="padding-left: 20px;">Connaître votre produit 30</p> <p style="padding-left: 20px;">Retrait des matériaux d'emballage 30</p> <p style="padding-left: 20px;">Nettoyage avant utilisation 30</p> <p style="padding-left: 20px;">Marche/arrêt de l'alimentation 31</p> <p style="padding-left: 20px;">Spécifications de l'alimentation en eau 31</p> <p style="padding-left: 20px;">Préparation du circuit d'eau 32</p> <p style="padding-left: 20px;">Filtre à odeur (filtre à air FreshFlow™) 33</p> <p>UTILISATION DU RÉFRIGÉRATEUR 34</p> <p style="padding-left: 20px;">Utilisation des commandes 34</p> <p style="padding-left: 20px;">Distributeurs d'eau et de glaçons 37</p> <p style="padding-left: 20px;">Machine à glaçons et bac d'entreposage 38</p> <p style="padding-left: 20px;">Réglage en litres ou en onces 40</p> <p style="padding-left: 20px;">Système de filtration de l'eau 41</p> <p style="padding-left: 20px;">Tablettes du congélateur 42</p> <p>ENTRETIEN ET RÉPARATION 43</p> <p style="padding-left: 20px;">Nettoyage 43</p> <p style="padding-left: 20px;">Remplacer le module à DEL 44</p> <p style="padding-left: 20px;">Tablettes du réfrigérateur et balconnets de porte 44</p> <p style="padding-left: 20px;">Mode Sabbath (Sabbat) et Vacation Care (Entretien avant les vacances) 47</p> <p>DÉPANNAGE 48</p> <p style="padding-left: 20px;">Fonctionnement du réfrigérateur 48</p> <p style="padding-left: 20px;">Température et humidité 49</p> <p style="padding-left: 20px;">Glaçons et eau 49</p> <p>FICHÉ DE DONNÉES DE PERFORMANCE 51</p>
---	--

Refrigerator Safety

Your safety and the safety of others are very important.

We have provided many important safety messages in this manual and on your appliance. Always read and obey all safety messages.



This is the safety alert symbol.

This symbol alerts you to potential hazards that can kill or hurt you and others.

All safety messages will follow the safety alert symbol and either the word "DANGER" or "WARNING." These words mean:

▲ DANGER

You can be killed or seriously injured if you don't immediately follow instructions.

▲ WARNING

You can be killed or seriously injured if you don't follow instructions.

All safety messages will tell you what the potential hazard is, tell you how to reduce the chance of injury, and tell you what can happen if the instructions are not followed.

IMPORTANT SAFETY INSTRUCTIONS

WARNING: To reduce the risk of fire, electric shock, or injury to persons when using your appliance, follow basic precautions, including the following:

- Children should be supervised to ensure that they do not play with the appliance.
- This appliance is not intended for use by persons (including children) with reduced physical, sensory, or mental capabilities, or lack of experience and knowledge, unless they have been given supervision or instruction concerning use of the appliance by a person responsible for their safety.
- Do not use an extension cord.
- If power supply cord is damaged, it must be replaced by the manufacturer, its service agent, or a similarly qualified person in order to avoid a hazard.
- Connect to potable water supply only.
- This appliance is intended to be used in household and similar applications such as: staff kitchen areas in shops, offices, and other working environments; farm houses and by clients in hotels, motels, and other residential-type environments; bed and breakfast-type environments; and catering and similar non-retail applications.
- Do not store explosive substances such as aerosol cans with a flammable propellant in this appliance.
- Use the new hose-sets supplied with the appliance and that old hose-sets should not be reused.
- Do not use replacement parts that have not been recommended by the manufacturer (e.g., parts made at home using a 3D printer).
- Keep ventilation openings, in the appliance enclosure or in the built-in structure, clear of obstruction.
- Do not use mechanical devices or other means to accelerate the defrosting process, other than those recommended by the manufacturer.
- Do not damage the refrigerant circuit.
- Do not use electrical appliances inside the food storage compartments of the appliance, unless they are of the type recommended by the manufacturer.
- Ice maker kit can be added to some models. See serial tag inside the food compartment of appliance for ice maker kit model information.
- A qualified service technician must install the water line and ice maker. See installation instructions supplied with ice maker kit for complete details.
- Do not locate multiple portable socket-outlets or portable power supplies at the rear of the appliance.
- This appliance can be used at a maximum altitude of 2000 m (6561.7 ft) from the sea level.
- When positioning the appliance, ensure the supply cord is not trapped or damaged.
- Do not locate multiple portable socket-outlets or portable power supplies at the rear of the appliance.
- To avoid a hazard due to instability of the appliance, it must be fixed in accordance with the instructions provided in the installation instructions.

SAVE THESE INSTRUCTIONS

Proper Disposal of Your Old Refrigerator

⚠WARNING



Tip Over Hazard

Refrigerator is top heavy and tips easily when not completely installed.

Keep doors taped closed until refrigerator is completely installed.

Use two or more people to move and install refrigerator.

Failure to do so can result in death or serious injury.

WARNING: Risk of child entrapment. Before you throw away your old refrigerator or freezer:

- Take off the doors.
- Leave the shelves in place so that children may not easily climb inside.

⚠WARNING

Suffocation Hazard

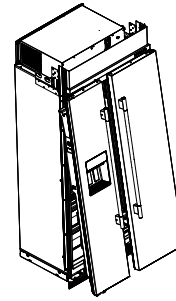
Remove doors or lid from your old appliance.

Failure to do so can result in death or brain damage.

IMPORTANT: Child entrapment and suffocation are not problems of the past. Junked or abandoned refrigerators are still dangerous, even if they will sit for "just a few days." If you are getting rid of your old refrigerator, please follow these instructions to help prevent accidents.

Important information to know about disposal of refrigerants:

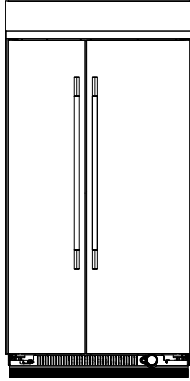
Dispose of refrigerator in accordance with federal and local regulations. Refrigerants must be evacuated by a licensed, EPA-certified refrigerant technician in accordance with established procedures.



GETTING STARTED

Models

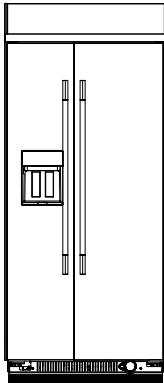
Side by Side Non-Dispensing Refrigerators



Stainless Series

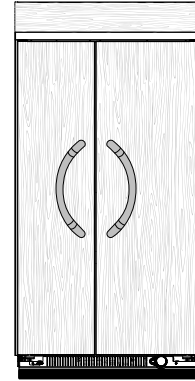
This series provides a commercial-looking built-in refrigerator.
KBSN742SPS; KBSN742SJP; KBSN742SBE; KBSN748SPS;
KBSN748SJP; KBSN748SBE

Side by Side Dispensing Refrigerators



Stainless Series

This series provides a commercial-looking built-in refrigerator.
KBSD736SPS; KBSD742SPS; KBSD748SPS

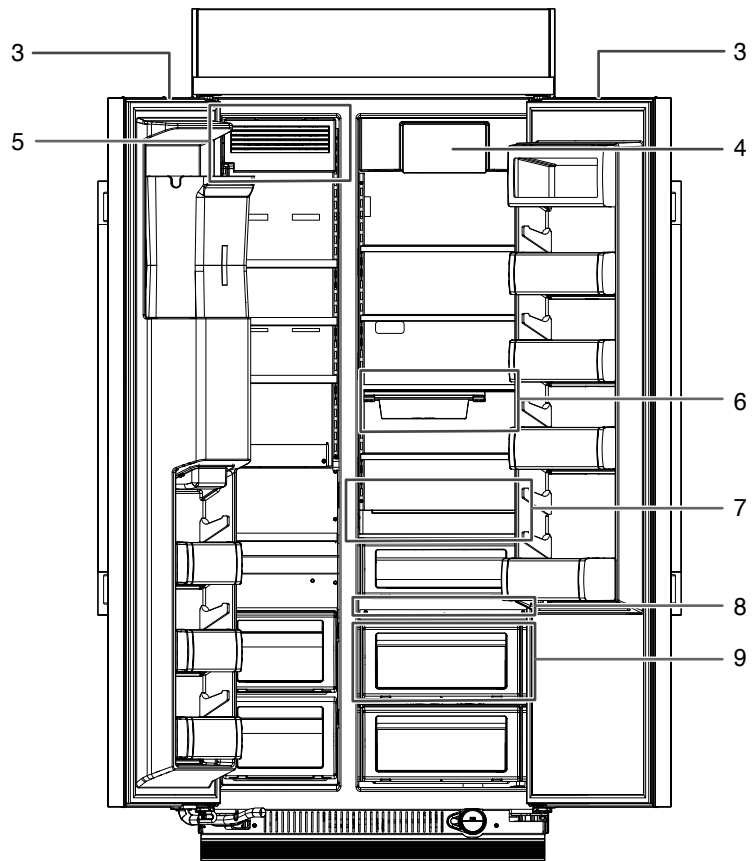
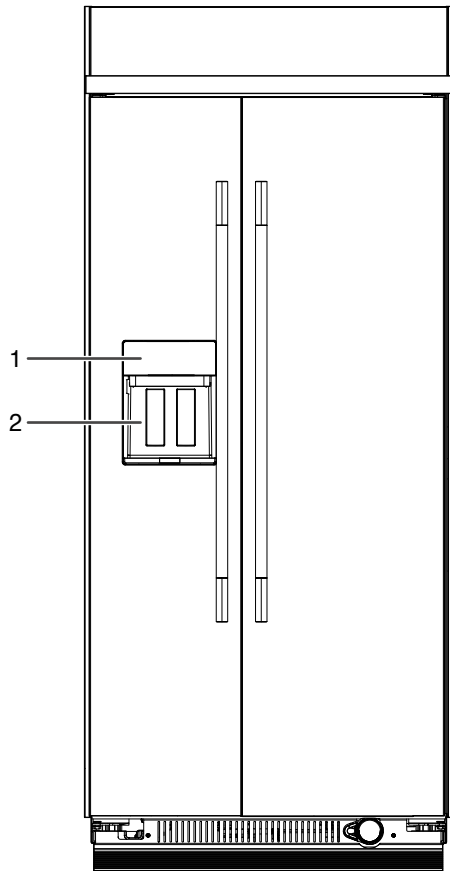


Overlay Series

Features factory-installed, overlay style trim to provide a "frameless" look. This series requires the installation of custom panels, handles, and standoffs.

KBSN742TPA; KBSN748TPA

Know Your Product



1. User Interface (Dispenser Models)
2. Exterior Water and Ice Dispenser with Measured Fill (Only on dispenser models)
3. Soft Close Doors
4. Odor Absorber (FreshFlow™ Air Filter)
5. Automatic Ice Maker (Non-Dispenser Models)
6. Under-Shelf Prep Zone
7. Wood-Look Sliding Storage Tray
8. User Interface (Non-Dispenser Models)
9. FreshChill™ Temperature-Controlled Drawer

Remove the Packaging

- Before you turn on the refrigerator, remove any tape and glue residue. If necessary, use a small amount of liquid dish soap and warm water to remove the residue.
- Do not use sharp tools, rubbing alcohol, flammable liquids, or abrasive cleaners.
- Dispose of or recycle all packaging materials. Refer the “Refrigerator Safety” section for more information.

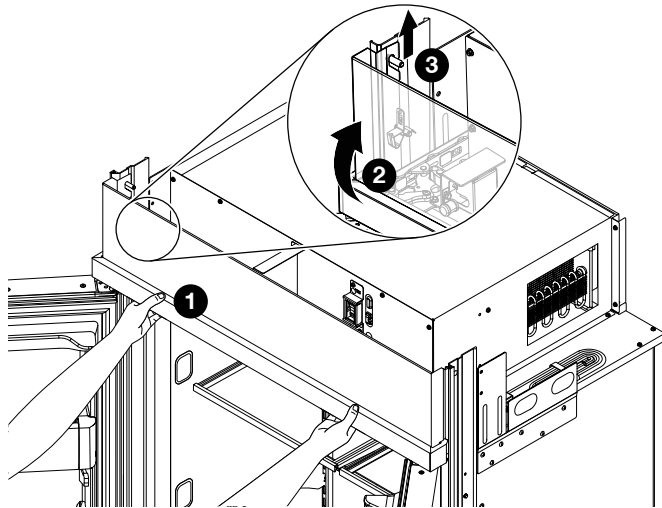
Clean Before Using

Clean the inside of the refrigerator before use. Refer the “Maintenance and Care” section for cleaning instructions.

Power On/Off

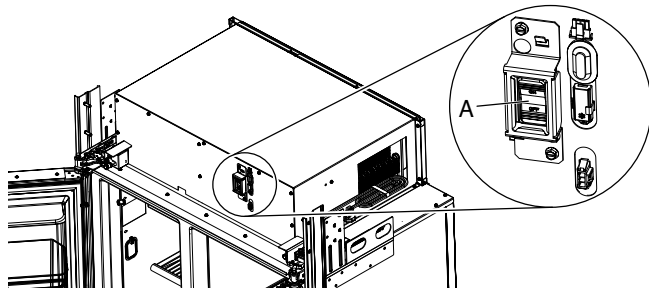
To turn the refrigerator power ON or OFF, you must remove the top grille assembly to access the power switch. Turn the refrigerator power OFF when you clean it.

1. Open the refrigerator door(s).
2. Put your hands under the top grille panel. Hold the bottom edge with your fingers and thumbs.
3. Pull the grille panel straight out until the grille stops. Then, lift up on the grille panel to remove.



4. Press Power switch to the ON or OFF position.

NOTE: While turning off the refrigerator for extended periods of time, remove the food and empty the ice bin.



A. Power switch

To Replace Top Grille:

1. Insert top grille hooks (located on the back of the top grille) onto mounting bolts on the side trim.
2. Pull the grille down slightly and push the bottom in to lock it into place.

IMPORTANT: Make sure the power switch is ON after you clean or repair the refrigerator.

Water Supply Requirements

Read all directions before you begin.

IMPORTANT:

- Read “Connect the Water Supply” in the installation instructions. For questions, refer the “Troubleshooting” section or contact a licensed plumber.
- If you turn on the refrigerator before you connect the water line, turn the ice maker OFF. Refer the “Ice Maker and Storage Bin” section.
- All installations must meet local plumbing code requirements.
- Connect to a potable water supply only.

Do not use with water that is microbiologically unsafe or of unknown quality without adequate disinfection before or after the system. Systems certified for cyst reduction may be used on disinfected waters that may contain filterable cysts.

- When using the ice maker or water dispenser, a banging noise might occur due to rapid changes in water pressure within your home’s pipes. To fix this, a water hammer arrestor should be installed where the refrigerator water line connects to the household water supply. This device absorbs the pressure shock, stopping the banging. For proper installation of the water hammer arrestor, please contact a licensed plumber.

Water Pressure

A cold water supply with water pressure between 30 psi and 120 psi (207 kPa and 827 kPa) is required to operate the water dispenser and ice maker. If you have questions about your water pressure, call a licensed, qualified plumber.

NOTE: If the water pressure is less than what is required, the flow of water from the water dispenser could decrease or ice cubes could be hollow or irregular shaped. If you have questions about your water pressure, call a licensed, qualified plumber.

Reverse Osmosis Water Supply

IMPORTANT: The pressure of the water supply coming out of a reverse osmosis system going to the water inlet valve of the refrigerator needs to be between 30 psi and 120 psi (207 kPa and 827 kPa).

If a reverse osmosis water filtration system is connected to your cold water supply, the water pressure to the reverse osmosis system needs to be a minimum of 40 psi to 60 psi (276 kPa to 414 kPa).

If the water pressure to the reverse osmosis system is less than 40 psi to 60 psi (276 kPa to 414 kPa):

- Check to see whether the sediment filter in the reverse osmosis system is blocked. Replace the filter if necessary.
- Allow the storage tank on the reverse osmosis system to refill after heavy usage.
- If your refrigerator has a water filter, it may further reduce the water pressure when used in conjunction with a reverse osmosis system. Remove the water filter cartridge.

If you have questions about your water pressure, call a licensed, qualified plumber.

Water System Preparation

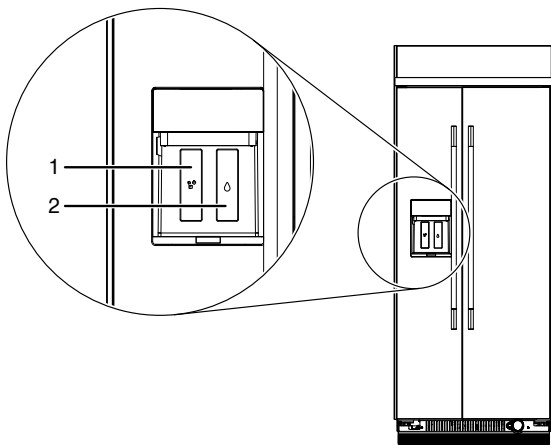
Please read before using the water system. Follow the instructions specific to your refrigerator model.

- Connect to potable water supply only.
- Make sure the water valve is ON before you call for service.
- Do not use with water that is microbiologically unsafe or of unknown quality without adequate disinfection before or after the system. Systems certified for cyst reduction may be used on disinfected waters that may contain filterable cysts.

NOTE:

- After installing/replacing the water filter, allow 24 hours for the first ice production.
- Discard the first full bin of ice.
- The ice container will then fill completely around 3 days of time, depending on the ice and freezer usage.
- Make sure the base grille filter is properly installed and the filter cap is in the horizontal position.

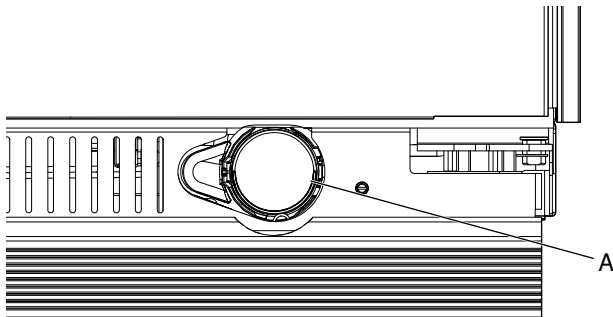
Style 1 (Dispenser Models)



A. Ice Dispenser
B. Water Dispenser

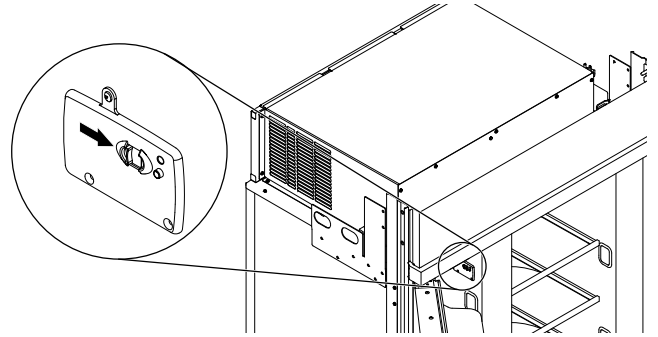
IMPORTANT: After connecting the refrigerator to a water source or replacing the water filter, follow the steps below to make sure that the water system is properly cleaned. This will flush air from the filter and water dispensing system, and prepare the water filter for use.

NOTE: If your model has a base grille filter system, make sure the base grille filter is properly installed and the cap is in the horizontal position.



A. Water filter

1. Open the freezer door and turn off the ice maker. The ON/OFF switch is located on the top right side of the freezer compartment. Move the switch to the OFF (right) setting as shown.

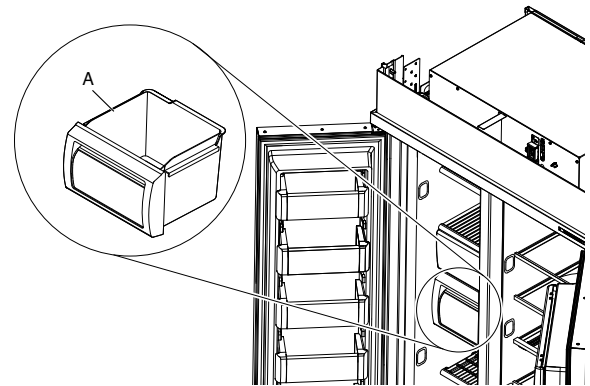


2. Use a sturdy container to depress and hold the water dispenser lever for 5 seconds, then release it for 5 seconds. Repeat until water begins to flow. Once water begins to flow, continue depressing and releasing the dispenser lever (5 seconds on, 5 seconds off) until a total of 3 gallons (12 L) has been dispensed. This will flush air from the filter and water dispensing system, and prepare the water filter for use. Additional flushing may be required in some households.

NOTE: As air is cleared from the system, water may spurt out of the dispenser.

3. Open the freezer door and turn on the ice maker. Move the switch to the ON (left) position.

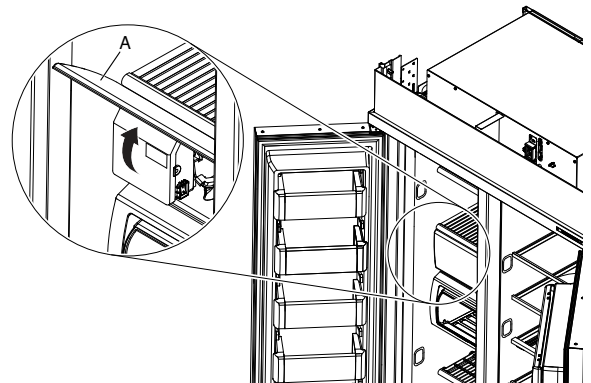
Style 2 (Non-Dispenser Models)



A. Ice drawer

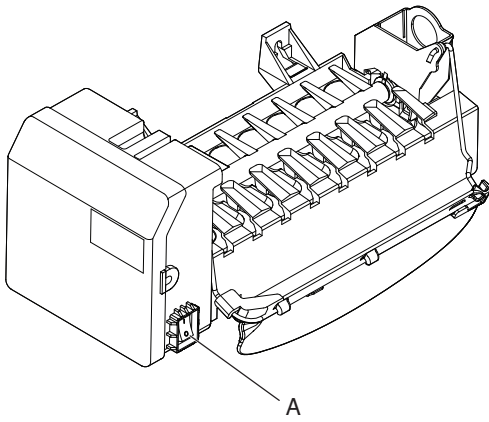
To turn ON or OFF the ice maker:

1. Flip up the ice maker cover.



A. Ice maker cover

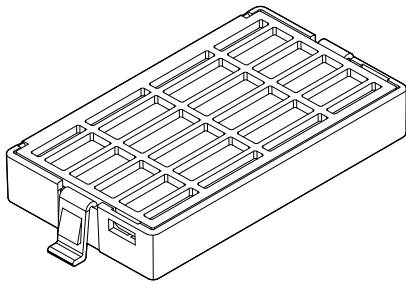
- Use the switch to turn ON or OFF the ice maker.



A. Ice maker switch

Odor Absorber (FreshFlow™ Air Filter)

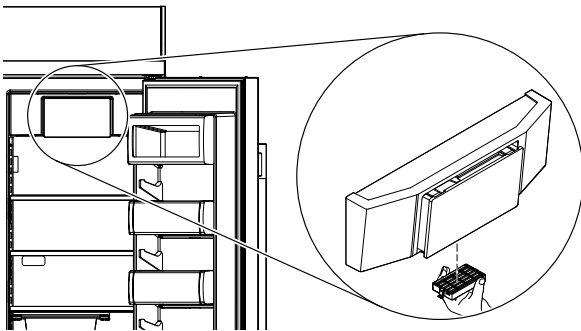
Your refrigerator's accessory packet includes a FreshFlow™ Air Filter, which must be installed prior to use. Please refer to the installation instructions for more information.



The odor absorber reduces the buildup of odors. This helps to maintain a cleaner environment inside the refrigerator.

Installing the Odor Absorber

The absorber should be installed behind the vented door, which is located (depending on your model) along either the rear or left interior wall near the top of the refrigerator compartment.



- Remove the odor absorber from its packaging.
- Snap the absorber in to place.

Replacing the Odor Absorber

The disposable odor absorber should be replaced every 6 months, when the status indicator has completely changed from white to red.

To replace odor absorber, order replacement part **W10311524** online.

- Remove the old odor absorber by squeezing in on the side tabs.
- Install the new odor absorber and status indicator using the instructions in the previous sections.

REFRIGERATOR USE

Using the Controls

⚠ WARNING



Electrical Shock Hazard

Plug into a grounded 3 prong outlet.

Do not remove ground prong.

Do not use an adapter.

Do not use an extension cord.

Failure to follow these instructions can result in death, fire, or electrical shock.

⚠ WARNING



Explosion Hazard

Keep flammable materials and vapors, such as gasoline, away from appliance.

Use nonflammable cleaner.

Failure to do so can result in death, explosion, or fire.

Viewing and Adjusting Temperature Set Points

Adjusting Fresh Food and Freezer Compartment Temperature:

For your convenience, your refrigerator and freezer controls are preset at the factory.

When you first install your refrigerator, make sure that the controls are still set to the recommended set points. The factory recommended set points are 37°F (3°C) for the refrigerator and 0°F (-18°C) for the freezer.

Pressing Refrigerator or Freezer Temperature button will toggle through temperature set points in Fahrenheit (°F).

IMPORTANT:

- Wait 24 hours before you put food into refrigerator. If you add food before refrigerator has cooled completely, your food may spoil.
NOTE: Adjusting the set points to a colder-than recommended setting will not cool compartments any faster.
- If the temperature is too warm or too cold in the refrigerator or freezer, first check the air vents to be sure they are not blocked before adjusting the controls.
- The recommended settings should be correct for normal household use. The controls are set correctly when milk or juice is as cold as you like and when ice cream is firm.
NOTE: Areas such as a garage, basement or porch may have higher humidity or extreme temperatures. You may need to adjust the temperature away from the recommended settings to accommodate for these conditions.
- Wait at least 24 hours between adjustments. Recheck the temperatures before other adjustments are made.

NOTE: To toggle the temperature between degrees Celsius and Fahrenheit, touch and hold “Max Freeze” and “Max cool” buttons for 3 seconds and the temperature display will change.

NOTE: To toggle between Liters and Ounces, touch and hold the “Max Freeze” button for 3 seconds and the measurement unit display will change.

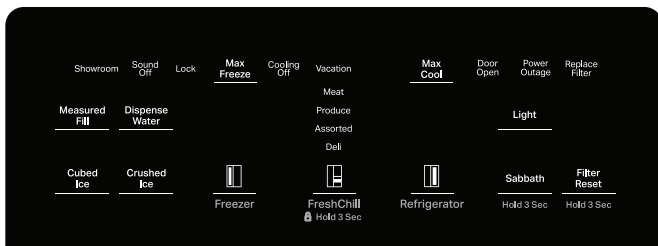
Style 1 (Dispenser Models)

The touch-activated controls are located on the left hand refrigerator door above the external dispenser. The control panel includes information about various buttons and indicators. Refrigerator and freezer temperature indicator shows last temperature set point.

When not using the controls, only few user interface options are visible:



While interacting with the user interface or using dispenser, some of the following controls and indicators will be visible:



Cooling On/Off

Your refrigerator and freezer will not cool when cooling is turned off.

Turn ON

- Press and hold Max Freeze and Max Cool buttons at the same time for 3 seconds.
Cooling Off icon blinks twice and remains on.

Temperature

Setting the Temperature °F/°C preset at °F

- To change between Celsius and Fahrenheit, Press and hold Max Cool and FreshChill buttons at the same time for 3 seconds.
When activated, the selected temperature option displays.
When deactivated, the LED is Off.

Adjusting Temperature

The following applies to both the refrigerator temperature button and freezer temperature button.

Pressing the Freezer or Refrigerator picture button once will decrease the temperature (1°C, 2°F).

Once the temp setting reaches the lowest temperature allowed for that zone, the next button press will change the temperature to the highest temperature allowed for that zone (looping).

The Refrigerator temperature range will be from 33°F to 43°F (1°C to 6°C), with the factory default temperature being 37°F (3°C).

The Freezer temperature range will be from -8°F to 5°F (-22°C to -15°C), with the factory default temperature being 0°F (-18°C).

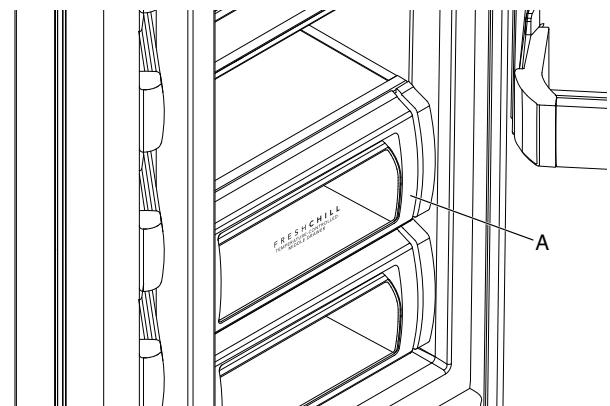
CONDITION/REASON	TEMPERATURE ADJUSTMENT
REFRIGERATOR too cold	REFRIGERATOR Control 1°C or 2°F higher
REFRIGERATOR too warm	REFRIGERATOR Control 1°C or 2°F lower
FREEZER too cold	FREEZER Control 1°C or 2°F higher
FREEZER too warm/too little ice	FREEZER Control 1°C or 2°F lower

FreshChill™ Temperature-Controlled Drawer

FreshChill menu

There are 4 preset temperatures for the FreshChill menu. Press the FreshChill menu button to select the desired option. Coldest to Warmest - Meats, Deli, Assorted, Produce.

- MEAT setting is coldest setting and can be used for defrosting frozen items that need defrosting in the refrigerator.
- PRODUCE setting is warmest setting and used for everyday vegetables and fruits.
- ASSORTED setting is used to keep different items in the same drawer.
- DELI setting is used for Deli meats and cheeses or non produce items.



A. FreshChill drawer

Water Filter Indicator and Reset

The water filter indicator, located on the control panel, will help you know when to change the water filter.

Replace status:

- When the internal control panel's water filter status displays, this tells you that it is almost time to change the water filter cartridge. Replace the water filter cartridge.

Replace Overdue status:

- When the light turns red on the control panel, this tells you that it is time to change the water filter cartridge.
- It is recommended that you replace the filter when the status light turns red or water flow to your water dispenser or ice maker decreases noticeably.

NOTE: If water flow to your water dispenser or ice maker decreases noticeably, change the filter sooner. The filter should be replaced at least every 6 months, depending on your water quality and usage.

When dispensing water after the Replace Filter icon is on, the Replace Filter icon blinks for the duration of dispensing. This applies for both the Replace Filter state and Replace Overdue status. Fourteen days after the Replace Filter indicator turns On, it shall enter "Replace Overdue" mode.

Filter Reset

After changing the filter, press and hold Filter Reset button for 3 seconds. The button will no longer display once reset.

See the "Water Filtration System" section for steps to remove and replace filter.

Max Cool/Max Freeze

Max Cool

The Max Cool feature assists with periods of high refrigerator use, full grocery loads, or temporarily warm room temperature.

- Press Max Cool to set the freezer and refrigerator to the lowest temperature settings.
Press Max Cool again to return to the normal refrigerator set point.

NOTE: The Max Cool feature will shut off automatically in approximately 12 hours.

Max Freeze

The Max Freeze feature assists with temporary periods of heavy ice use by increasing ice production.

- Press Max Freeze to set the freezer to the lowest temperature setting.
Press the Max Freeze feature touch pad again to return to the normal freezer set point.
- While Max Freeze is ON, changing the freezer temperature will deactivate Max Freeze.

NOTE: The Max Freeze feature will shut off automatically in approximately 48 hours.

- Changing the refrigerator temperature or activating Vacation Mode will deactivate Max Cool/Max Freeze.

Measured Fill

- **To Calibrate**, please refer to the "Measured Fill Calibration" section for more details.
- Pressing Measured fill will cycle through pre-set volumes.
- **To Dispense via button:** Press Dispense button to activate. Pressing Dispense again will stop the measured fill.
- **To Dispense via paddle:** Press and hold the water paddle. Releasing the water paddle will stop measured fill.

Alarm Functions

Door Open

The Door Ajar Alarm feature sounds an alarm when the refrigerator or freezer door is open for 5 minutes and the product cooling is turned on. The alarm will repeat every 2 minutes. Close both doors to turn it off. The feature then resets and will reactivate when either door is left open again for 5 minutes.

Power Outage

The power outage indicator lets you know if the power supply to the refrigerator has been cut off and the freezer temperature has risen to 18°F (-8°C) or higher. When power has been restored, the button repeatedly flashes and the red Power Outage icon appears. When the indicator is on, all other control and dispenser functions are disabled until you confirm that you are aware of the power outage.

- Press any button to reset the display screen to its normal status.

Miscellaneous

Cubed Ice Or Crushed Ice

Touch Cubed Ice Or Crushed Ice for your ice selection.

NOTE:

- For crushed ice, cubes are crushed before being dispensed. This may cause a slight delay when dispensing crushed ice. Noise from the ice crusher is normal and pieces of ice may vary in size.
- When changing from crushed to cubed, a few ounces of crushed ice will be dispensed along with the first cubes.

Sound Off:

Press and hold the Max Cool & Refrigerator buttons for 3 seconds to turn the sound alerts on and off.

Control Lock

Press and hold FreshChill button to activate Control Lock feature.

When Control Lock is active:

- All other functions are not accessible.
- Pressing any button will play invalid tone 3 times and lock indicator blinks 3 times.
- Water/Ice paddles are not available, pressing the paddles will play invalid tone 3 times.

Showroom Mode

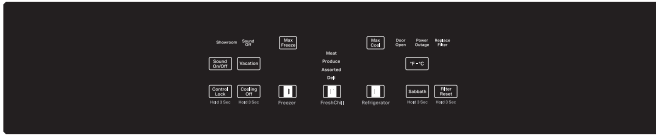
Demo mode for sales floor. Press and Hold the Refrigerator and Freezer buttons for 5 seconds, the showroom indicator will blink twice to remain on/off.

Dispenser Light

When you use the dispenser, the light will automatically turn on. If you want the light to be on continuously, you may turn on the light. Press Light button again to turn off the dispenser light.

Style 2 (Non-Dispenser Models)

User interface (UI) Controls are located above the FreshChill drawer.



Temperature

Setting the Temperature °F/°C preset at °F

- Press °F - °C button to change between Celsius and Fahrenheit.

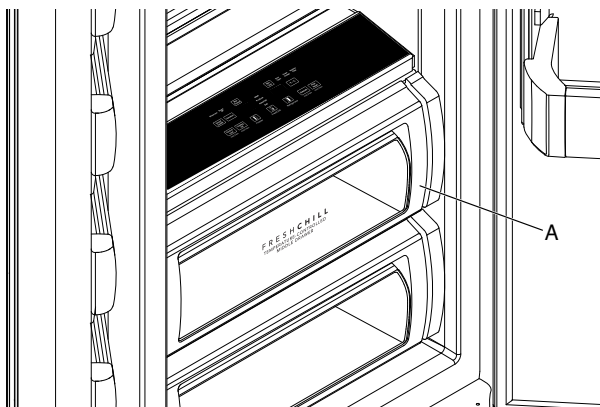
When activated, the selected temperature option displays.
When deactivated, the LED is Off.

FreshChill™ Temperature-Controlled Drawer

FreshChill menu

There are 4 preset temperatures for the FreshChill menu. Press the FreshChill menu button to select the desired option. Coldest to Warmest - Meats, Deli, Assorted, Produce.

- MEAT setting is coldest setting and can be used for defrosting frozen items that need defrosting in the refrigerator.
- PRODUCE setting is warmest setting and used for everyday vegetables and fruits.
- ASSORTED setting is used to keep different items in the same drawer.
- DELI setting is used for Deli meats and cheeses or non produce items.



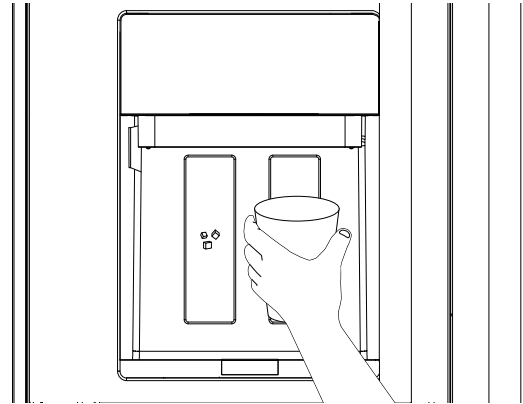
A. FreshChill drawer

Water and Ice Dispensers

Water Dispenser

To Dispense Water:

1. Press a sturdy glass against the water dispenser pad.



NOTE:

- Water will only dispense when left door is closed and will stop dispensing when door is opened.
- It is NOT possible to dispense both water and ice at the same time. The paddle that is pressed first will be the one that dispenses.

2. Remove the glass to stop dispensing.

NOTE: Water may have an off-flavor if you do not use the dispenser periodically. Dispense enough water every week to maintain a fresh supply.

Ice Dispenser

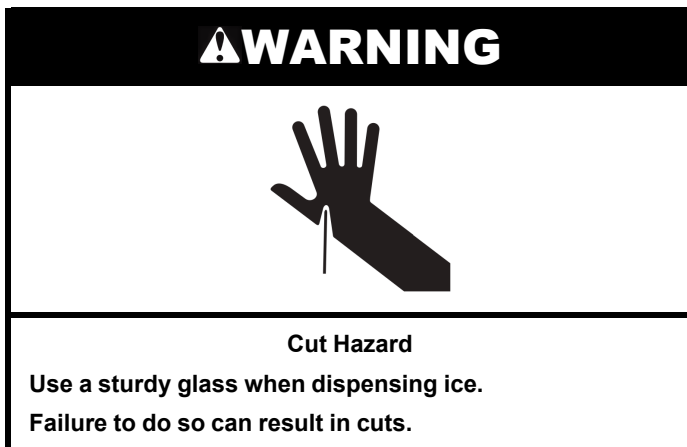
Ice dispenses from the ice maker storage bin in the freezer when the dispenser pad is pressed. The dispensing system will not operate when the freezer door is open. To turn off the ice maker, see "Ice Maker and Storage Bin."

Your ice maker can produce both crushed and cubed ice. The display screen reads "CRUSHED" or "CUBED," indicating which type is selected. To change the setting, press the ICE button before dispensing ice.

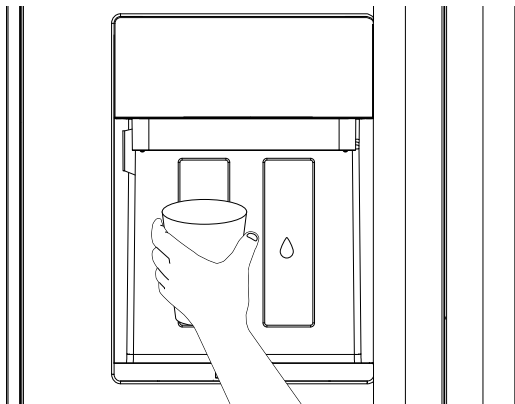
For crushed ice, cubes are crushed before being dispensed. This may cause a slight delay when dispensing crushed ice. Noise from the ice crusher is normal, and pieces of ice may vary in size. When changing from crushed to cubed, a few ounces of crushed ice will be dispensed along with the first cubes.

To Dispense Ice:

1. Press the button to select the desired type of ice.



2. Press a sturdy glass against the ice dispenser pad. Hold the glass close to the dispenser opening so ice does not fall outside of the glass.



IMPORTANT: You do not need to apply a lot of pressure to the pad in order to activate the ice dispenser. Pressing hard will not make the ice dispense faster or in greater quantities.

3. Remove the glass to stop dispensing.

NOTE: Ice may continue to dispense for up to 10 seconds after removing the glass from the pad. The dispenser may continue to make noise for a few seconds after dispensing.

Dispenser Tray (on some models)

Some models have a tray at the bottom of the dispenser area. The tray is designed to catch small spills and is removable for easy emptying and cleaning.

NOTE: There is no drain in the tray.

Ice Maker and Storage Bin

IMPORTANT: Flush the water system before turning on the ice maker. See “Water and Ice Dispensers.” Allow 24 hours to produce the first batch of ice. Discard the first three batches of ice produced. Allow 3 days to completely fill the ice container.

Dispenser Models:

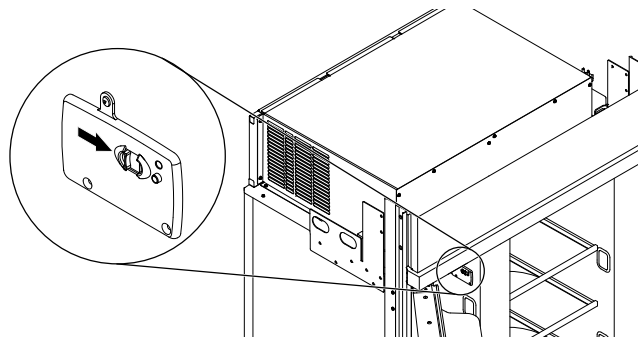
To Turn the Ice Maker On/Off:

The ON/OFF switch is located on the top right side of the freezer compartment.

1. To turn the ice maker on, slide the control to the ON (left) position.

NOTE: Your ice maker has an automatic shut-off. The ice maker sensors will automatically stop ice production, but the control will remain in the ON (left) position.

2. To manually turn the ice maker off, slide the control to the OFF (right) position.

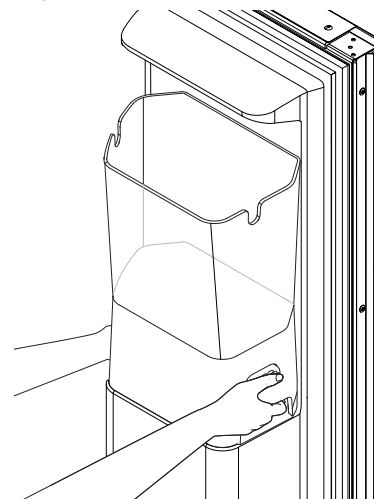


To Remove and Replace the Ice Storage Bin:

1. Hold the base of the storage bin with both hands and press the release button to lift the storage bin and out.

NOTE: It is not necessary to turn the ice maker control to the OFF (right) position when removing the storage bin. The sensor cover (“flipper door”) on the left wall of the freezer stops the ice maker from producing ice if the door is open or the storage bin is removed.

2. Replace the storage bin on the door and push down to make sure it is securely in place.



Cleaning the Ice Bin:

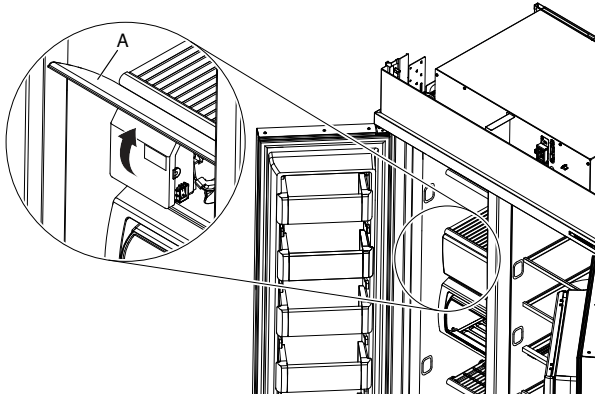
1. Empty the bin (melt ice with warm water if needed). Do not use sharp objects.
2. Wash with mild detergent, rinse, and dry thoroughly. Do not use harsh cleaners.

NOTE: Some ice clumping in the bin is normal (depending on ice usage).

Non-Dispenser Models:

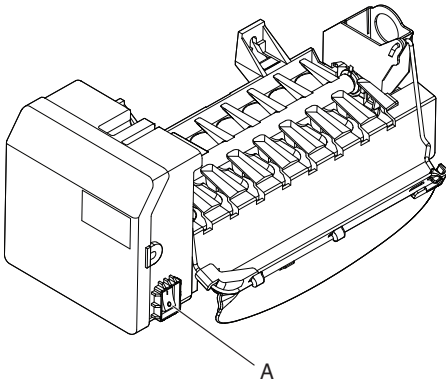
To Remove and Replace the Ice Bin:

1. Flip up the ice maker cover.



A. Ice maker cover

2. Use the switch to turn ON or OFF the ice maker.



A. Ice maker switch

3. Lift up the front of the storage bin and pull the ice bin forward.
4. To replace the ice bin, extend drawer glides out, place bin onto glides and push it fully back until the bin engages with the drawer glides.

NOTE: Improper installation can cause the bin not to close properly.

5. Use the switch to turn ON the ice maker.

Clean the Ice Storage Bin

NOTE: It is normal for ice to stick together in the ice bin. Ice may be dispensed or used more frequently which will break up the ice. It is recommended that the ice container be emptied and cleaned as needed.

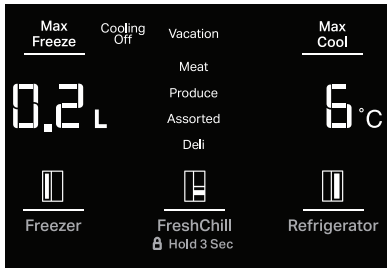
To clean the ice storage bin:

1. Empty the ice container. Use warm water to melt the ice if necessary.
NOTE: Do not use anything sharp to break up the ice in the bin or bucket. This can cause damage to the ice container and the dispenser mechanism.
2. Wash ice bin with a mild detergent, rinse well and dry thoroughly. Do not use harsh or abrasive cleaners or solvents.

Remember

- Allow 24 hours to produce the first batch of ice. Allow 3 days to completely fill ice container.
- Discard the first three batches of ice produced to avoid impurities that may be flushed out of the system.
- The quality of your ice will be only as good as the quality of the water supplied to your ice maker.
- Avoid connecting the ice maker to a softened water supply.
- Water softener chemicals (such as salt) can damage parts of the ice maker and lead to poor quality ice. If a softened water supply cannot be avoided, make sure the water softener is operating properly and is well maintained.
- It is normal for the ice cubes to be attached at the corners. They will break apart easily.
- For **Non-Dispenser Models** ice maker, do not force the wire shut-off arm up or down.
- Do not store anything on top of the ice maker or in the ice storage bin/bucket.

Setting Liters and Ounces



Press and hold the Max Freezer and FreshChill buttons to change between liters (L) and ounces (oz).

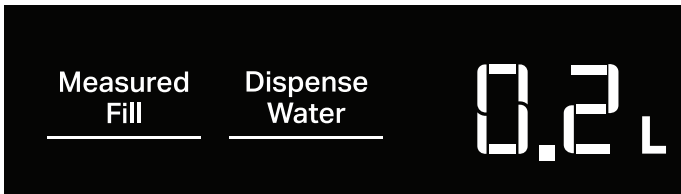
When you choose L or oz, the correct LED light turns ON brightly. The LED light turns OFF after 10 seconds if you do not use the water amount function.

The L/oz option only turns ON when you use a water amount function (for example, measured fill or calibration).

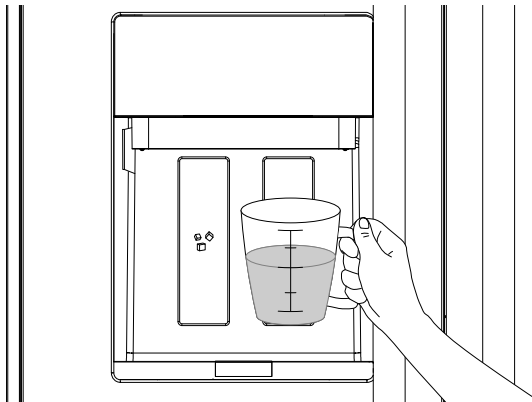
Calibrate Measured Fill

Household water pressure may affect the accuracy of the Measured Fill feature. For optimum performance of your water dispenser, you must first calibrate Measured Fill.

Start Calibration Mode: Press and hold the Measured Fill button for 3 seconds to enter Calibration Mode. The button will display along with the 0.2 L or 8 oz default settings.



Dispense Water: Pressing the water pad will dispense water (e.g. into a measuring cup) until the desired amount is dispensed. Releasing the water pad will stop water dispensing.



Save and Exiting Calibration

- Save:** If water was dispensed, pressing the Measured Fill button will save the amount dispensed, a tone will play and the calibration amount display will blink twice.
- Exit (No Save):** If no water was dispensed, Pressing the Measured Fill button will exit Calibration mode without saving the calibration amount.



NOTE: The amount of water you select will be dispensed. Be sure that the container is empty and can hold the entire volume. If ice is in the container, you may need to adjust your selection.

IMPORTANT: Low water pressure may affect the accuracy of this feature.

- Press MEASURED FILL to turn the feature on. When the feature is on, the Measured Fill screen appears on the display.
- To dispense water, press a sturdy glass against the water dispenser pad or place the glass below the water dispenser and press the MEASURED FILL button. Hold the glass close to the water dispenser spout to ensure that the water dispenses into the glass.
- The Measured fill button can be pressed to loop the preset amounts. Each press advances the preset amount until the end of the options are reached. Example - 8 oz to 16 oz to 24oz, END (0.2L to 0.5L to 1.0L, END).

NOTE:

- The dispenser will automatically turn off Measured Fill after 1 minute of inactivity. When Measured Fill is turned off, any changes you have made will be lost and all defaults will be restored.
- Most coffee cups are 4-6 oz (118-117 ml) and are not the same size as an 8 oz (237 ml) measuring cup. You may need to adjust the volume to avoid overflowing coffee cups.
- While dispensing water, the digital display will count down how much water remains to be dispensed, according to the volume you selected. The flow of water will automatically stop once the desired volume has been dispensed.

Water Filtration System

Do not use with water that is microbiologically unsafe or of unknown quality without adequate disinfection before or after the system. Systems certified for cyst reduction may be used on disinfected waters that may contain filterable cysts.

Water Filter Status Indicator

The water filter indicator, located on the control panel, will help you know when to change the water filter.

Replace status:

- Replace the water filter cartridge when the water filter status display changes to "Replace".

Replace Overdue status:

- When the light turns red on the control panel, this tells you that it is time to change the water filter cartridge.
- It is recommended that you replace the filter when the status light turns red or water flow to your water dispenser or ice maker decreases noticeably.

NOTE: If water flow to your water dispenser or ice maker decreases noticeably, change the filter sooner. The filter should be replaced at least every 6 months, depending on your water quality and usage.

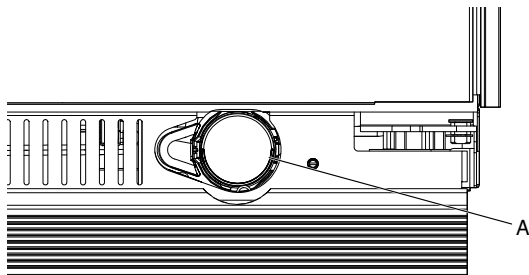
When dispensing water after the Replace Filter icon is on, the Replace Filter icon blinks for the duration of dispensing. This applies for both the Replace Filter status and Replace Overdue status. Fourteen days after the Replace Filter indicator turns On, it shall enter "Replace Overdue" mode.

Filter Reset

After changing the filter, press and hold Filter Reset button for 3 seconds. The button will no longer display once reset.

Changing the Water Filter

The water filter is located in the base grille below the freezer compartment door. It is not necessary to remove the base grille to remove the filter.

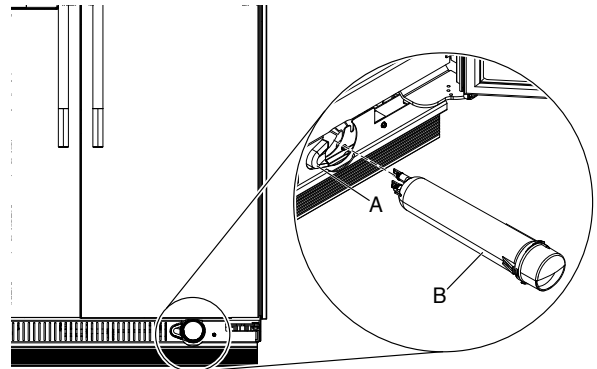


A. Water filter

1. Remove the filter by pressing the eject button and pulling straight out on the filter cap.

NOTE:

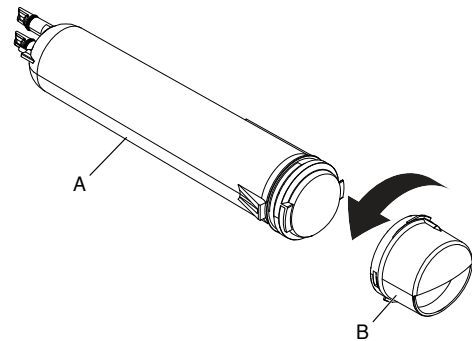
- Avoid twisting the cap when removing the filter because this could cause the cap to come off. If this occurs, replace the cap and pull the filter straight out.
- There will be water in the filter. Some spilling may occur.



A. Eject button
B. Water filter

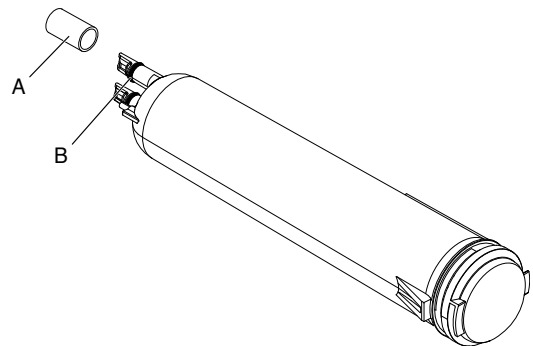
2. Remove the cap by turning it counterclockwise until it stops.

IMPORTANT: Do not discard the cap. It is part of your refrigerator. Keep the cap to use with the replacement filter.



A. Water filter
B. Cap

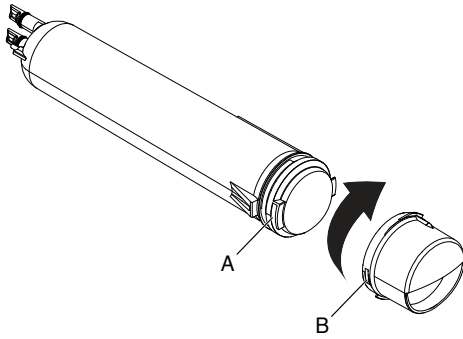
3. Align the ridge on the cap with the arrow on the new filter, and turn the cap until it snaps into place.



A. Cover
B. O-rings

4. Remove the covers from the O-rings. Make sure that O-rings are still in place after the covers are removed.

- Place the cap (removed in Step 2) on the new filter. Align the ridge on the cap with the arrow on the filter. Turn the cap clockwise until it snaps into place.



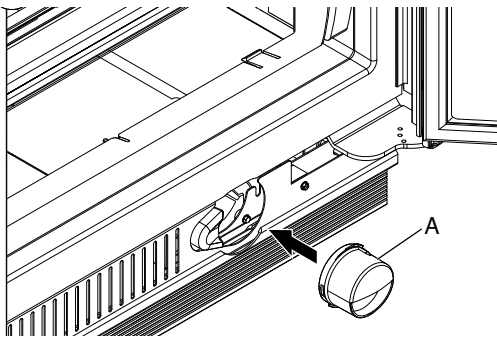
A. Arrow on filter
B. Ridge on cap

- Push the new filter into the opening in the base grille. As the filter is inserted, the eject button will depress. The eject button will pop back out when the filter is fully engaged.
- Pull gently on the cap to check that the filter is securely in place.
- Flush the water system. Depending on your model, see “Water and Ice Dispensers” or “Ice Maker and Storage Bin.”

Using the Ice Maker Without a Water Filter

You can operate the ice maker without a water filter. Your ice will not be filtered.

- Remove the filter by pressing the eject button and pulling on the cap. See “Changing the Water Filter” earlier in this section.
- Remove the cap by turning it counterclockwise until it stops.
IMPORTANT: Do not discard the cap. It is part of your refrigerator.
- With the cap in a horizontal position, insert the cap into the base grille until it stops.



A. Cap

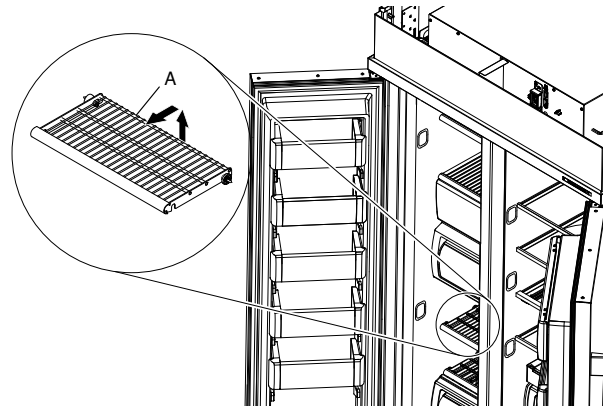
- Turn the cap counterclockwise until the cap slips into the attachment slot. Then, turn the cap clockwise until it is in a horizontal position.

NOTE: The cap will not be even with the base grille.

Freezer Shelves

To remove and replace the shelf:

- Remove the shelf by lifting it up and pulling it straight out.
- Replace the shelf by putting it over the supports and lowering it into place.



A. Freezer shelf

Frozen Food Storage Guide

Storage times will vary according to the quality and type of food, the type of packaging or wrap used (should be airtight and moisture-proof), and the storage temperature. Ice crystals inside a sealed package are normal. This simply means that moisture in the food and air inside the package have condensed, creating ice crystals.

Put no more unfrozen food into the freezer than will freeze within 24 hours (no more than 2 to 3 lbs of food per cubic foot [907-1,350 g per 28 L] of freezer space). Leave enough space in the freezer for air to circulate around packages. Be sure to leave enough room for the door to close tightly.

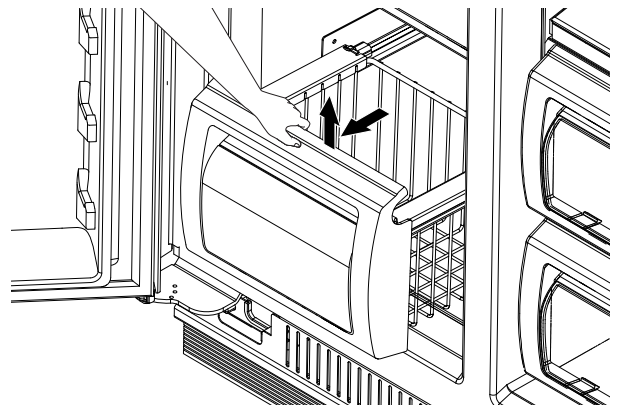
For more information on preparing food for freezing, check a freezer guide or reliable cookbook.

Freezer Basket

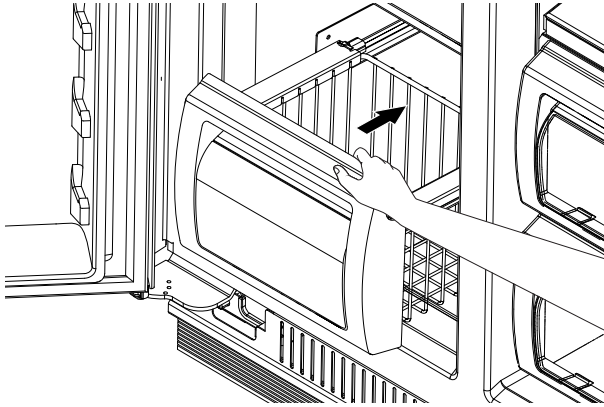
The freezer basket can be used to store bags of frozen fruits and vegetables that may slide off freezer shelves.

To remove and replace the freezer basket:

- Pull the basket straight out to the stop.
- Lift the front of the basket and slide it out the rest of the way.



- Replace the basket by positioning it on the side wall guide rails. Lift the basket front slightly while pushing it past the guide rail stops and slide basket in the rest of the way.



MAINTENANCE AND CARE

Cleaning

⚠WARNING

Explosion Hazard

Risk of Fire or Explosion.

Flammable Refrigerant Used.

Do Not Use Mechanical Devices to Defrost Refrigerator.

Do Not Puncture Refrigerant Tubing.

Both the refrigerator and freezer sections defrost automatically. However, clean both sections about once a month to avoid buildup of odors. Wipe up spills immediately.

To Clean Your Refrigerator:

- Remove the top grille. See "Power On/Off Switch."
- Press the power switch to OFF.
- Remove all removable parts from inside, such as shelves, FreshChill drawer, etc.
- Hand wash, rinse, and dry removable parts and interior surfaces thoroughly. Use a clean sponge or soft cloth and a mild detergent in warm water.
 - Do not use abrasive or harsh cleaners such as window sprays, scouring cleansers, flammable fluids, cleaning waxes, concentrated detergents, bleaches or cleansers containing petroleum products on plastic parts, interior and door liners or gaskets. Do not use paper towels, scouring pads, or other harsh cleaning tools. These can scratch or damage materials.
 - To help remove odors, you can wash interior walls with a mixture of warm water and baking soda (2 tbs to 1 qt [26 g to 0.95 L] of water).

- Wash stainless steel and painted metal exteriors with a clean sponge or soft cloth and a mild detergent in warm water. Do not use abrasive or harsh cleaners, or cleaners containing chlorine. Dry thoroughly with a soft cloth.

NOTE: To keep your Stainless Steel refrigerator looking like new and to remove minor scuffs or marks, it is suggested that you use the manufacturer's approved Stainless Steel Cleaner and Polish.

IMPORTANT: This cleaner is for stainless steel parts only.

Do not allow the Stainless Steel Cleaner and Polish to come into contact with any plastic parts such as the trim pieces, dispenser covers or door gaskets. If unintentional contact does occur, clean plastic part with a sponge and mild detergent in warm water. Dry thoroughly with a soft cloth. To order the cleaner, see "Accessories."

- Press the power switch to ON.
- Replace the top grille. See "Power On/Off Switch."

Condenser Cleaning

⚠WARNING

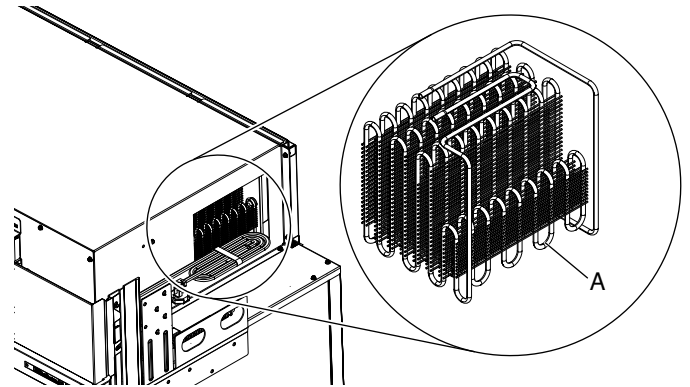
Explosion Hazard

Risk of Fire or Explosion due to Puncture of Refrigerant Tubing;

Follow Handling Instructions Carefully.

Flammable Refrigerant Used.

There is no need for routine condenser cleaning in normal home operating environments. If the environment is particularly greasy or dusty or there is significant pet traffic in the home, the condenser should be cleaned every 6 months to ensure maximum efficiency.



A. Condenser

- Unplug refrigerator or disconnect power.
- Remove the upper grille.
- Use a vacuum cleaner with a soft brush to clean the grille, the open areas behind the grille, and the front surface area of the condenser.
- Replace the base grille when finished.
- Plug in refrigerator or reconnect power.

NOTE: If you are unable to clean the condenser, please call for service.

Changing the LED Module

IMPORTANT: The lights in both the refrigerator and freezer compartments use LED technology. If the lights do not illuminate when the door or drawer is opened, call for assistance or service. Refer to the “Quick Start Guide” for contact information. If an LED module(s) do not illuminate when the refrigerator and/or freezer door is opened, call for assistance or service.

Refrigeration Shelves and Door Bins

Important information to know about glass shelves and covers:

Do not clean glass shelves or covers with warm water when they are cold. Shelves and covers may break if exposed to sudden temperature changes or impact, such as bumping. Tempered glass is designed to shatter into many small, pebble-size pieces. This is normal. Glass shelves and covers are heavy. Use both hands when removing them to avoid dropping.

The shelves in your refrigerator are adjustable to match your individual storage needs.

Storing similar food items together in your refrigerator and adjusting the shelves to fit different heights of items will make finding the exact item you want easier. It will also reduce the amount of time the refrigerator door is open, and save energy.

Door Bins

Gallon door bin holds gallon containers, shallow bins hold 2 L bottles and small items bin holds items that can get lost on shelves. All are removable for easy cleaning.

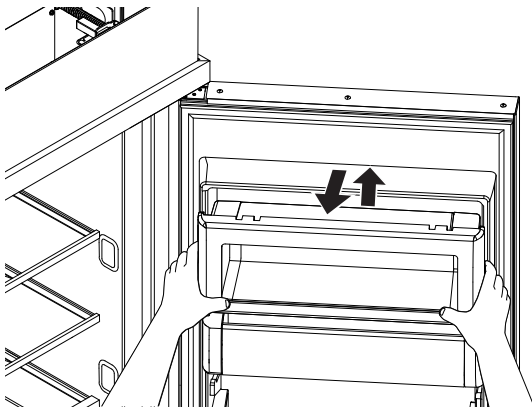
Small Items Bin

NOTE: Proper placement of bin is on top spot of door to avoid items from falling out during opening and closing of door.

1. Install the Small Items Bin in top spot of door and push down to secure.

To remove and replace the small items bin:

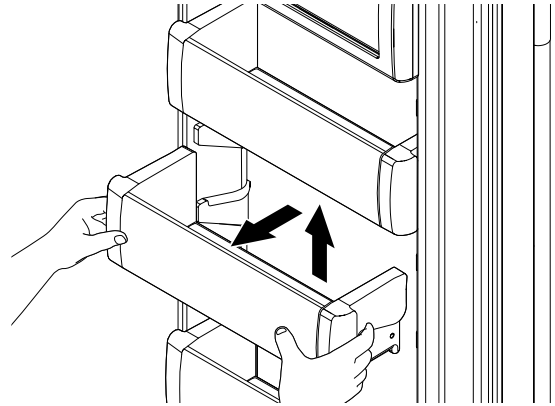
1. Remove bin by lifting it up and pulling it out.
2. Replace bin by sliding it in above the desired support and pushing down until it stops.



3. Install the Small Items Bin in the top spot of the door.

Shallow Door Bins To remove and replace the shallow door bin:

1. Remove bin by lifting up and pulling out.
2. Replace bin by sliding in above the desired support and pushing down until it stops.



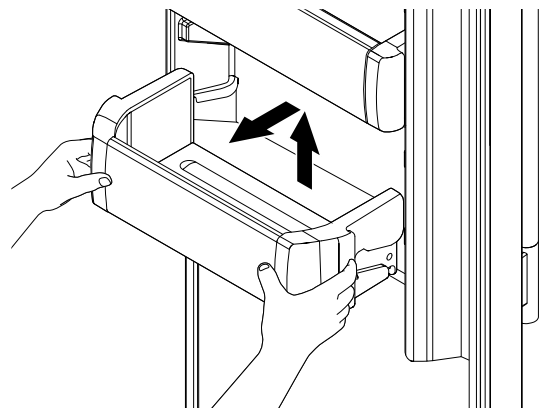
Gallon Door Bin

NOTE: The bin can only be placed on the lower door support.

1. Install bin above lowest door support adjustment slot and push down to secure.

To remove and replace the gallon door bin:

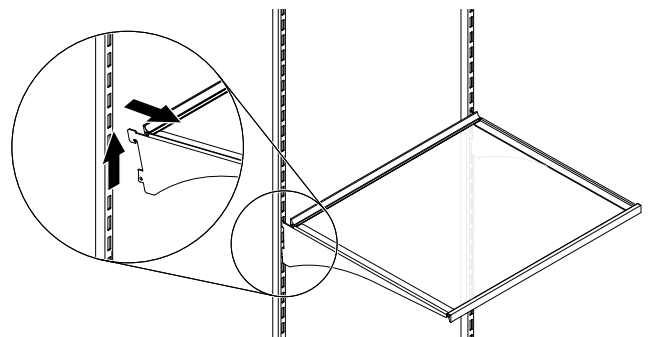
1. Remove the bin by lifting and pulling out.
2. Replace the bin by sliding in above the desired support and pushing down until it stops.



Shelves and Shelf Frames

To remove and replace a shelf/frame:

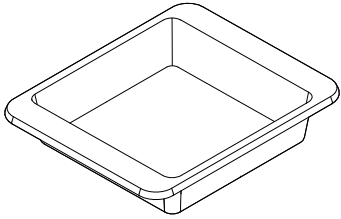
1. Remove the shelf/frame by tilting it up at the front and lifting it out of the shelf supports. Pull shelf straight out.
2. Replace the shelf/frame by guiding the rear shelf hooks in to the shelf supports. Tilt the front of the shelf up until the rear shelf hooks drop into the shelf supports.
3. Lower the front of the shelf and check that the shelf is in position.



Pull Out Tray

Remove and Replace:

1. Remove food from tray.
2. Pull drawer out about 4" (10.16 cm).
3. Reach under the tray with both hands and lift gently upward until front of shelf is free. Tilt the shelf at an angle and remove the shelf from the refrigerator.
4. Tilt the shelf at an angle and position it above the support rails.
5. Place shelf gently on support rails on side wall.



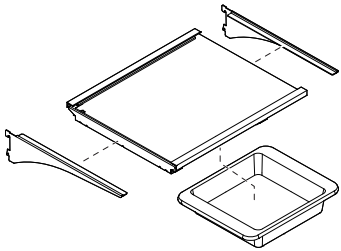
Marinating Pan

To remove and replace Marinating Pan:

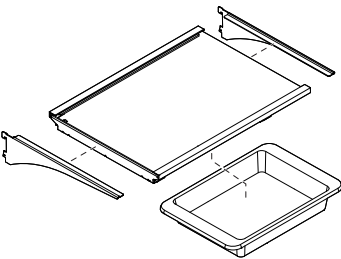
1. Remove the marinating pan by lifting it up off the brackets. Press the right-hand side of the pan inward until it is free of its bracket. Lower the right-hand side slightly and disengage the left-hand side from its bracket.
2. Replace the marinating pan by inserting the left-hand side into its bracket. Press inward on the right-hand side until it will slide past the bracket edge and set it into its bracket.

NOTE: Remove everything that is below (pans/bucket) and above the Marinating Pan before removing it.

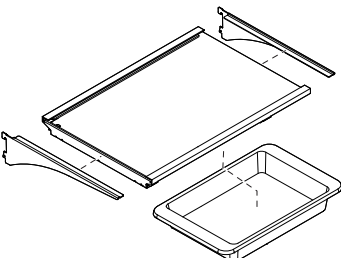
For 36"



For 42"



For 48"

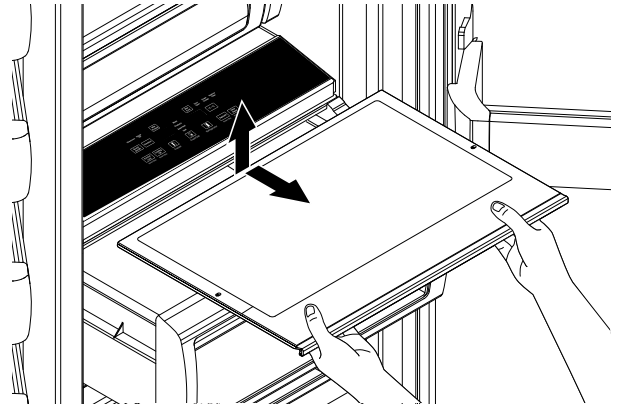


To purchase additional bakeware please visit:

<https://www.kitchenaid.com/kitchenware/bakeware.html>

Remove and Replace the Top Drawer Cover

1. Remove food from Top drawer cover. Pull drawer out about 4" (10.16 cm). Reach under the glass shelf with both hands and lift gently upward until back of shelf is free. Tilt the shelf at an angle and remove the shelf from the refrigerator. Be sure not to bump the glass.



2. Replace the cover by holding the glass shelf firmly with both hands, tilt the shelf at an angle and position it above the support rails. Place shelf gently on support rails on side wall.

NOTE:

- Non Dispenser products have UI just above the drawer with cooling control.
- The UI for Dispenser products is in the door.

Meat Storage Guide

Store most meat in original wrapping as long as it is airtight and moisture-proof. Rewrap if necessary. See the following chart for storage times. When storing meat longer than the times given, freeze the meat.

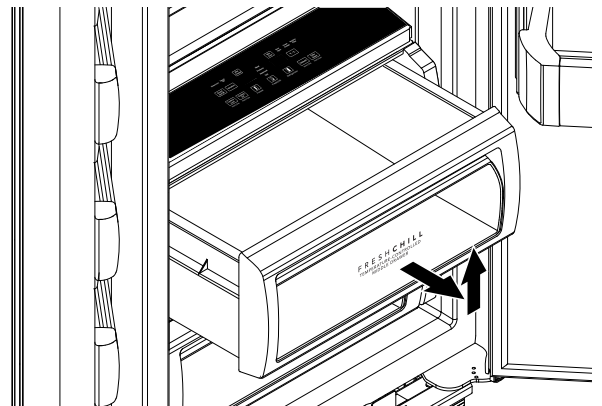
Fresh fish or shellfish..... use same day as purchased
Chicken, ground beef, variety meats (liver) 1-2 days
Cold cuts, steaks/roasts 3-5 days
Cured meats..... 7-10 days

Leftovers - Cover leftovers with plastic wrap, aluminum foil, or plastic containers with tight lids.

FreshChill drawer and Covers

To remove and replace the FreshChill drawer:

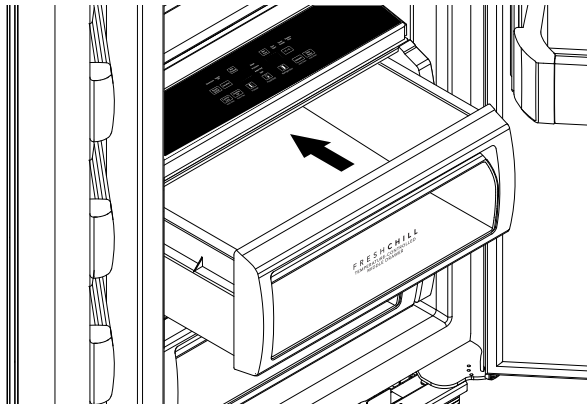
1. Slide the crisper drawer straight out to the stop. Lift the front of the drawer with one hand while supporting the bottom with the other hand. Slide the drawer out the rest of the way.



To purchase additional bakeware please visit:

<https://www.kitchenaid.com/kitchenware/bakeware.html>

2. To replace the FreshChill drawer, place the drawer onto slides and push the drawer back until securely in position.



3. Test the FreshChill drawer to make sure it has been replaced properly.

To clean FreshChill drawer covers:

1. To clean the top cover, remove the drawer located above it.
2. To clean the bottom cover, first remove the both the top FreshChill drawer and the top cover.

Sabbath and Vacation Care

Sabbath Instructions

Your refrigerator is equipped with the Sabbath Mode feature, which is designed for those whose religious observances require turning off the lights and ice maker.

By selecting this feature:

- The temperature set points and Deli Pan settings remain unchanged.
- LEDs from the electronic controls will not display.
- The Sabbath button will be the only light displaying.
- Ice and Water will not dispense.
- No alarm will ring.
- Interior lights will turn off.
- The product will not change its behavior by opening the door.

For most efficient refrigerator operation, it is recommended to exit Sabbath mode when it is no longer required.

To fully activate Sabbath Mode, you must follow the instructions below for the control panel.

IMPORTANT: If you do not activate Sabbath Mode in both ways listed below, some functions you wish to disable will remain active.

CONTROL PANEL

In Sabbath Mode, the temperature set points remain unchanged and the interior lights turn off.

1. To turn ON the Sabbath Mode, Press the Sabbath button on the dispensing or internal controls and hold for 3 seconds.
2. Turn OFF Ice Maker (Refer to the “Ice Maker and Storage Bin” section for further instructions on how to turn the icemaker ON or OFF).
3. Press the Sabbath button again for 3 seconds to turn OFF Sabbath Mode. Turn Ice Maker back ON.

NOTE: If a power outage occurs while in Sabbath Mode the appliance will remain in Sabbath Mode when power returns.

Vacation Care

Vacation

If You Choose to Leave the Refrigerator On While You are Away:

1. Use up any perishables and freeze other items.

2. If your refrigerator has an automatic ice maker, and is connected to the household water supply, turn off the water supply to the refrigerator. Property damage can occur if the water supply is not turned off.
3. If you have an automatic ice maker, turn off the ice maker.
 - Refer to the “Ice Maker and Storage Bin” section for further instructions on how to turn the ice maker ON or OFF.
4. Empty the ice bin.
5. Set Vacation Mode.

For NON-dispensing units:

1. Press Vacation button to turn ON and light displays. Press again to turn OFF.

For dispensing units:

1. To turn ON Vacation mode, Press and hold the Max Freeze and Freezer button for 3 seconds, the Vacation indicator shows 100% bright and blinks twice and remains ON.
2. To turn OFF Vacation mode, Press and hold the Max Freeze and Freezer button for 3 seconds, the vacation indicator blinks twice and remains OFF.

NOTE: Activating Vacation mode does not turn off the ice maker.

If You Choose to Turn Off the Refrigerator Before You Leave:

1. Remove all food from the refrigerator.
2. If your refrigerator has an automatic ice maker:
 - Turn off the water supply to the ice maker at least one day ahead of time.
 - When the last load of ice drops, raise the wire shutoff arm to the Off (up) position or press the switch to Off, depending on your model.
3. Empty the ice bin.
4. Depending on your model, turn the Thermostat Control (or Refrigerator Control) to OFF. See “Using the Controls”.
5. Clean refrigerator, wipe it, and dry well.
6. Tape rubber or wood blocks to the tops of both doors to prop them open far enough for air to get in. This stops odor and mold from building up.


TROUBLESHOOTING

Refrigerator Operation

First try the solutions suggested here to avoid service call. If you need further assistance, refer to the contact information in the "Quick Start Guide."

The Refrigerator will not Operate

⚠ WARNING



Electrical Shock Hazard

Plug into a grounded 3 prong outlet.

Do not remove ground prong.

Do not use an adapter.

Do not use an extension cord.

Failure to follow these instructions can result in death, fire, or electrical shock.

- **Power cord unplugged?** Plug into a grounded 3 prong outlet.
- **Is outlet working?** Plug in a lamp to see if the outlet is working.
- **Household fuse blown or circuit breaker tripped?** Replace the fuse or reset the circuit breaker. If the problem continues, call an electrician.
- **Are controls on?** Make sure the refrigerator controls are on. See "Using the Controls."
- **Is refrigerator defrosting?** Your refrigerator will regularly run an automatic defrost cycle. Recheck in 45 minutes to see if it is operating.
- **New installation?** Allow 24 hours following installation for the refrigerator to cool completely.
NOTE: Adjusting the temperature controls to the coldest setting will not cool either compartment more quickly.

The Motor Seems to Run too Much

Your new refrigerator may run longer than your old one due to its high-efficiency compressor and fans. The unit may run even longer if the room is warm, a large food load is added, doors are opened often, or if the doors have been left open.

If the Refrigerator is Noisy

Refrigerator noise has been reduced over the years. Due to this reduction, you may hear intermittent noises from your new refrigerator that you did not notice from your old model. Below are listed some normal sounds with an explanation.

- **Buzzing** - heard when the water valve opens to fill the ice maker.
- **Pulsating** - fans/compressor adjusting to optimize performance.
- **Rattling** - flow of refrigerant, water line, or from items placed on top of the refrigerator.
- **Sizzling/Gurgling** - water dripping on the heater during defrost cycle.
- **Popping** - contraction/expansion of inside walls, especially during initial cool-down.
- **Water running** - may be heard when water melts during the defrost cycle and runs into the drain pan.

- **Creaking/Cracking** - occurs as ice is being ejected from the ice maker mold.
- **Banging noise during ice maker or water dispensing operation** - Check if a water hammer arrestor is required to be installed. Refer to the "Water Supply Requirements" section for more information.

There is no Audible Door Open Alarm

Has the door been open less than 10 minutes?


The door open alarm will only flash when the door has been open for 10 minutes. The audible alarm will sound the first time the door is left open for more than 10 minutes. Subsequent door open alarms will only flash. You must reset the audible alarm each time. See "Using the Controls."

The Doors will not Close Completely

- **Door blocked open?** Move food packages away from door.
- **Bin or shelf in the way?** Push bin or shelf back in the correct position.

The Doors are Difficult to Open

⚠ WARNING



Explosion Hazard

Keep flammable materials and vapors, such as gasoline, away from appliance.

Use nonflammable cleaner.

Failure to do so can result in death, explosion, or fire.

Are the gaskets dirty or sticky? Clean gaskets with mild soap and warm water.

The Lights Do not Work

Is the refrigerator in Sabbath mode? See "Using the Controls."

Has the door been open more than 10 minutes? See "Using the Controls."

Temperature and Moisture

Temperature is Too Warm

- **New installation?** Allow 24 hours following installation for the refrigerator to cool completely.
- **Door(s) opened often or left open?** Allows warm air to enter refrigerator. Minimize door openings and keep doors fully closed.
- **Large load of food added?** Allow several hours for refrigerator to return to normal temperature.
- **Controls set correctly for the surrounding conditions?** Adjust the controls a setting colder. Check temperature in 24 hours. See “Using the Controls.”
- **Refrigerator not cooling?** For models with digital controls, turn the refrigerator off and then on to reset. If this does not correct the problem, call for service.
- **Air vents blocked?** Remove any item from in front of the air vents.

There is Interior Moisture Buildup

NOTE: Some moisture buildup is normal.

- **Humid room?** Contributes to moisture buildup.
- **Door(s) opened often or left open?** Allows humid air to enter refrigerator. Minimize door openings and keep doors fully closed.

Ice and Water

The Ice Maker is Not Producing Ice or not Enough Ice

- **Refrigerator connected to a water supply and the supply shut-off valve turned on?** Connect refrigerator to water supply and turn water shut-off valve fully open.
- **Kink in the water source line?** A kink in the line can reduce water flow. Straighten the water source line.
- **Ice maker turned on?** Make sure switch is in the ON position.
- **New installation?** Wait 24 hours after ice maker installation for ice production to begin. Wait around 72 hours for full ice production.
- **Large amount of ice recently removed?** Allow 24 hours for ice maker to produce more ice.
- **Ice cube jammed in the ice maker ejector arm?** Remove ice from the ejector arm with a plastic utensil.
- **Reverse osmosis water filtration system connected to your cold water supply?** This can decrease water pressure. See “Water Supply Requirements”.

The Ice Cubes are Hollow or Small

NOTE: This is an indication of low water pressure.

- **Water shut-off valve not fully open?** Turn the water shut-off valve fully open.
- **Kink in the water source line?** A kink in the line can reduce water flow. Straighten the water source line.
- **Reverse osmosis water filtration system connected to your cold water supply?** This can decrease water pressure. See “Water Supply Requirements.”
- **Questions remain regarding water pressure?** Call a licensed, qualified plumber.

Ice is Sticking Together in the Ice Storage Bin

- It is normal for frost to be on top of the ice storage bin due to normal opening and closing of the freezer.
- It is normal for ice to stick together when it is not dispensed or used frequently. It is recommended that the ice storage bin be emptied and cleaned as needed. See “Ice Maker and Storage Bin.”

Off-Taste, Odor or Gray Color in the Ice

- **New plumbing connections?** New plumbing connections can cause discolored or off-flavored ice.
- **Ice stored too long?** Discard ice. Wash ice bin. Allow 24 hours for ice maker to make new ice.
- **Odor transfer from food?** Use airtight, moisture proof packaging to store food.
- **Are there minerals (such as sulfur) in the water?** A water filter may need to be installed to remove the minerals.
- **Is there a water filter installed on the refrigerator?** Gray or dark discoloration in ice indicates that the water filtration system needs additional flushing.

The Ice Dispenser Will Not Operate Properly

- **Freezer door closed completely?** Close the door firmly. If it does not close completely, see “The doors will not close completely.”
- **Ice bin installed correctly?** Be sure the ice bin is firmly in position.
- **New installation?** Wait 24 hours after ice maker installation for ice production to begin. Wait around 72 hours for full ice production.
- **Ice stuck in the delivery chute?** Remove the Ice Bin from the door. Use a plastic utensil to clear the delivery chute.
- **Has the wrong ice been added to the bin?** Use only cubes produced by the current ice maker.
- **Has the ice melted around the auger (metal spiral) in the ice bin?** Empty the ice container. Use warm water to melt the ice if necessary.

⚠️WARNING



Cut Hazard

Use a sturdy glass when dispensing ice.

Failure to do so can result in cuts.

- **Is the ice dispenser stalling while dispensing “crushed” ice?** Change the ice button from “crushed” to “cubed.” If cubed ice dispenses correctly, depress the button for “crushed” ice and begin dispensing again.
- **Has the dispenser arm been held in too long?** Ice will stop dispensing when the arm is held in too long. Wait 3 minutes for dispenser motor to reset before using again.

The Water Dispenser will not Operate Properly

- **Freezer door closed completely?** Close the door firmly. If it does not close completely, see “The doors will not close completely.”
- **Refrigerator connected to a water supply and the supply shut-off valve turned on?** Connect refrigerator to water supply and turn water shut-off valve fully open.
- **Is the water pressure at least 30 psi (207 kPa)?** The water pressure to the home determines the flow from the dispenser. See “Water Supply Requirements.”
- **Kink in the home water source line?** Straighten the water source line.
- **New installation?** Flush and fill the water system.
- **Water filter installed on the refrigerator?** The filter may be clogged or incorrectly installed.
- **Is a reverse osmosis water filtration system connected to your cold water supply?** See “Water Supply Requirements” in either the Installation Instructions or the Use & Care Guide.

Water is Leaking from the Dispenser

NOTE: One or two drops of water after dispensing is normal.

- **Glass not being held under the dispenser long enough?** Hold the glass under the dispenser 2 to 3 seconds after releasing the dispenser lever.
- **New installation?** Flush the water system. See “Prepare the Water System” or “Water and Ice Dispensers.”
- **Recently changed water filter?** Flush the water system. See “Prepare the Water System” or “Water and Ice Dispensers.”

The Dispenser Water is not Cool Enough

NOTE: Water from the dispenser is chilled to only 50°F (10°C).

- **New installation?** Allow 24 hours after installation for the water supply to cool completely.
- **Recently dispensed large amount of water?** Allow 24 hours for water supply to cool completely.
- **Water not been recently dispensed?** The first glass of water may not be cool. Discard the first glass of water.
- **Refrigerator connected to a cold water pipe?** Make sure the refrigerator is connected to a cold water pipe. See “Water Supply Requirements.”

PERFORMANCE DATA SHEET

Water Filtration System

Model EDR3RXD1B/P1WB2 Capacity 200 Gallons (757 Liters) with PID; 100 Gallons (378 Liters) without PID
Replacement Filter EDR3RXD1, EDR3RXD1B, WHR3RXD1, KAD3RXD1 and EDR3RXD1R

System tested and certified by NSF International against NSF/ANSI Standard 42, 53, 401, and CSA B483.1 for the reduction of contaminants specified on the Performance Data Sheet.

This system has been tested according to NSF/ANSI Standards 42, 53, 401, and CSA B483.1 for the reduction of the substances listed below. The concentration of the indicated substances in water entering the system was reduced to a concentration less than or equal to the permissible limit for water leaving the system, as specified in NSF/ANSI Standards 42, 53, 401, and CSA B483.1.

Substance Reduction Aesthetic Effects	Influent Challenge Concentration	Maximum Permissible Product Water Concentration	Average % Reduction
Chlorine Taste/Odor	2.0 mg/L ± 10%	50% reduction	97.4%
Particulate Class I*	At least 10,000 particles/mL	85% reduction	> 99.9%
Contaminant Reduction	Influent Challenge Concentration	Maximum Permissible Product Water Concentration	Average % Reduction
Lead: @ pH 6.5/@ pH 8.5	0.150 mg/L ± 10%	0.005 mg/L	> 99.7% / > 99.7%
Mercury: @ pH 6.5/@ pH 8.5	0.006 mg/L ± 10%	0.002 mg/L	> 96.6% / 96.7%
Asbestos	10 ⁷ to 10 ⁸ fibers/L ^{††}	99%	> 99.0%
Live Cysts [†]	50,000/L min.	99.95%	> 99.99%
Turbidity	11 NTU ± 10%	0.5 NTU	99.1%
Atrazine	0.009 mg/L ± 10%	0.003 mg/L	> 94.0%
Benzene	0.015 mg/L ± 10%	0.005 mg/L	> 96.9%
Carbofuran	0.080 mg/L ± 10%	0.040 mg/L	> 98.7%
Endrin	0.006 mg/L ± 10%	0.002 mg/L	> 96.8%
Ethylbenzene	2.100 mg/L ± 10%	0.700 mg/L	> 99.9%
Lindane	0.002 mg/L ± 10%	0.0002 mg/L	> 99.1%
MTBE	0.015 mg/L ± 10%	0.005 mg/L	93.2%
O-Dichlorobenzene	1.800 mg/L ± 10%	0.600 mg/L	> 99.9%
Tetrachloroethylene	0.015 mg/L ± 10%	0.005 mg/L	> 96.8%
Toxaphene	0.015 mg/L ± 10%	0.003 mg/L	> 93.3%
TTHM	0.045 mg/L ± 10%	0.080 mg/L	98.6%
VOC	0.300 mg/L ± 10%	0.015 mg/L	99.7%
Atenolol	200 ± 20%	30 ng/L	> 95.1%
Trimethoprim	140 ng/L ± 20%	20 ng/L	> 96.6%
Linuron	140 ng/L ± 20%	20 ng/L	> 96.7%
Estrone	140 ng/L ± 20%	20 ng/L	> 96.1%
Nonylphenol	1400 ng/L ± 20%	200 ng/L	> 95.8%
Meprobamate	400 ng/L ± 20%	60 ng/L	> 94.9%
Carbamazepine	1400 ng/L ± 20%	200 ng/L	> 98.6%
DEET	1400 ng/L ± 20%	200 ng/L	> 98.8%

Contaminant Reduction	Influent Challenge Concentration	Maximum Permissible Product Water Concentration	Average % Reduction
Metolachlor	1400 ng/L ± 20%	200 ng/L	> 98.7%
TCEP	5000 ng/L ± 20%	700 ng/L	> 98.0%
TCP	5000 ng/L ± 20%	700 ng/L	> 98.0%
Phenytoin	200 ng/L ± 20%	30 ng/L	> 93.8%
Ibuprofen	400 ng/L ± 20%	60 ng/L	> 93.9%
Naproxen	140 ng/L ± 20%	20 ng/L	> 95.8%
Bisphenol A	2000 ng/L ± 20%	300 ng/L	> 98.9%

Test Parameters: pH = 7.5 ± 0.5 unless otherwise noted. Flow = 0.5 GPM (1.89 LPM). Pressure = 60 psi (413.7 kPa). Temperature = 68°F to 71.6°F (20°C to 22°C). Rated service capacity = 200 gallons (757 liters).

The compounds certified under NSF 401 have been deemed as “emerging compounds/incidental contaminants.” Emerging compounds/incidental contaminants are those compounds that have been detected in drinking water supplies at trace levels. While occurring at only trace levels, these compounds can affect the public acceptance/perception of drinking water quality.

- For installation, operation, and maintenance instructions please refer to the Owner’s Manual.
- It is important that operational, maintenance, and filter replacement requirements be carried out for the product to perform as advertised. Property damage can occur if all instructions are not followed.
- The disposable cartridge must be changed at least every 6 months.
- Use replacement filter part #EDR3RXD1/EDR3RXD1B. 2025 suggested retail price of \$59.99 U.S.A./\$69.99 Canada. Prices are subject to change without notice.
- The filter monitor system measures the amount of water that passes through the filter and alerts you when it is time to replace the filter. To learn how to check the water filter status, see “Using the Controls” section page 9 or “Water Filtration System” section page 16 in the Owner’s Manual.
- After changing the water filter, flush the water system. See “Water System Preparation” section page 8 in the Owner’s Manual.
- These contaminants are not necessarily in your water supply. While testing was performed under standard laboratory conditions, actual performance may vary.
- The product is for cold water use only.
- The water system must be installed in compliance with state and local laws and regulations.
- Do not use with water that is microbiologically unsafe or of unknown quality without adequate disinfection before or after the system. Systems certified for cyst reduction may be used on disinfected waters that may contain filterable cysts. EPA Est. No. 082047-TWN-001.
- Refer to the “Warranty” section for the Manufacturer’s limited warranty, name and telephone number.

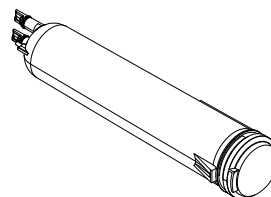
Application Guidelines/Water Supply Parameters

Water Supply	Potable City or Well
Water Pressure	30 psi-120 psi (207 kPa-827 kPa)
Water Temperature	33°F-100°F (0.6°C-37.8°C)
Service Flow Rate	0.5 GPM (1.89 LPM) @ 60 psi (413.7 kPa)

- Your water filtration system will withstand up to 120 pounds per square inch (psi) water pressure. If your water supply is higher than 80 psi, install a pressure reducing valve before installing the water filtration system.

Consumer Support **1.800.442.9991**
 By Whirlpool Corporation
 2000 North M63
 Benton Harbor, MI 49022
 Made in Taiwan.

*Class I particle size: > 0.5 um to 1 um
 †Based on the use of Cryptosporidium parvum oocysts
 ‡Fibers greater than 10 um in length
 ©NSF is a registered trademark of NSF International.



Sécurité du réfrigérateur

Votre sécurité et celle des autres sont très importantes.

Nous donnons de nombreux messages de sécurité importants dans ce manuel et sur votre appareil. Assurez-vous de toujours lire tous les messages de sécurité et de vous y conformer.



Voici le symbole d'alerte de sécurité.

Ce symbole d'alerte de sécurité vous signale les dangers potentiels de décès et de blessures graves.

Tous les messages de sécurité suivront le symbole d'alerte de sécurité et le mot « DANGER » ou « AVERTISSEMENT ». Ces mots signifient :

▲ DANGER

Risque possible de décès ou de blessure grave si vous ne suivez pas immédiatement les instructions.

▲ AVERTISSEMENT

Risque possible de décès ou de blessure grave si vous ne suivez pas les instructions.

Tous les messages de sécurité vous diront quel est le danger potentiel, comment réduire le risque de blessure et ce qui peut se produire en cas de non-respect des instructions.

IMPORTANTES INSTRUCTIONS DE SÉCURITÉ

AVERTISSEMENT : Afin de réduire le risque d'incendie, de décharge électrique ou de blessures lors de l'utilisation de l'appareil, il convient d'observer certaines précautions fondamentales, notamment :

- Les enfants doivent être surveillés afin de s'assurer qu'ils ne jouent pas avec l'appareil.
- Cet appareil ne convient pas à une utilisation par des personnes (y compris des enfants) à capacités physiques, sensorielles ou mentales réduites, ou possédant un manque d'expérience et de connaissances, à moins qu'elles ne soient placées sous supervision ou qu'elles aient reçu des instructions concernant l'utilisation de l'appareil par une personne responsable de leur sécurité.
- Ne pas utiliser de câble de rallonge.
- Si le cordon d'alimentation est endommagé, il doit être remplacé par le fabricant, son agent de réparation ou toute autre personne qualifiée afin d'éviter tout danger.
- Brancher sur une alimentation en eau potable uniquement.
- Cet appareil est destiné à un usage domestique et à d'autres usages similaires comme : coins cuisine réservés au personnel des boutiques, des bureaux et d'autres environnements professionnels; maisons d'hôtes, ainsi que par les clients d'hôtel, de motels et d'autres installations d'hébergement; gîtes touristiques; et banquets et autres utilisations non commerciales semblables.
- Ne pas entreposer de substances explosives comme des aérosols avec agent propulseur inflammable dans cet appareil.
- Utiliser le nouvel ensemble de tuyaux fournis avec l'appareil, ne pas réutiliser les anciens tuyaux.
- Ne pas utiliser de pièces de remplacement qui n'ont pas été recommandées par le fabricant (c.-à-d., pièces fabriquées à la maison à l'aide d'une imprimante 3D).
- Garder les événements à l'intérieur de l'enceinte de l'appareil ou de la structure encastrée exempte d'obstacles.
- Ne pas utiliser des appareils mécaniques ou autres moyens pour accélérer le processus de dégivrage, autre que ceux recommandés par le fabricant.
- Ne pas endommager le circuit réfrigérant.
- Ne pas utiliser des appareils électriques à l'intérieur des compartiments d'aliments de l'appareil, à moins qu'ils soient de type recommandé par le fabricant.
- L'ensemble pour machine à glaçons peut être ajouté à certains modèles. Consulter la plaque signalétique située à l'intérieur du compartiment pour les aliments de l'appareil pour obtenir les informations concernant le modèle d'ensemble pour machine à glaçons.
- L'installation de la conduite d'eau et de la machine à glaçons doit être effectuée par un technicien de service qualifié. Consulter les instructions d'installation fournies avec l'ensemble pour machine à glaçons pour tous les détails.
- Ne pas installer un parasurtenseur ou un bloc d'alimentation portatif derrière l'appareil.
- Cet appareil peut être utilisé à une altitude maximale de 2 000 m (6 561,7 pi) par rapport au niveau de la mer.
- Lors du positionnement de l'appareil, s'assurer que le cordon d'alimentation n'est pas coincé ou endommagé.
- Ne pas installer un parasurtenseur ou un bloc d'alimentation portatif derrière l'appareil.
- Pour éviter un danger provoqué par l'instabilité de l'appareil, ce dernier doit être fixé selon les directives fournies dans les instructions d'installation.

CONSERVER CES INSTRUCTIONS

Mise au rebut du vieux réfrigérateur

AVERTISSEMENT



Risque de basculement

La partie du haut du réfrigérateur est très lourde, ce qui peut le faire basculer facilement lorsqu'il n'est pas complètement installé.

Garder les portes fermées avec du ruban jusqu'à la fin de l'installation du réfrigérateur.

Utiliser au moins deux personnes pour déplacer et installer le réfrigérateur.

Ne pas respecter cette instruction peut causer un décès ou une blessure grave.

AVERTISSEMENT : Un enfant peut rester piégé. Avant de jeter votre vieux réfrigérateur ou congélateur :

- Enlever les portes.
- Laisser les tablettes en place de sorte que les enfants ne puissent pas y pénétrer facilement.

AVERTISSEMENT

Risque de suffoquer

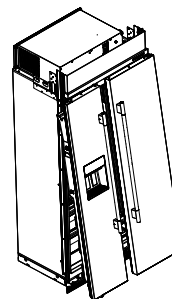
Enlever les portes ou le couvercle de votre vieil appareil.

Le non-respect de cette instruction peut causer un décès ou des lésions cérébrales.

IMPORTANT : Le risque qu'un enfant puisse se retrouver coincé et suffoquer n'est pas chose du passé. Les réfrigérateurs jetés ou abandonnés restent dangereux, même s'ils ne restent à l'extérieur que pour « quelques jours seulement ». Si l'ancien réfrigérateur doit être mis au rebut, suivre les instructions suivantes afin d'éviter les accidents.

Informations importantes à connaître pour l'élimination du liquide réfrigérant :

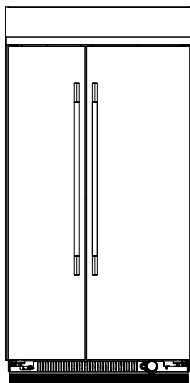
Jeter le réfrigérateur conformément aux règlements fédéraux et locaux. Les liquides réfrigérants doivent être évacués par un technicien en réfrigération accrédité EPA, conformément aux procédures établies.



MISE EN PLACE

Modèles

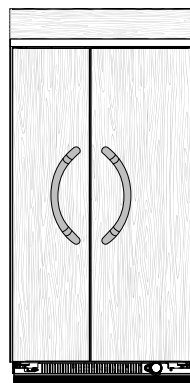
Réfrigérateurs côte à côte sans distributeur



Série Stainless

Cette série procure un réfrigérateur encastré d'apparence commerciale.

KBSN742SPS; KBSN742SJP; KBSN742SBE; KBSN748SPS;
KBSN748SJP; KBSN748SBE

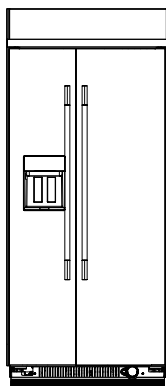


Série Overlay

Se caractérise par des garnitures d'origine de style décoratif procurant un aspect « sans cadre ». Cette série nécessite l'installation de panneaux, poignées et supports personnalisés.

KBSN742TPA; KBSN748TPA

Réfrigérateurs côte à côte avec distributeur

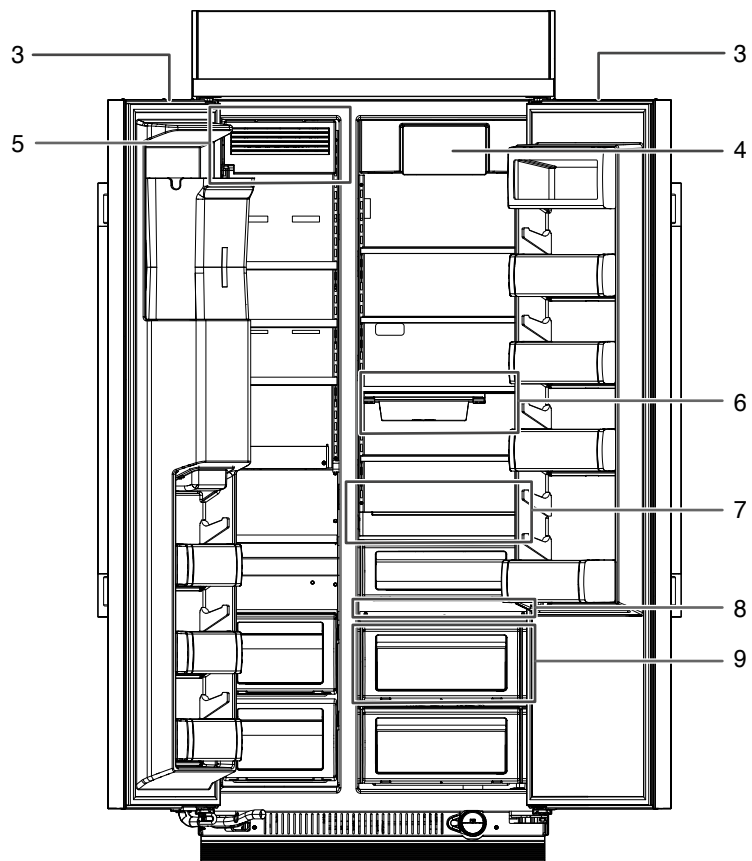
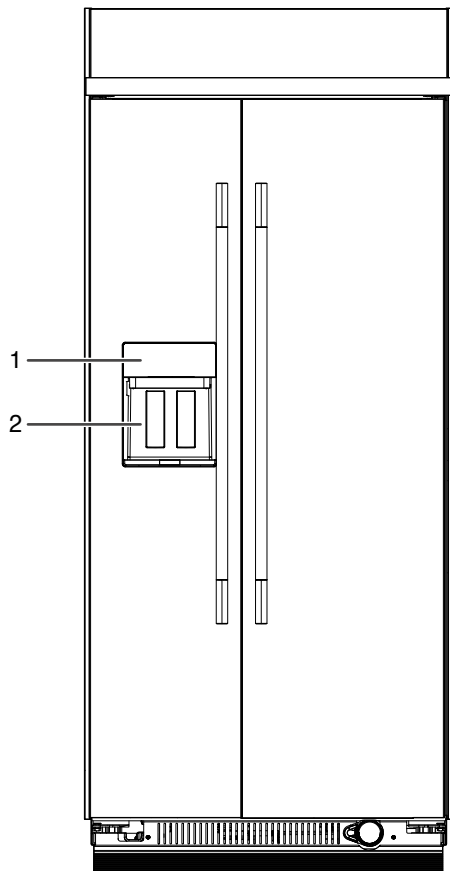


Série Stainless

Cette série procure un réfrigérateur encastré d'apparence commerciale.

KBSD736SPS; KBSD742SPS; KBSD748SPS

Connaître votre produit



1. Interface utilisateur (modèles avec distribution)
2. Distributeur d'eau et de glaçons extérieur avec Measured Fill (Remplissage mesuré) (seulement sur les modèles à distribution)
3. Portes à fermeture douce
4. Filtre à odeur (filtre à air FreshFlow™)
5. Machine à glaçons automatique (modèles sans distribution)
6. Zone de préparation sous la tablette
7. Plateau de rangement coulissant en bois
8. Interface utilisateur (modèles sans distribution)
9. Tiroir à contrôle de température FreshChill™

Retrait des matériaux d'emballage

- Avant de mettre le réfrigérateur en marche, enlever tout résidu de ruban adhésif et de colle. Au besoin, utiliser une petite quantité de liquide vaisselle et d'eau chaude pour éliminer les résidus.
- Ne pas utiliser d'outils tranchants, d'alcool à friction, de liquides inflammables ou de nettoyants abrasifs.
- Mettre aux rebuts ou recycler tous les matériaux d'emballage. Voir la section « Sécurité du réfrigérateur » pour obtenir plus d'informations.

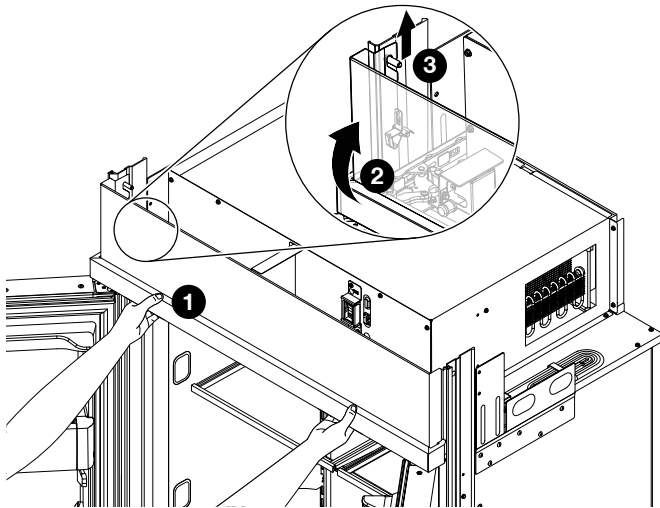
Nettoyage avant utilisation

Nettoyer l'intérieur du réfrigérateur avant de l'utiliser. Consulter la section « Entretien et nettoyage » pour obtenir les instructions de nettoyage.

Marche/arrêt de l'alimentation

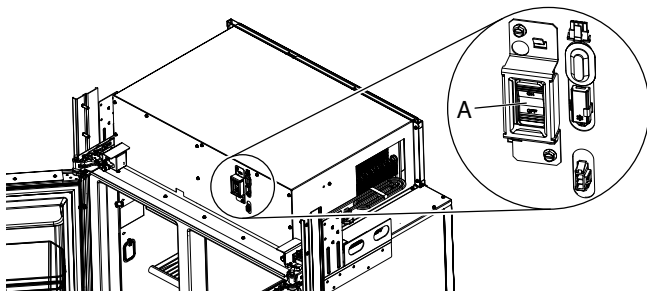
Pour mettre le réfrigérateur sous tension ou hors tension, il faut retirer la grille supérieure afin d'accéder à l'interrupteur. Mettre le réfrigérateur hors tension avant de le nettoyer.

1. Ouvrir les portes du réfrigérateur.
2. Placer les mains sous le panneau de la grille supérieure. Tenir le bord inférieur avec les doigts et les pouces.
3. Tirer le panneau de la grille tout droit jusqu'à la position de butée de la grille. Soulever ensuite le panneau de la grille pour le retirer.



4. Mettre l'interrupteur d'alimentation à la position ON (MARCHE) ou OFF (ARRÊT).

REMARQUE : Lorsque le réfrigérateur est éteint pendant une période prolongée, retirer les aliments et vider le bac à glace.



A. Interrupteur d'alimentation

Pour réinstaller la grille supérieure :

1. Insérer les crochets de la grille supérieure (situés à l'arrière de la grille supérieure) dans les boulons de montage de la garniture latérale.
2. Tirer légèrement la grille vers le bas et pousser la partie inférieure vers l'intérieur pour la bloquer en place.

IMPORTANT : S'assurer que l'interrupteur d'alimentation est sur ON (MARCHE) après avoir nettoyé ou réparé le réfrigérateur.

Spécifications de l'alimentation en eau

Lire toutes les instructions avant de commencer.

IMPORTANT :

- Lire la section « Raccordement à la canalisation d'eau » dans les instructions d'installation. Pour toute question, voir à la section « Dépannage » ou contacter un plombier certifié.
- Si le réfrigérateur est mis en marche avant d'avoir été raccordé à la conduite d'eau, la machine à glaçons s'éteint. Voir la section « Machine à glaçons et bac d'entreposage ».
- Toutes les installations doivent être conformes aux exigences des codes locaux de plomberie.
- Raccorder à la canalisation d'arrivée d'eau potable uniquement.

Ne pas utiliser ce produit pour filtrer une eau microbiologiquement polluée ou de qualité inconnue en l'absence d'un dispositif de désinfection adéquat en amont ou en aval du système. Les systèmes certifiés pour la réduction des kystes peuvent être utilisés pour une eau désinfectée susceptible de contenir des kystes filtrables.

- Lors de l'utilisation de la machine à glaçons ou du distributeur d'eau, un bruit de claquement peut se produire en raison de changements rapides de la pression de l'eau dans les tuyaux de votre maison. Pour remédier à ce problème, il convient d'installer un dispositif antibélier à l'endroit où la conduite d'eau du réfrigérateur se raccorde à l'alimentation en eau de la maison. Ce dispositif absorbe les chocs de pression et arrête les coups. Pour effectuer une bonne installation de l'antibélier, contacter un plombier certifié.

Pression d'eau

Une alimentation en eau froide avec une pression entre 30 lb/po² et 120 lb/po² (207 kPa et 827 kPa) est nécessaire pour faire fonctionner le distributeur d'eau et la machine à glaçons. Pour toute question au sujet de la pression de l'eau, faire appel à un plombier qualifié agréé.

REMARQUE : Si la pression en eau est inférieure aux critères minimaux, le débit du distributeur d'eau pourrait diminuer ou entraîner la formation de glaçons creux ou de forme irrégulière. Pour toute question au sujet de la pression de l'eau, faire appel à un plombier qualifié agréé.

Alimentation en eau par osmose inverse

IMPORTANT : La pression de l'alimentation en eau entre le système d'osmose inverse et le robinet d'arrivée d'eau du réfrigérateur doit être entre 30 lb/po² et 120 lb/po² (207 kPa à 827 kPa).

Si un système de filtration de l'eau par osmose inverse est raccordé à votre alimentation en eau froide de la, la pression de l'eau au système doit être d'un minimum de 40 lb/po² à 60 lb/po² (276 kPa à 414 kPa).

Si la pression d'eau au système de filtration par osmose inverse est inférieure à 40 lb/po² à 60 lb/po² (276 kPa à 414 kPa) :

- Vérifier que le filtre à sédiment dans le système à osmose inverse n'est pas obstrué. Remplacer le filtre si nécessaire.
- Laisser le réservoir du système d'osmose inverse se remplir après une utilisation intense.
- Si le réfrigérateur comporte un filtre à eau, celui-ci peut réduire la pression de l'eau lorsqu'il est utilisé avec un système d'osmose inverse. Enlever la cartouche de filtre à eau.

Pour toute question au sujet de la pression de l'eau, faire appel à un plombier qualifié agréé.

Préparation du circuit d'eau

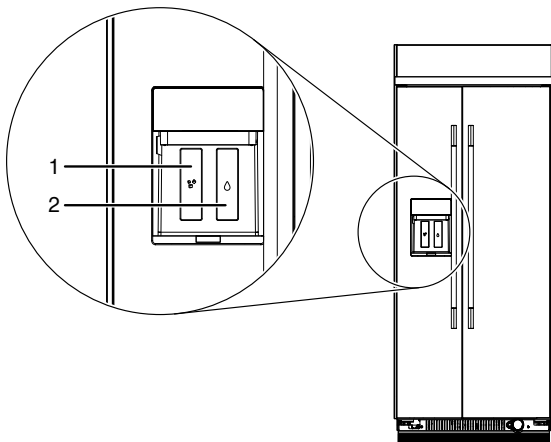
Veillez lire avant d'utiliser le circuit d'eau. Suivre les instructions relatives au modèle de réfrigérateur utilisé.

- Brancher sur une alimentation en eau potable uniquement.
- S'assurer que le robinet d'eau est ouvert avant d'appeler le service d'assistance.
- Ne pas utiliser ce produit pour filtrer une eau microbiologiquement polluée ou de qualité inconnue en l'absence d'un dispositif de désinfection adéquat en amont ou en aval du système. Les systèmes certifiés pour la réduction des kystes peuvent être utilisés pour une eau désinfectée susceptible de contenir des kystes filtrables.

REMARQUE :

- Après avoir installé/remplacé le filtre à eau, attendre 24 h pour la première production de glace.
- Jeter le premier bac de glaçons produit.
- Le bac à glaçons se remplira complètement au bout de 3 jours environ, en fonction de la glace et de l'utilisation du congélateur.
- S'assurer que le filtre à la grille de la base est bien installé et que la capsule est à la position horizontale.

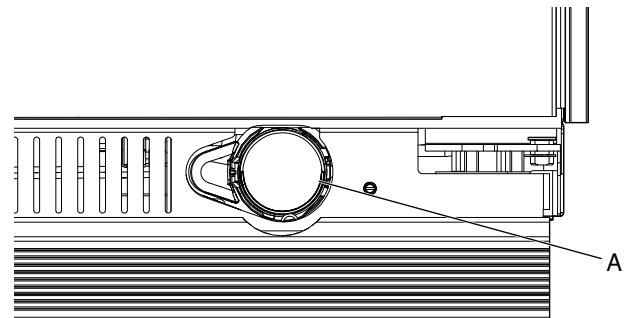
Style 1 (modèles avec distributeur)



- A. Distributeur de glace
- B. Distributeur d'eau

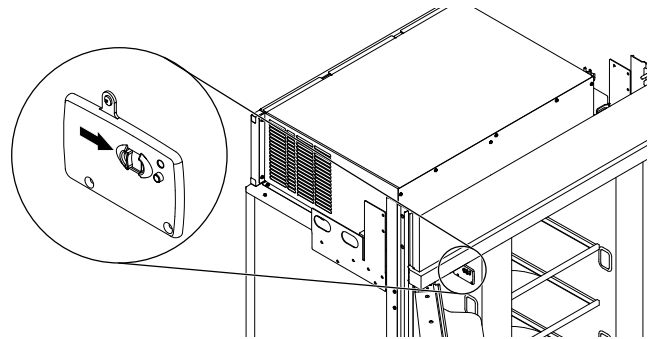
IMPORTANT : Après avoir raccordé le réfrigérateur à l'alimentation en eau ou avoir remplacé le filtre à eau, suivre les étapes ci-dessous pour s'assurer que le circuit d'eau est correctement nettoyé. Ceci évacue l'air du filtre et du système de distribution d'eau et rend le filtre à eau opérationnel.

REMARQUE : Si votre modèle est muni d'un système de filtre à la grille de la base, s'assurer que le filtre à la grille de la base est bien installé et que la capsule est à la position horizontale.



- A. Filtre à eau

1. Ouvrir la porte du congélateur et éteindre la machine à glaçons. Le commutateur ON/OFF (MARCHE/ARRÊT) se trouve dans la partie supérieure droite du compartiment de congélation. Tourner le commutateur au réglage OFF (à droite) comme illustré.

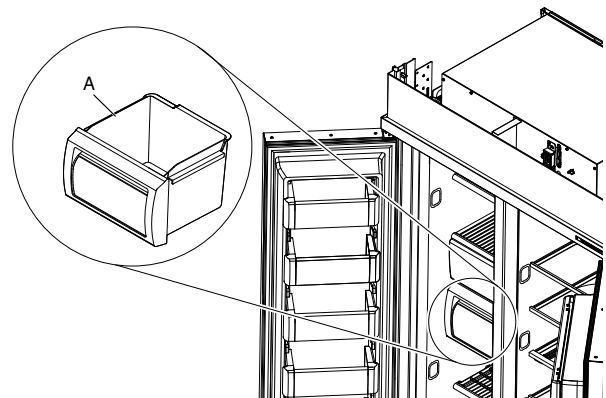


2. Utiliser un récipient robuste pour appuyer sur le levier du distributeur d'eau pendant 5 secondes, puis relâcher le levier pendant 5 secondes. Répéter l'opération jusqu'à ce que l'eau commence à couler. Une fois que l'eau commence à couler, continuer d'appuyer et de relâcher la plaque du distributeur (appui pendant 5 secondes, relâchement pendant 5 secondes) jusqu'à ce qu'un total de 3 gallons (12 L) ait été distribué. Ceci évacue l'air du filtre et du système de distribution d'eau et rend le filtre à eau opérationnel. Un amorçage supplémentaire peut s'avérer nécessaire dans certains domiciles.

REMARQUE : Pendant l'évacuation de l'air du système, de l'eau peut gicler du distributeur.

3. Ouvrir la porte du congélateur et mettre en marche la machine à glaçons. Mettre le commutateur à la position ON (marche) (vers la gauche).

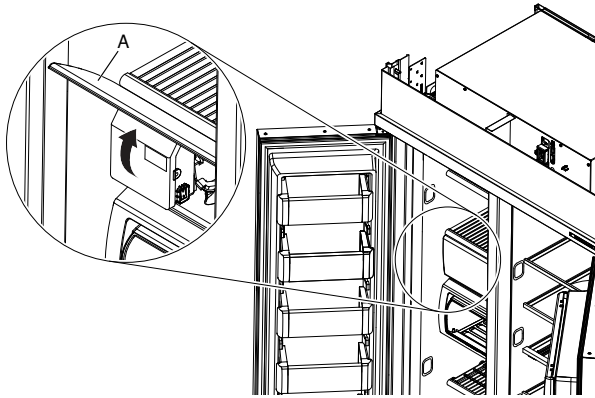
Style 2 (modèles sans distributeur)



- A. Tiroir à glaçons

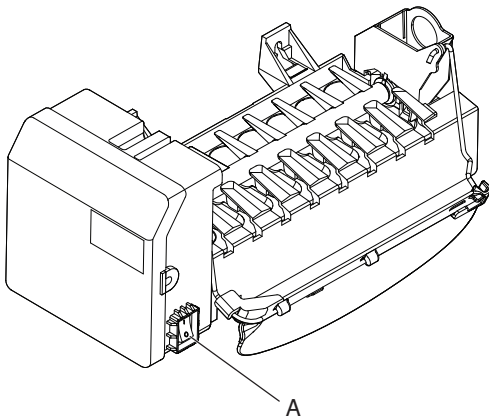
Pour activer ou désactiver la machine à glaçons :

1. Relever le couvercle de la machine à glaçons.



A. Couvercle de la machine à glaçons

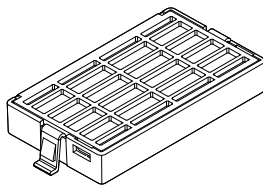
2. utilisant le commutateur pour activer ou désactiver la machine à glaçons.



A. Interrupteur de la machine à glaçons

Filtre à odeur (filtre à air FreshFlow™)

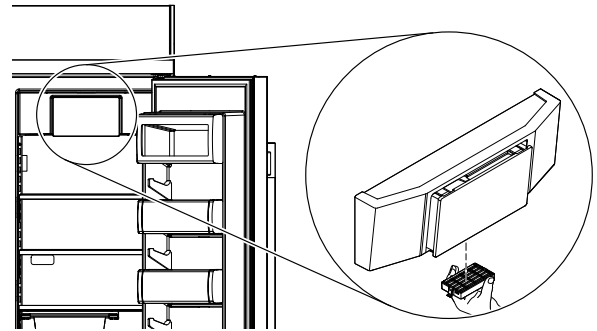
Le sachet d'accessoires du réfrigérateur comprend un filtre à air FreshFlow™ qui doit être installé avant d'utiliser le réfrigérateur. Voir les instructions d'installation pour obtenir plus de renseignements.



Ce filtre à odeurs réduit l'accumulation d'odeurs. Ceci aide à maintenir un environnement plus propre à l'intérieur du réfrigérateur.

Installation du filtre à odeurs

Le filtre à odeurs doit être installé derrière la porte à aérations, située (selon le modèle) le long de la paroi intérieure gauche ou arrière, à proximité du sommet du compartiment de réfrigération.



1. Retirer le filtre à odeurs de son emballage.
2. Le mettre en place.

Remplacement du filtre à odeurs

Le filtre à odeurs jetable doit être remplacé tous les 6 mois, lorsque le témoin est entièrement passé du blanc au rouge.

Pour remplacer le filtre à odeurs, commander la pièce de rechange **W10311524** en ligne.

- Retirer l'ancien filtre à odeurs en serrant les onglets latéraux.
- Installer le filtre à odeurs et le témoin neufs à l'aide des instructions des sections précédentes.

UTILISATION DU RÉFRIGÉRATEUR

Utilisation des commandes

⚠ AVERTISSEMENT



Risque de décharge électrique

Brancher l'appareil sur une prise à 3 alvéoles reliée à la terre.

Ne pas enlever la prise de liaison à la terre.

Ne pas utiliser d'adaptateur.

Ne pas utiliser de rallonge.

Le non-respect de ces instructions peut causer un décès, un incendie ou une décharge électrique.

⚠ AVERTISSEMENT



Risque d'explosion

Garder les matières et les vapeurs inflammables, telles que l'essence, à l'écart de l'appareil.

Utiliser un produit de nettoyage ininflammable.

Le non-respect de ces instructions peut causer un décès, une explosion ou un incendie.

Visualisation et modification des points de réglage de température

Réglage de la température du compartiment des aliments frais et du congélateur :

À titre de commodité, les commandes du réfrigérateur et du congélateur sont pré-réglées à l'usine.

Lors de l'installation initiale du réfrigérateur, s'assurer que les commandes sont encore pré-réglées aux points de réglage recommandés. Les points de réglage recommandés par l'usine sont 37 °F (3 °C) pour le réfrigérateur et 0 °F (-18 °C) pour le congélateur.

Appuyer sur le bouton de température du réfrigérateur ou du congélateur pour commuter entre les points de réglage de température en Fahrenheit (°F).

IMPORTANT :

- Attendre 24 heures avant d'ajouter des aliments dans le réfrigérateur. Si on ajoute des aliments avant que le réfrigérateur ne soit complètement refroidi, les aliments risquent de se gaspiller.

REMARQUE : Placer les points de réglage à un réglage plus froid que celui qui est recommandé ne refroidira pas les compartiments plus rapidement.

- Si la température est trop tiède ou trop froide dans le réfrigérateur ou le congélateur, vérifier d'abord les événements pour s'assurer qu'ils ne sont pas bloqués, avant de modifier le réglage des commandes.

- Les réglages recommandés devraient être bons pour une utilisation domestique normale. Les réglages sont faits correctement lorsque le lait ou le jus sont aussi froids que désiré et lorsque la crème glacée est ferme.

REMARQUE : Dans des zones comme un garage, un sous-sol ou un porche, la température peut être extrême ou le taux d'humidité supérieur à celui de votre domicile. Il peut s'avérer nécessaire de modifier la température à d'autres réglages que les réglages recommandés afin de s'adapter à ces conditions.

- Attendre au moins 24 heures entre chaque modification. Vérifier à nouveau les températures avant de procéder à d'autres modifications.

REMARQUE : Pour basculer entre les réglages de température Celsius et Fahrenheit, maintenir enfoncé les boutons « Max Freeze » (Congélation maximale) et « Max Cool » (Refroidissement maximal), l'affichage changera après 3 secondes.

REMARQUE : Pour alterner entre les litres et les onces, toucher et maintenir la touche « Max Freeze » (Congélation maximale) pendant 3 secondes et l'affichage de l'unité de mesure changera.

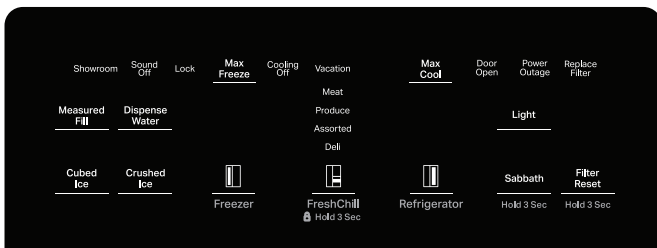
Style 1 (modèles avec distributeur)

Les commandes tactiles sont situées sur la porte gauche du réfrigérateur, au-dessus du distributeur externe. Le tableau de commande comprend des renseignements sur les différents boutons et témoins. Le témoin de température du réfrigérateur et du congélateur indique les derniers points de consigne de température.

Lorsque les commandes ne sont pas utilisées, seules quelques options de l'interface utilisateur sont visibles :



Lors de l'interaction avec l'interface utilisateur ou de l'utilisation du distributeur, certaines des commandes et certains des témoins suivants s'affichent :



Marche/arrêt du refroidissement

Ni le réfrigérateur ni le congélateur ne refroidiront lorsque le refroidissement est désactivé.

Mise sous tension

- Appuyer simultanément et sans relâcher sur les boutons Max Freeze (Congélation maximale) et Max Cool (Refroidissement maximal) pendant 3 secondes.

L'icône Cooling Off (Arrêt du refroidissement) clignote deux fois et reste allumée.

Température

Réglage de la température °F/°C préréglé en °F

- Pour passer des degrés Celsius aux degrés Fahrenheit, appuyer simultanément sur les boutons Max Cool (Refroidissement maximal) et FreshChill (Rafrâichissement) pendant 3 secondes.

Lorsqu'elle est activée, l'option de température sélectionnée s'affiche. Lorsqu'elle est désactivée, la DEL est éteinte.

Réglage de la température

Les instructions suivantes s'appliquent au bouton de température du réfrigérateur et au bouton de température du congélateur.

Appuyer une fois sur le bouton de température du congélateur ou du réfrigérateur pour réduire la température (1 °C, 2 °F).

Une fois que le réglage de température atteint la température la plus basse autorisée pour ce compartiment, appuyer de nouveau sur le bouton change le réglage à la température la plus élevée permise pour cette zone (boucle).

La température du réfrigérateur peut aller de 1 °C à 6 °C (33 °F à 43 °F), le réglage par défaut défini en usine est de 3 °C (37 °F).

La température du congélateur peut aller de -8 °F à 5 °F (-22 °C à -15 °C), le réglage par défaut défini en usine est de 0 °F (-18 °C).

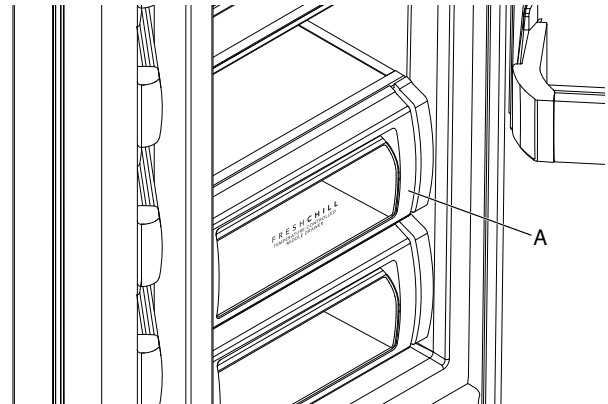
CONDITION/RAISON	RÉGLAGE DE LA TEMPÉRATURE
RÉFRIGÉRATEUR trop froid	RÉFRIGÉRATEUR commande 1 °C ou 2 °F plus élevé
RÉFRIGÉRATEUR trop tiède	RÉFRIGÉRATEUR commande 1 °C ou 2 °F plus bas
CONGÉLATEUR trop froid	CONGÉLATEUR commande 1 °C ou 2 °F plus élevé
CONGÉLATEUR trop tiède/ trop peu de glaçons	CONGÉLATEUR commande 1 °C ou 2 °F plus bas

Tiroir à contrôle de température FreshChill™

Menu FreshChill (Rafrâichissement)

Il y a 4 températures préréglées pour le menu FreshChill (Rafrâichissement). Appuyer sur le bouton du menu FreshChill (Rafrâichissement) pour sélectionner les options désirées. Du plus froid au plus chaud – Viandes, charcuteries, assortiment, fruits et légumes.

- Le réglage MEAT (VIANDE) est le plus froid et peut être utilisé pour décongeler des produits qui doivent être décongelés dans le réfrigérateur.
- Le réglage PRODUCE (FRUITS ET LÉGUMES) est le réglage le plus chaud et est utilisé pour les légumes et les fruits de tous les jours.
- Le réglage ASSORTED (ASSORTIMENT) est utilisé pour conserver différents articles dans le même tiroir.
- Le réglage DELI (CHARCUTERIES) est utilisé pour les charcuteries et les fromages ou les produits non frais.



A. Tiroir FreshChill (Rafrâichissement)

Témoin et réinitialisation du filtre à eau

Le témoin lumineux du filtre à eau, situé sur le panneau de commande, vous aidera à savoir quand changer le filtre à eau.

État de remplacement :

- Lorsque le témoin du filtre à eau sur le tableau de commande interne s'affiche, ceci indique qu'il est presque temps de changer la cartouche du filtre à eau. Remplacer la cartouche de filtre à eau.

État de remplacement en retard :

- Lorsque le témoin du filtre à eau sur le tableau de commande devient rouge, ceci indique qu'il est temps de changer la cartouche du filtre à eau.
- Il est recommandé de remplacer le filtre lorsque le témoin lumineux de l'état du filtre passe au rouge ou lorsque le débit d'eau au distributeur ou à la machine à glaçons diminue de façon marquée.

REMARQUE : Si le débit d'eau au distributeur d'eau ou à la machine à glaçons diminue de façon marquée, remplacer le filtre plus tôt. Le filtre doit être remplacé au moins tous les 6 mois selon la qualité de l'eau et l'utilisation.

Pendant la distribution d'eau une fois que l'icône Replace Filter (Remplacement du filtre) est activée, cette dernière clignotera pendant la durée de la distribution. Cette situation s'applique pour l'état de remplacement du filtre et l'état de remplacement en retard. Quatorze jours après l'activation du témoin Replace Filter (Remplacement du filtre), le témoin passe en mode « Replace Overdue » (Remplacement en retard).

Réinitialiser l'état du filtre

Après avoir remplacé le filtre, appuyer sur le bouton Filter Reset (Réinitialisation du filtre) pendant 3 secondes. Le bouton ne s'affiche plus après la réinitialisation.

Consulter la section « Système de filtration de l'eau » pour connaître les étapes de retrait et de remplacement du filtre.

Max Cool/Max Freeze (Refroidissement maximal/Congélation maximale)

Max Cool (Refroidissement maximal)

La caractéristique Max Cool (Refroidissement maximal) est utile lors de périodes d'utilisation intense du réfrigérateur, de l'ajout d'une grande quantité d'aliments ou de l'élévation temporaire de la température de la pièce.

- Appuyer sur la touche Max Cool (Refroidissement maximal) pour placer le congélateur et le réfrigérateur aux réglages de température les plus bas.

Appuyer de nouveau sur Max Cool (Refroidissement maximal) pour retourner au réglage normal de réfrigérateur.

REMARQUE : La caractéristique Max Cool (Refroidissement maximal) s'éteint automatiquement au bout d'environ 12 heures.

Max Freeze (Congélation maximale)

La fonction Max Freeze (Congélation maximale) augmente la production de glaçons, ce qui est utile en période d'utilisation intense de glaçons.

- Appuyer sur la touche Max Freeze (Congélation maximale) pour régler le congélateur au réglage de température le plus bas.

Appuyer à nouveau sur la touche Max Freeze (Congélation maximale) pour revenir au point de réglage normal du congélateur.

- Lorsque la caractéristique Max Freeze (Congélation maximale) est activée, modifier la température du réfrigérateur désactive cette caractéristique.

REMARQUE : La caractéristique Max Freeze (Congélation maximale) s'éteint automatiquement au bout d'environ 48 heures.

- La modification de la température du réfrigérateur ou l'activation du mode Vacation (Vacances) désactivera la fonction Max Cool/Max Freeze (Refroidissement maximal/congélation maximale).

Measured Fill (Remplissage mesuré)

- **Pour calibrer,** voir à la section « Calibration du remplissage mesuré pour obtenir plus de détails.
- Appuyer sur Measured fill (Remplissage mesuré) fait passer d'un volume prédéfini à un autre.
- **Pour la distribution avec le bouton :** Appuyer sur le bouton de distribution pour l'activer. Appuyer de nouveau sur le bouton de distribution arrêtera le remplissage mesuré.
- **Pour la distribution avec la plaque de distribution :** Appuyer sans relâcher sur la plaque de distribution d'eau. Relâcher la palette de distribution d'eau arrêtera le remplissage mesuré.

Fonctions d'alarme

Door Open (Ouverture de la porte)

La caractéristique d'alarme de porte entrouverte fait retentir un signal d'alarme lorsque la porte du réfrigérateur ou du congélateur est ouverte pendant 5 minutes et que le système de refroidissement fonctionne. L'alarme retentit toutes les 2 minutes. Fermer les deux portes pour l'arrêter. La caractéristique se réinitialise et se réactive ensuite si l'une des portes est de nouveau laissée ouverte pendant 5 minutes.

Power Outage (Panne de courant)

Le témoin Power Outage (Panne de courant) indique à l'utilisateur si l'alimentation électrique du réfrigérateur a été interrompue et que la température du congélateur a atteint 18 °F (-8 °C) ou plus. Lorsque l'alimentation électrique est rétablie, le bouton clignote plusieurs fois et l'icône rouge Power Outage (Panne de courant) apparaît. Lorsque le témoin est allumé, toutes les autres commandes et fonctions du distributeur sont désactivées jusqu'à ce que l'utilisateur confirme qu'il a bien remarqué la panne de courant.

- Appuyer sur un bouton pour ramener l'écran à son affichage normal.

Divers

Cubed Ice (Glaçons) ou Crushed Ice (Glace concassée)

Appuyer sur Cubed (Glaçons) ou Crushed Ice (Glace concassée) pour la sélection de glaçons.

REMARQUE :

- Pour de la glace concassée, les glaçons sont concassés avant d'être distribués. Cette action peut causer un court délai lors de la distribution de glace concassée. Le bruit du broyeur de glaçons est normal et la dimension des morceaux de glace peut varier.
- Lorsqu'on passe du mode glace concassée au mode glaçons, quelques onces de glace concassée sont distribuées avec les premiers glaçons.

Sound Off (Sons désactivés) :

Maintenir enfoncés les boutons Max Cool (Refroidissement maximal) et Refrigerator (Réfrigérateur) pendant 3 secondes pour activer et désactiver les sons d'alarmes.

Verrouillage des commandes

Maintenir le bouton FreshChill (Rafraîchissement) enfoncé pour activer la fonction de verrouillage des commandes.

Lorsque le verrouillage des commandes est activé :

- Les autres fonctions ne sont pas accessibles.
- Appuyer sur un bouton fera résonner une tonalité de touche invalide 3 fois et clignoter le témoin de verrouillage 3 fois.
- Les palettes à eau/glaçons ne sont pas disponibles, appuyer sur les palettes fera résonner une tonalité de palette invalide 3 fois.

Showroom Mode (Mode d'exposition)

Le mode de démonstration est conçu pour le plancher de vente. Maintenir les boutons Refrigerator (Réfrigérateur) et Freezer (Congélateur) enfoncés pendant 5 secondes, le témoin Showroom Mode (Mode d'exposition) clignotera deux fois et restera activé/désactivé.

Lumière de distributeur

Lorsqu'on utilise le distributeur, l'éclairage s'allume automatiquement. Si l'on souhaite que la lumière reste allumée en permanence, on peut l'allumer.

Appuyer une autre fois sur le bouton Light (Éclairage) pour éteindre la lampe du distributeur.

Style 2 (modèles sans distributeur)

Les commandes de l'interface utilisateur (IU) sont situées au-dessus du tiroir FreshChill (Rafraîchissement).



Température

Réglage de la température °F/°C pré-réglé en °F

- Appuyer sur le bouton °F – °C pour passer entre Celsius et Fahrenheit.

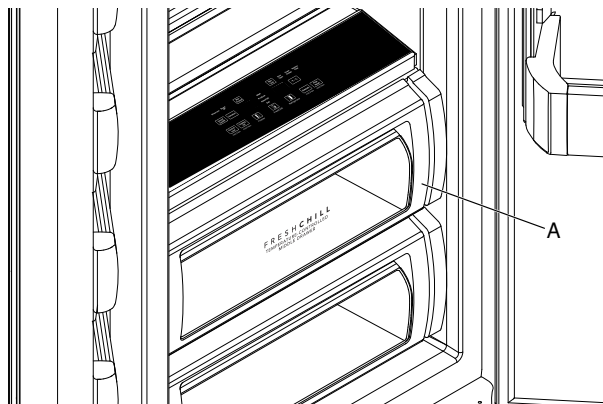
Lorsqu'elle est activée, l'option de température sélectionnée s'affiche. Lorsqu'elle est désactivée, la DEL est éteinte.

Tiroir à contrôle de température FreshChill™

Menu FreshChill (Rafraîchissement)

Il y a 4 températures pré-réglées pour le menu FreshChill (Rafraîchissement). Appuyer sur le bouton du menu FreshChill (Rafraîchissement) pour sélectionner les options désirées. Du plus froid au plus chaud – Viandes, charcuteries, assortiment, fruits et légumes.

- Le réglage MEAT (VIANDE) est le plus froid et peut être utilisé pour décongeler des produits qui doivent être décongelés dans le réfrigérateur.
- Le réglage PRODUCE (FRUITS ET LÉGUMES) est le réglage le plus chaud et est utilisé pour les légumes et les fruits de tous les jours.
- Le réglage ASSORTED (ASSORTIMENT) est utilisé pour conserver différents articles dans le même tiroir.
- Le réglage DELI (CHARCUTERIES) est utilisé pour les charcuteries et les fromages ou les produits non frais.



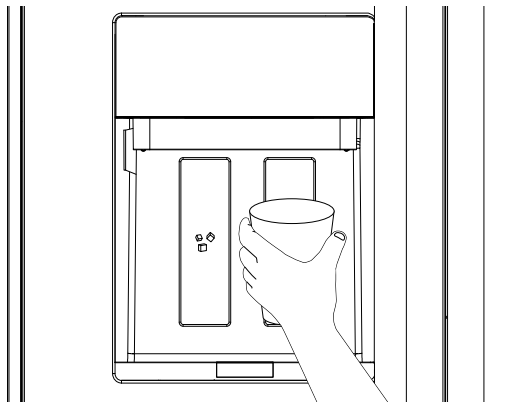
A. Tiroir FreshChill (Rafraîchissement)

Distributeurs d'eau et de glaçons

Distributeur d'eau

Distribution d'eau :

1. Appuyer un verre résistant contre la plaque du distributeur d'eau.



REMARQUE :

- L'eau n'est distribuée que lorsque la porte de gauche est fermée et s'arrêtera à l'ouverture de la porte.
- Il n'est PAS possible de distribuer de l'eau et des glaçons en même temps. La plaque sur laquelle on appuie en premier effectue la distribution.

2. Retirer le verre pour arrêter la distribution.

REMARQUE : L'eau peut avoir un mauvais goût si vous n'utilisez pas régulièrement le distributeur. Distribuer une quantité suffisante d'eau chaque semaine pour maintenir un approvisionnement frais.

Distributeur de glace

Les glaçons tombent du bac d'entreposage de la machine à glaçons dans le congélateur lorsqu'on appuie sur la plaque du distributeur. Le système de distribution ne fonctionne pas lorsque la porte du congélateur est ouverte. Pour éteindre la machine à glaçons, voir la section « Machine à glaçons et bac d'entreposage ».

La machine à glaçons peut produire à la fois de la glace concassée et des glaçons. L'écran affiche « CRUSHED » (CONCASSÉE) ou « CUBED » (GLAÇONS) et indique le type de glace sélectionné. Pour modifier le réglage, appuyer sur le bouton ICE (GLAÇONS) avant la distribution de glace.

Pour de la glace concassée, les glaçons sont concassés avant d'être distribués. Cette action peut causer un court délai lors de la distribution de glace concassée. Le bruit du broyeur de glaçons est normal et la dimension des morceaux de glace peut varier. Lorsqu'on passe du mode glace concassée au mode glaçons, quelques onces de glace concassée sont distribuées avec les premiers glaçons.

Distribution de glaçons :

1. Appuyer sur le bouton approprié pour sélectionner le type de glace désiré.

⚠ AVERTISSEMENT

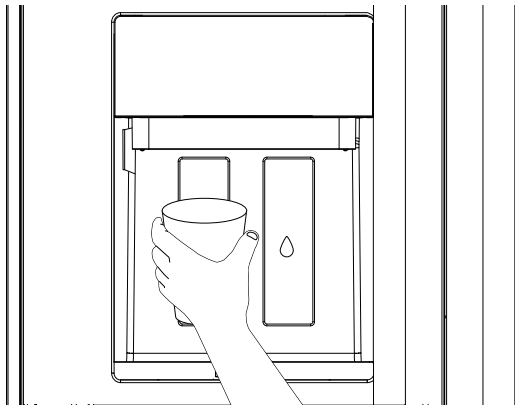


Risque de coupure

Utiliser un verre robuste pour la distribution de glaçons.

Le non-respect de cette instruction peut causer des coupures.

2. Appuyer un verre robuste contre la plaque du distributeur de glaçons. Tenir le verre près de l'ouverture du distributeur pour que les glaçons ne tombent pas à côté du verre.



IMPORTANT : Il n'est pas nécessaire d'exercer une pression importante sur la plaque pour activer le distributeur de glaçons. Une pression forte ne donne pas une distribution plus rapide de glaçons ou des quantités plus grandes.

3. Retirer le verre pour arrêter la distribution.

REMARQUE : La distribution de glaçons peut se poursuivre pendant 10 secondes après que le verre a été éloigné de la plaque. Le distributeur peut continuer à faire du bruit pendant quelques secondes après la distribution.

Plateau de distributeur (sur certains modèles)

Certains modèles possèdent un plateau sous la zone du distributeur. Le plateau est conçu pour récupérer les légers renversements et peut être enlevé et nettoyé.

REMARQUE : Le récipient ne comporte pas de conduit d'écoulement.

Machine à glaçons et bac d'entreposage

IMPORTANT : Purger le système d'approvisionnement en eau avant de mettre en marche la machine à glaçons. Voir la section « Distributeurs d'eau et de glaçons ». Prévoir un délai de 24 heures pour la production du premier lot de glaçons. Jeter les trois premiers lots de glaçons produits. Prévoir un délai de 3 jours pour le remplissage complet du bac à glaçons.

Modèles avec distribution :

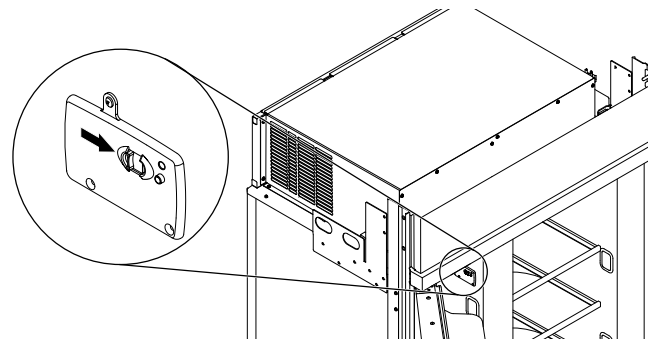
Mise en marche/arrêt de la machine à glaçons :

Le commutateur ON/OFF (MARCHE/ARRÊT se trouve dans la partie supérieure droite du compartiment de congélation.

1. Pour mettre la machine à glaçons en marche, glisser la commande à la position ON (MARCHE) (à gauche).

REMARQUE : Votre machine à glaçons a un arrêt automatique. Les détecteurs de machines à glaçons arrêteront automatiquement la production de glaçons, mais la commande demeurera à la position ON (MARCHE) (à gauche).

2. Pour un arrêt manuel, glisser la commande à la position OFF (ARRÊT) (à droite).

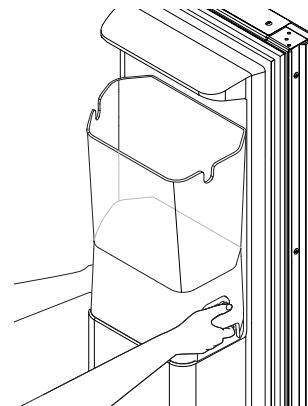


Pour retirer et réinstaller le bac de conservation des glaçons :

1. Tenir la base du bac d'entreposage à deux mains et appuyer sur le bouton pour dégager et sortir le bac.

REMARQUE : Il n'est pas nécessaire de tourner la commande de la machine à glaçons à la position Off (Arrêt) (à droite) lorsqu'on enlève le seau d'entreposage. Le couvercle du détecteur (« porte à clapet ») sur la paroi gauche du congélateur interrompt la production de glaçons lorsque la porte est ouverte ou que le bac d'entreposage a été enlevé.

2. Réinstaller le bac d'entreposage sur la porte et appuyer vers le bas pour s'assurer qu'il est bien en place.



Nettoyage du bac à glaçons :

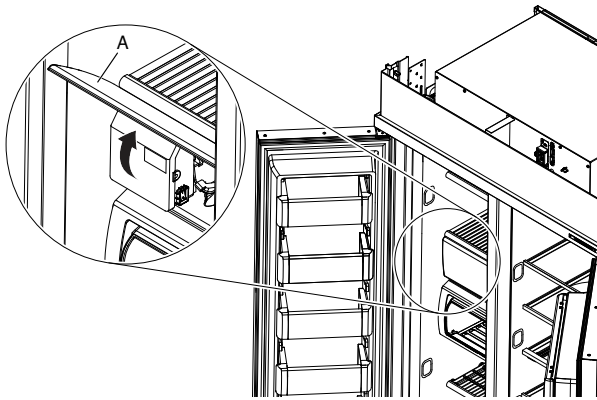
1. Vider le bac (faire fondre la glace avec de l'eau chaude si nécessaire). Ne pas utiliser d'objets pointus.
2. Laver avec un détergent doux, rincer et sécher à fond. Ne pas utiliser de nettoyeurs abrasifs.

REMARQUE : Il est normal que la glace s'agglomère dans le bac (en fonction de l'utilisation de la glace).

Modèles sans distribution :

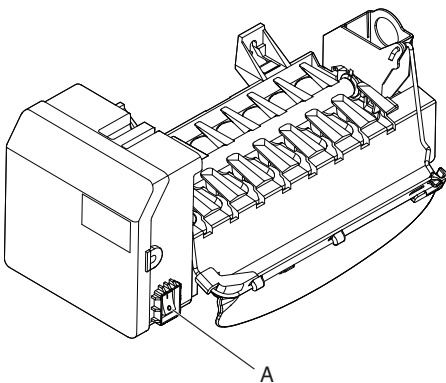
Pour retirer et réinstaller le bac à glaçons :

1. Relever le couvercle de la machine à glaçons.



A. Couvercle de la machine à glaçons

2. utilisant le commutateur pour activer ou désactiver la machine à glaçons.



A. Interrupteur de la machine à glaçons

3. Soulever l'avant du bac d'entreposage et tirer le bac à glaçons vers l'avant.
4. Pour remettre en place le bac à glace, sortir les glissières du tiroir, placer le bac sur les glissières et le pousser complètement vers l'arrière jusqu'à ce que le bac s'enclenche dans les glissières du tiroir.

REMARQUE : Une mauvaise installation peut empêcher le bac de se fermer correctement.

5. Utiliser l'interrupteur pour activer la machine à glaçons.

Nettoyage du bac d'entreposage à glaçons

REMARQUE : Il est normal que les glaçons soient agglomérés dans le bac à glaçons. Si l'on distribue ou utilise des glaçons plus fréquemment, ils se sépareront. Il est conseillé de vider et de nettoyer le bac à glaçons aussi souvent que nécessaire.

Nettoyage du bac d'entreposage à glaçons :

1. Vider le bac à glaçons. Utiliser de l'eau tiède pour faire fondre la glace si nécessaire.

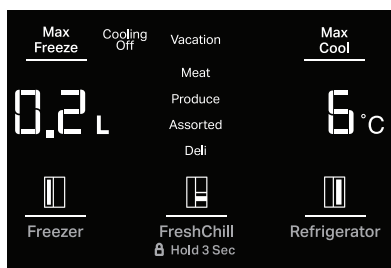
REMARQUE : Ne pas utiliser un objet pointu pour briser les glaçons dans le bac ou le seau. Cette action peut endommager le récipient à glaçons et le mécanisme du distributeur.

2. Laver à l'aide d'un détergent doux, bien rincer et sécher à fond. Ne pas utiliser de nettoyeurs forts ou abrasifs ni de dissolvants.

Ne pas oublier

- Prévoir un délai de 24 heures pour la production du premier lot de glaçons. Prévoir un délai de 3 jours pour le remplissage complet du récipient à glaçons.
- Jeter les trois premières quantités de glaçons produites pour éviter les impuretés qui peuvent être expulsées du système.
- La qualité des glaçons dépend de la qualité de l'eau fournie à la machine à glaçons.
- Éviter de connecter la machine à glaçons à une alimentation en eau adoucie.
- Les produits chimiques adoucisseurs d'eau (comme le sel) peuvent endommager certaines pièces de la machine à glaçons et entraîner une mauvaise qualité de glaçons. Si l'alimentation en eau adoucie ne peut être évitée, s'assurer que l'adoucisseur d'eau fonctionne bien et qu'il est bien entretenu.
- Il est normal pour les glaçons de coller ensemble aux coins. Ils se sépareront facilement.
- Pour la machine à glaçons des **modèles sans distribution**, ne pas forcer le bras de commande à broche métallique vers le haut ou vers le bas.
- Ne pas entreposer quoi que ce soit sur le dessus de la machine à glaçons ou dans le bac à glaçons.

Réglage en litres ou en onces



Maintenir enfoncés les boutons Max Freezer (Congélation maximale) et FreshChill (Rafraîchissement) pour passer entre litres (L) et onces (oz).

Lorsque L ou oz est sélectionné, la DEL correspondante s'allume brillamment. La DEL s'éteint au bout de 10 secondes si la fonction de quantité d'eau n'est pas utilisée.

L'option L/oz n'est activée que lorsqu'une fonction de quantité d'eau est utilisée (par exemple, remplissage mesuré ou calibration).

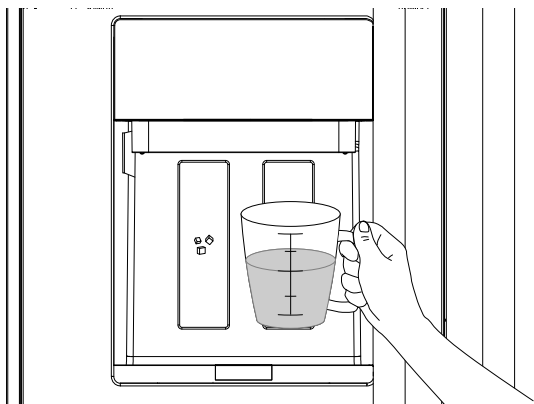
Calibration de la fonction Measured Fill (Remplissage mesuré)

La pression en eau du domicile peut affecter la précision de la fonction Measured Fill (Remplissage mesuré). Pour un rendement optimal du distributeur d'eau, il faut d'abord calibrer la fonction Measured Fill (Remplissage mesuré).

Démarrer le mode de calibration : Maintenir enfoncé le bouton Measured Fill (Remplissage mesuré) pendant 3 secondes pour accéder au mode de calibration. Le bouton s'affiche avec les réglages par défaut de 0,2 L ou 8 oz.



Dispense Water (Distribution d'eau) : Appuyer sur la plaque de distribution d'eau (p. ex., dans une tasse à mesurer) jusqu'à ce que la quantité désirée soit atteinte. Relâcher sur la plaque de distribution d'eau pour arrêter la distribution d'eau.



Enregistrer et quitter la calibration

- Sauvegarder :** Si de l'eau a été distribuée, appuyer sur le bouton Measured Fill (Remplissage mesuré) sauvegardera la quantité distribuée, une tonalité résonnera et la quantité calibrée clignotera deux fois à l'écran.
- Quitter (sans enregistrer) :** S'il n'y a pas eu de distribution d'eau, appuyer sur le bouton Measured Fill (Remplissage mesuré) permettra de quitter le mode de calibration sans sauvegarder la quantité calibrée.



REMARQUE : La quantité d'eau distribuée correspondra à la quantité sélectionnée. Vérifier que le récipient est vide et peut contenir le volume complet. Si de la glace se trouve dans le récipient, il faut peut-être modifier la sélection.

IMPORTANT : Une faible pression en eau peut affecter la précision de cette caractéristique.

- Appuyer sur MEASURED FILL (REPLISSAGE MESURÉ) pour activer la fonction. Une fois la fonction activée, l'écran Measured Fill (Remplissage mesuré) apparaît sur l'affichage.
- Pour distribuer de l'eau, appuyer un verre robuste contre la plaque du distributeur d'eau OU placer le verre sous le distributeur d'eau et appuyer sur le bouton MEASURED FILL (REPLISSAGE MESURÉ). Tenir le verre près de la canule du distributeur d'eau pour que l'eau coule dans le verre.
- Il est possible d'appuyer sur le bouton Measured Fill (Remplissage mesuré) pour passer à la quantité pré réglée suivante. Chaque fois qu'on appuie permet de passer à la quantité pré réglée suivante jusqu'à ce que la dernière option soit atteinte. Exemple – 8 oz à 16 oz à 24 oz, FIN (0,2 L à 0,5 L à 1,0 L, FIN).

REMARQUE :

- Le distributeur désactive automatiquement la fonction Measured Fill (Remplissage mesuré) après 1 minute d'inactivité. Lorsque la fonction Measured Fill (Remplissage mesuré) est désactivée, toute modification effectuée est perdue et les réglages par défauts sont réactivés.
- La majorité des tasses à café font de 4 à 6 oz (118 à 117 ml) et ne sont pas de la même taille qu'une tasse à mesurer de 8 oz (237 ml). Il peut être nécessaire de modifier le volume pour éviter un remplissage excessif des tasses à café.
- Au cours de la distribution de l'eau, l'affichage numérique procède à un décompte de la quantité d'eau qu'il reste à distribuer, en fonction du volume sélectionné. Le débit d'eau s'arrête automatiquement une fois que le volume désiré a été distribué.

Système de filtration de l'eau

Ne pas utiliser ce produit pour filtrer une eau microbiologiquement polluée ou de qualité inconnue en l'absence d'un dispositif de désinfection adéquat en amont ou en aval du système. Les systèmes certifiés pour la réduction des kystes peuvent être utilisés pour une eau désinfectée susceptible de contenir des kystes filtrables.

Témoin d'état du filtre à eau

Le témoin lumineux du filtre à eau, situé sur le panneau de commande, vous aidera à savoir quand changer le filtre à eau.

État de remplacement :

- Remplacer la cartouche du filtre à eau lorsque l'affichage de l'état du filtre passe à « Replace » (remplacer).

État de remplacement en retard :

- Lorsque le témoin du filtre à eau sur le tableau de commande devient rouge, ceci indique qu'il est temps de changer la cartouche du filtre à eau.
- Il est recommandé de remplacer le filtre lorsque le témoin lumineux de l'état du filtre passe au rouge ou lorsque le débit d'eau au distributeur ou à la machine à glaçons diminue de façon marquée.

REMARQUE : Si le débit d'eau au distributeur d'eau ou à la machine à glaçons diminue de façon marquée, remplacer le filtre plus tôt. Le filtre doit être remplacé au moins tous les 6 mois selon la qualité de l'eau et l'utilisation.

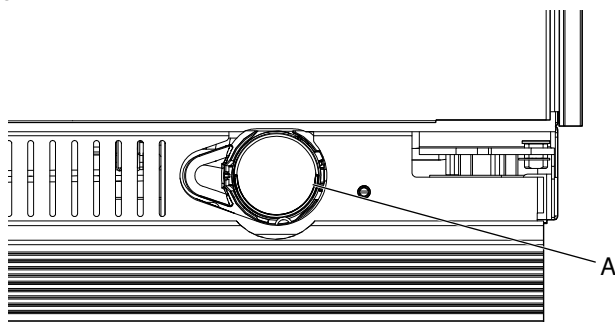
Pendant la distribution d'eau une fois que l'icône Replace Filter (Remplacement du filtre) est activée, cette dernière clignotera pendant la durée de la distribution. Cette situation s'applique pour l'état Replace Filter (Remplacement du filtre) et l'état de remplacement en retard. Quatorze jours après l'activation du témoin Replace Filter (Remplacement du filtre), le témoin passe en mode « Replace Overdue » (Remplacement en retard).

Réinitialiser l'état du filtre

Après avoir remplacé le filtre, appuyer sur le bouton Filter Reset (Réinitialisation du filtre) pendant 3 secondes. Le bouton ne s'affiche plus après la réinitialisation.

Remplacement du filtre à eau

Le filtre à eau : est situé dans la grille de la base, sous la porte du compartiment du congélateur. Il n'est pas nécessaire de retirer la grille de la base pour retirer le filtre.

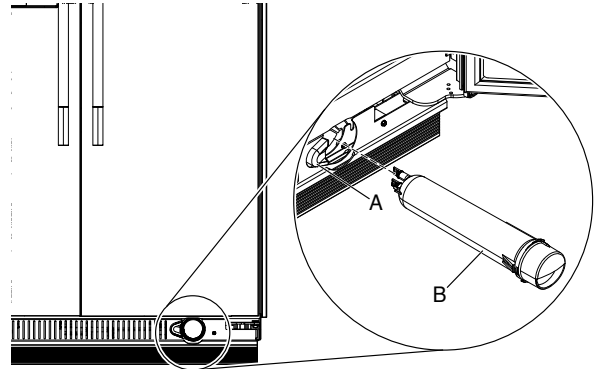


A. Filtre à eau

1. Retirer le filtre en poussant sur le bouton d'éjection et en tirant sur le bouchon du filtre en ligne droite.

REMARQUE :

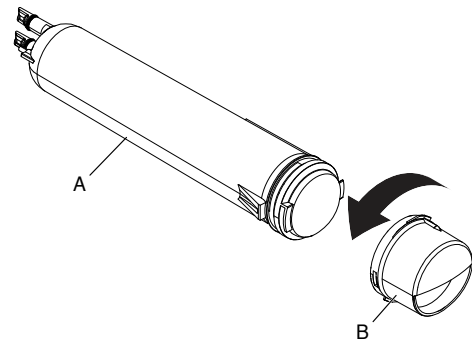
- Éviter de tourner le bouchon pendant l'extraction du filtre pour éviter les risques qu'il s'enlève. Si cela se produit, replacer le bouchon et tirer sur le filtre en ligne droite.
- Il y aura de l'eau dans le filtre. Il est possible qu'il y ait un dégât d'eau.



A. Boutons d'éjection
B. Filtre à eau

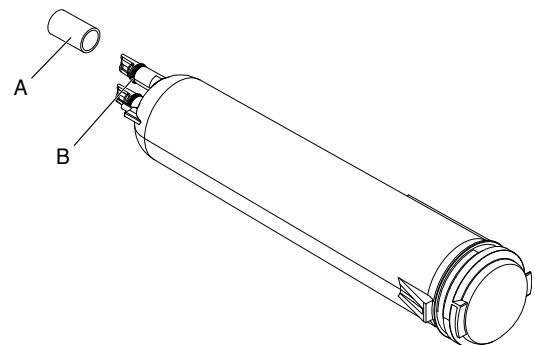
2. Enlever le bouchon en la dévissant dans le sens antihoraire jusqu'à ce qu'il ne soit plus possible de le tourner.

IMPORTANT : Ne pas jeter le couvercle. Il fait partie de votre réfrigérateur. Conserver le couvercle pour l'utiliser avec le filtre de rechange.



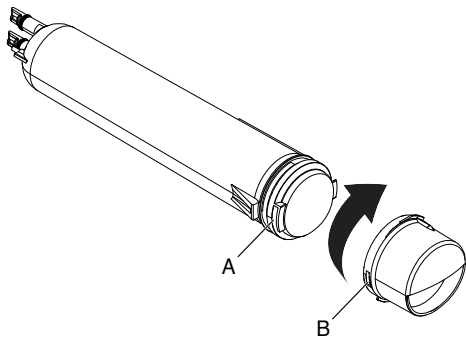
A. Filtre à eau
B. Bouchon

3. Aligner l'arête du bouchon avec la flèche du nouveau filtre, puis tourner le bouchon jusqu'à ce qu'il s'enclenche en place.



A. Couvercle
B. Joints toriques

- Enlever les bouchons des joints toriques. S'assurer que les anneaux d'étanchéité sont toujours en place une fois que les couvercles sont retirés.
- Placer le bouchon (retiré à l'étape 2) sur le nouveau filtre. Aligner l'arête du bouchon avec la flèche du filtre. Tourner le bouchon dans le sens horaire jusqu'à ce qu'il s'emboîte.



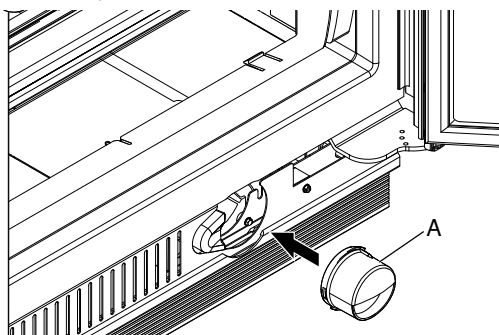
A. Flèche sur le filtre
B. Arrête sur le bouchon

- Enfoncer le nouveau filtre dans l'ouverture de la grille de la base. À mesure de l'insertion du filtre, le bouton d'éjection s'enfonce. Le bouton d'éjection ressortira lorsque le filtre sera complètement engagé.
- Tirer doucement sur le bouchon pour vérifier que le filtre est bien en place.
- Rincer le système de distribution d'eau. Selon le modèle, voir la section « Distributeurs d'eau et de glaçons » ou « Machine à glaçons et bac d'entreposage ».

Utilisation de la machine à glaçons sans un filtre à eau

Il est possible d'utiliser la machine à glaçons sans utiliser un filtre à eau. Vos glaçons ne seront pas filtrés.

- Retirer le filtre en poussant sur le bouton d'éjection et en tirant sur le bouchon. Voir le point « Remplacement du filtre à eau » situé plus haut dans cette section.
- Enlever le bouchon en la dévissant dans le sens antihoraire jusqu'à ce qu'il ne soit plus possible de le tourner.
IMPORTANT : Ne pas jeter le couvercle. Il fait partie de votre réfrigérateur.
- Avec le couvercle en position horizontale, insérer le bouchon dans la grille de la base jusqu'à ce qu'il s'arrête.



A. Bouchon

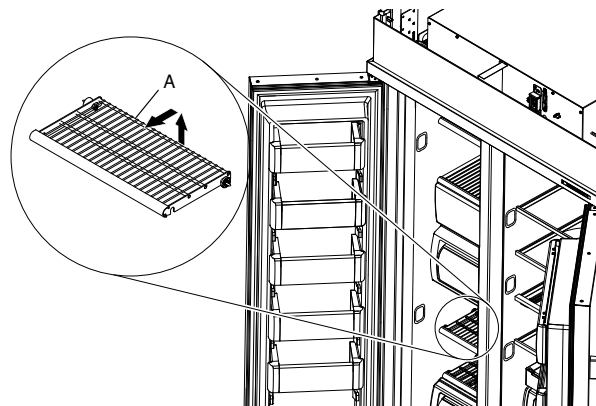
- Tourner le bouchon dans le sens antihoraire jusqu'à ce que le bouchon glisse dans la fente de fixation. Tourner ensuite le bouchon dans le sens horaire jusqu'à ce qu'il soit en position horizontale.

REMARQUE : Le bouchon ne sera pas au même niveau que la grille de la base.

Tablettes du congélateur

Pour enlever et réinstaller la tablette :

- Retirer l'étagère en la soulevant et en la tirant tout droit pour l'extraire.
- Réinstaller la tablette en l'alignant sur les supports et en l'abaissant pour la mettre en place.



A. Tablettes du congélateur

Guide de stockage des aliments surgelés

Les périodes de conservation varient selon la qualité et le type d'aliment, le type d'emballage et de pellicule utilisés (doivent être hermétiques et résistants à l'humidité) et la température de remisage. Les cristaux de glace à l'intérieur d'un emballage scellé sont normaux. La présence de cristaux signifie simplement que l'humidité dans les aliments et l'air à l'intérieur de l'emballage se sont condensés.

Ne pas placer plus d'aliments non congelés dans le congélateur que la quantité qui congèlera dans l'intervalle de 24 heures (pas plus de 2 à 3 lb d'aliments par pied cube d'espace [907 à 1 350 g pour 28 L] dans le congélateur). Laisser assez d'espace dans le congélateur pour permettre la circulation d'air entre les emballages. S'assurer de laisser assez d'espace pour que la porte ferme hermétiquement.

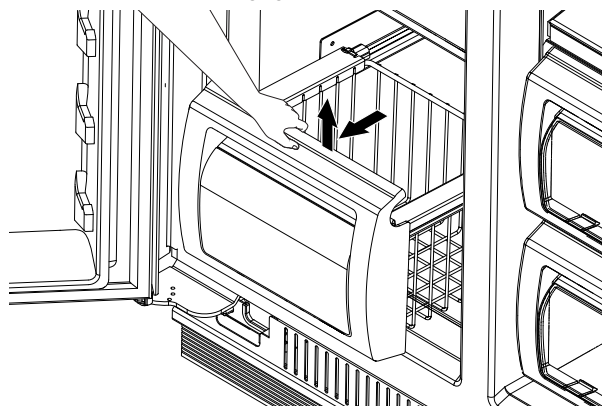
Pour plus de renseignements au sujet de la préparation des aliments pour la congélation, consulter un guide pour congélateur ou un livre de recettes fiable.

Panier du congélateur

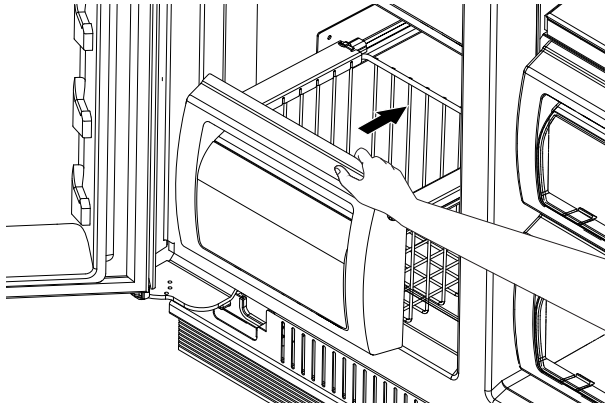
Le panier du congélateur peut être utilisé pour garder des sacs de fruits et de légumes congelés qui peuvent glisser hors des tablettes de congélateur.

Pour enlever et replacer le panier du congélateur :

- Tirer le panier en ligne droite jusqu'à la butée.
- Soulever l'avant du panier et le faire glisser complètement vers l'extérieur pour le dégager.



3. Replacer le panier en le plaçant sur les glissières de la paroi latérale. Soulever légèrement le devant du panier en le poussant au-delà des butées de la glissière et glisser le panier jusqu'au fond.



ENTRETIEN ET RÉPARATION

Nettoyage

⚠ AVERTISSEMENT



Risque d'explosion

Risque d'incendie ou d'explosion.

Fluide frigorigène inflammable utilisé.

Ne pas utiliser d'appareils mécaniques pour dégivrer le réfrigérateur.

Ne pas perforer la tubulure de réfrigération.

Les sections de réfrigération et de congélation se dégivrent automatiquement. Nettoyer toutefois les deux compartiments environ une fois par mois afin d'éviter une accumulation d'odeurs. Essuyer immédiatement les renversements.

Nettoyage du réfrigérateur :

1. Retirer la grille supérieure. Voir la section « Interrupteur d'alimentation marche/arrêt ».
2. Appuyer sur l'interrupteur d'alimentation pour le mettre en position d'arrêt.
3. Retirer toutes les pièces amovibles de l'intérieur comme les tablettes, les tiroirs FreshChill (Rafraîchissement), etc.

4. Laver à la main, rincer et sécher les pièces amovibles et les surfaces internes soigneusement. Utiliser une éponge propre ou un linge doux et un détergent doux dans de l'eau tiède.
 - Ne pas utiliser de nettoyeurs puissants ou abrasifs tels que les nettoyeurs à vitre en atomiseurs, nettoyeurs à récurer, liquides inflammables, cires nettoyantes, détergents concentrés, agents de blanchiment ou nettoyeurs contenant du pétrole sur les pièces en plastique, les garnitures intérieures et garnitures de portes ou sur les joints de portes. Ne pas utiliser d'essuie-tout, de tampons à récurer ou un autre outil de nettoyage abrasif. Ces produits risquent d'égratigner ou d'endommager les matériaux.
 - Pour aider à éliminer les odeurs, on peut laver les parois intérieures avec un mélange d'eau tiède et de bicarbonate de soude (2 c. à soupe pour 1 pte [26 g pour 0,95 L] d'eau).
5. Laver les surfaces extérieures en acier inoxydable et surfaces extérieures peintes avec une éponge propre ou un linge doux et un détergent doux dans de l'eau tiède. Ne pas utiliser de produits de nettoyage forts ou abrasifs ni de nettoyeurs à base de chlore. Sécher soigneusement au moyen d'un chiffon doux.

REMARQUE : Pour que votre réfrigérateur en acier inoxydable conserve son aspect neuf et pour enlever les petites égratignures ou marques, il est suggéré d'utiliser le nettoyant et poli pour acier inoxydable approuvé par le fabricant.

IMPORTANT : Ce nettoyant doit être utilisé sur les pièces en acier inoxydable uniquement.

Veiller à ce que le nettoyant et poli pour acier inoxydable n'entre pas en contact avec les pièces de plastique comme les garnitures, couvercles de distributeurs ou joints de porte. En cas de contact non intentionnel, nettoyer la pièce de plastique avec une éponge et un détergent doux dans de l'eau tiède. Sécher soigneusement au moyen d'un chiffon doux. Pour commander le nettoyant, voir la section « Accessoires ».

6. Appuyer sur l'interrupteur d'alimentation pour le mettre en position de marche.
7. Réinstaller la grille du haut. Voir la section « Interrupteur d'alimentation marche/arrêt ».

Nettoyage du condensateur

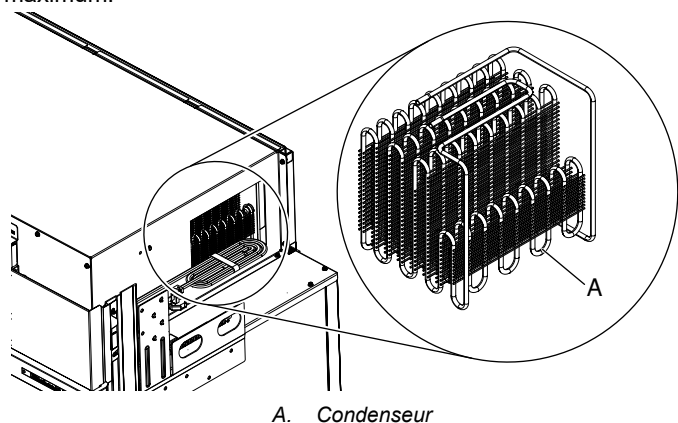
⚠ AVERTISSEMENT



Risque d'explosion

Risque d'incendie ou d'explosion causé par la perforation de la tubulure de réfrigération;
suivre avec attention les instructions de manipulation.
Fluide frigorigène inflammable utilisé.

Le condensateur n'a pas besoin d'être nettoyé souvent dans des conditions de fonctionnement domestique normales. Si l'environnement est particulièrement gras, poussiéreux ou s'il y a des animaux domestiques dans la maison, le condensateur devrait être nettoyé tous les 6 mois pour assurer une efficacité maximum.



A. Condenseur

1. Débrancher le réfrigérateur ou déconnecter la source de courant électrique.
2. Retirer la grille supérieure.
3. Utiliser un aspirateur à brosse douce pour nettoyer la grille, les endroits ouverts derrière la grille et la surface à l'avant du condensateur.
4. Replacer la grille de la base après avoir terminé.
5. Brancher le réfrigérateur ou reconnecter la source de courant électrique.

REMARQUE : Communiquer avec le service s'il est impossible de nettoyer le condensateur.

Remplacer le module à DEL

IMPORTANT : Les lampes des compartiments de réfrigération et de congélation utilisent la technologie DEL. Si les lampes ne s'allument pas lorsqu'on ouvre la porte, appeler les numéros fournis pour obtenir de l'aide ou un dépannage. Consulter le « Guide de démarrage rapide » pour les coordonnées. Si un module à DEL ne s'allume pas lorsque la porte du réfrigérateur ou du congélateur est ouverte, communiquez avec nous pour obtenir de l'aide ou un entretien.

Tablettes du réfrigérateur et balconnets de porte

Informations importantes à propos des tablettes et des couvercles en verre :

Ne pas nettoyer les tablettes ou les couvercles de verre avec de l'eau tiède lorsqu'ils sont froids. Les tablettes et couvercles peuvent se briser s'ils sont exposés à un changement de températures ou impact soudain, tel qu'une chute. Le verre trempé est conçu pour se briser en de multiples petits morceaux de la taille de gravillons. Ceci est normal. Les tablettes en verre et les couvercles sont lourds. Employer les deux mains lorsqu'on les retire afin d'éviter de les faire tomber.

Les tablettes de réfrigérateur sont réglables pour s'adapter aux besoins de rangement de l'utilisateur.

Afin de pouvoir trouver plus facilement l'article recherché, on peut remiser ensemble des aliments semblables dans le réfrigérateur et ajuster les tablettes pour les adapter aux différentes tailles d'articles. Ceci réduira également la durée d'ouverture de la porte du réfrigérateur et permettra d'économiser de l'énergie.

Balconnets de porte

Le compartiment de porte permet de ranger des contenants de un gallon, les compartiments peu profonds, des bouteilles de 2 L et le compartiment pour petits articles, des articles qui se perdraient sur les tablettes. Tous ces éléments sont amovibles pour faciliter le nettoyage.

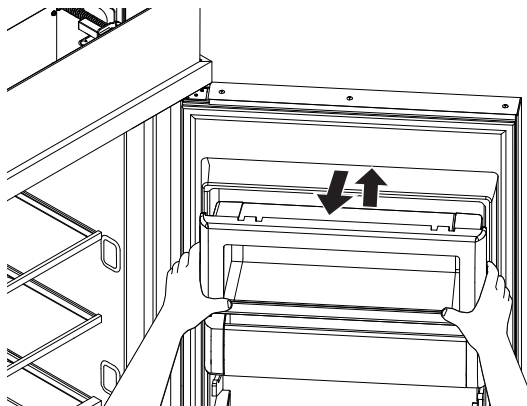
Compartiment pour petits articles

REMARQUE : Le compartiment doit être bien positionné dans la partie supérieure de la porte pour éviter que des articles ne tombent pendant l'ouverture ou la fermeture de la porte.

1. Installer le compartiment pour petits articles dans la partie supérieure de la porte et appuyer vers le bas pour verrouiller en place.

Pour retirer et réinstaller le compartiment pour petits articles :

1. Retirer le balconnet en le soulevant vers le haut et en tirant pour le sortir.
2. Réinstaller le balconnet en le faisant glisser au-dessus du support désiré et en l'enfonçant jusqu'à la butée.

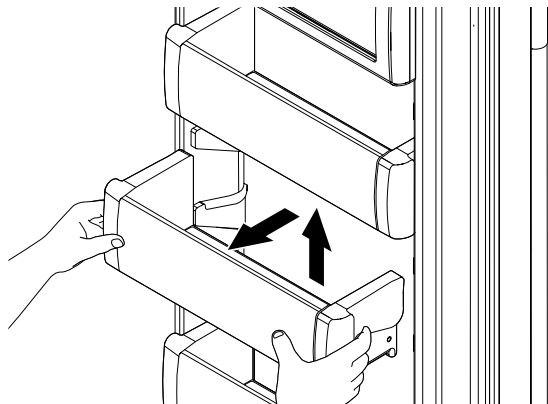


3. Installer le compartiment pour petits articles dans la partie du haut de la porte.

Compartiments peu profonds

Retrait et réinstallation des compartiments peu profonds :

1. Retirer le balconnet en le soulevant vers le haut et en tirant pour le sortir.
2. Réinstaller le balconnet en le faisant glisser au-dessus du support désiré et en l'enfonçant jusqu'à la butée.



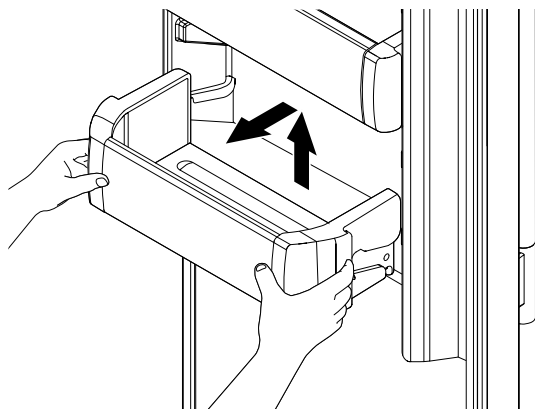
Compartiment de porte pour contenant de un gallon

REMARQUE : Le compartiment ne peut être placé que dans le support inférieur de la porte.

1. Installer le compartiment au-dessus du support inférieur de la porte et pousser vers le bas pour fixer sa place.

Retrait et réinstallation du compartiment de porte pour contenant de un gallon :

1. Retirer le compartiment en le soulevant vers le haut et en tirant pour le sortir.
2. Réinstaller le balconnet en le faisant glisser au-dessus du support désiré et en l'enfonçant jusqu'à la butée.

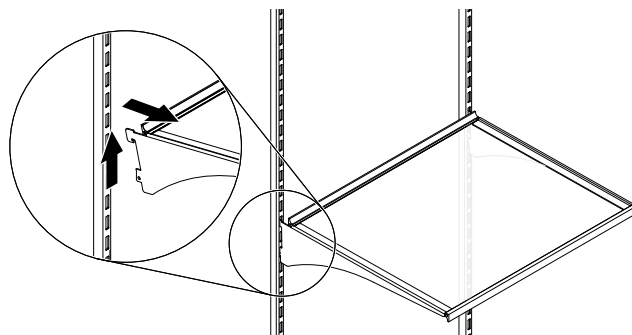


Tablettes et cadres de tablettes

Pour retirer et réinstaller une tablette/un cadre :

1. Enlever la tablette/le cadre en l'inclinant vers le haut à l'avant et en la/le soulevant hors des supports de tablette. Retirer la tablette tout droit vers l'extérieur.
2. Replacer la tablette/le cadre en dirigeant les crochets arrière de la tablette dans les supports de tablette. Incliner l'avant de la tablette vers le haut jusqu'à ce que les crochets arrière de la tablette se placent dans les supports de tablette.

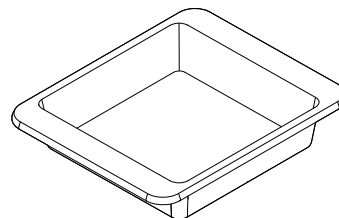
3. Abaisser l'avant de la tablette et vérifier que la tablette est bien en position.



Tablette de rangement à plateau

Retrait et installation :

1. Retirer les aliments du plat.
2. Retirer le bac sur environ 4 po (10,16 cm).
3. Passer les deux mains sous le plateau et soulever délicatement vers le haut jusqu'à ce que l'avant de la tablette se dégage. Incliner la tablette à un angle et la retirer du réfrigérateur.
4. Incliner la tablette et la positionner au-dessus des encoches de support.
5. Placer délicatement l'étagère sur les encoches de supports de la paroi latérale.



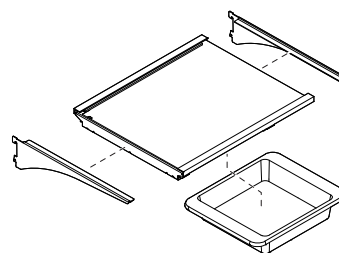
Plat à marinade

Retrait et réinstallation du plat à marinade :

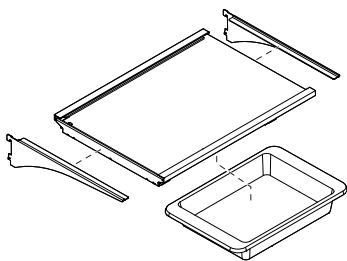
1. Enlever le plat à marinade en le soulevant des équerres. Comprimer le côté droit (vers l'intérieur) du plat pour le libérer totalement du support incorporé à l'équerre. Abaisser légèrement le côté droit, puis dégager le côté gauche du support incorporé à l'équerre de gauche.
2. Réinstaller le plat à marinade en insérant le côté gauche du bac dans l'équerre. Comprimer le côté droit (vers l'intérieur) pour pouvoir faire glisser ce côté dans le support incorporé à l'équerre de droite.

REMARQUE : Retirez tout ce qui se trouve sous (plateaux/seau) et au-dessus du plat à marinade avant de le retirer.

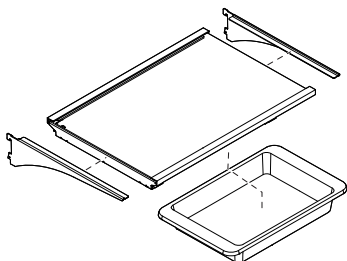
Pour 36 po



Pour 42 po



Pour 48 po

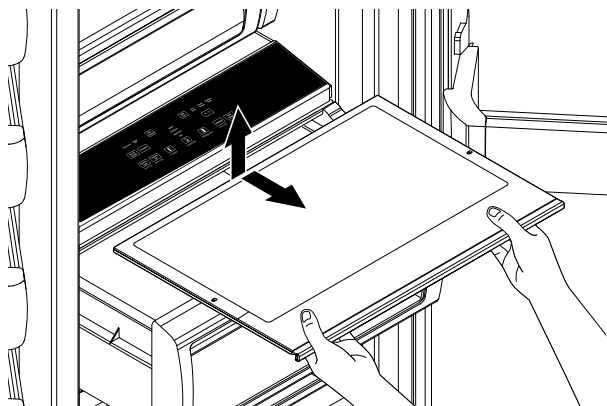


Pour acheter des ustensiles de cuisson au four supplémentaires, visiter le :

<https://www.kitchenaid.com/kitchenware/bakeware.html>

Retrait et réinstallation du couvercle du tiroir supérieur

1. Retirer les aliments du couvercle du tiroir supérieur. Retirer le bac sur environ 4 po (10,16 cm). Passer les deux mains sous la tablette en verre et soulever délicatement vers le haut jusqu'à ce que l'arrière de la tablette se dégage. Incliner la tablette à un angle et la retirer du réfrigérateur. S'assurer de ne pas heurter la partie en verre.



2. Remettre le couvercle en place en tenant le verre fermement à deux mains; incliner la tablette et la positionner au-dessus des encoches de support. Placer délicatement l'étagère sur les encoches de supports de la paroi latérale.

REMARQUE :

- Les produits sans distributeur ont une IU située juste au-dessus du tiroir avec commande de refroidissement.
- L'IU pour les produits avec distributeur est située dans la porte.

Guide d'entreposage des viandes

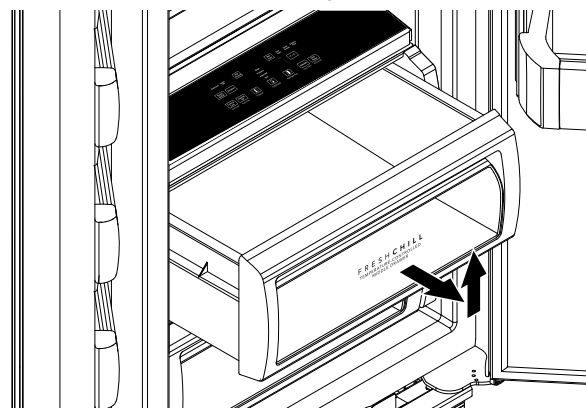
Garder la plus grande partie des viandes dans leur emballage d'origine pourvu qu'il soit hermétique et à l'épreuve de l'humidité. Emballer de nouveau si nécessaire. Voir le tableau suivant pour les durées d'entreposage. Lorsque la viande doit être entreposée plus longtemps que les durées indiquées, congeler la viande.

- Poisson frais ou crustacés..... à consommer le jour même de l'achat
- Poulet, bœuf haché, abats comestibles (foie)..... 1 à 2 jours
- Charcuteries, steaks/rôtis..... 3 à 5 jours
- Viandes salaisonées..... 7 à 10 jours

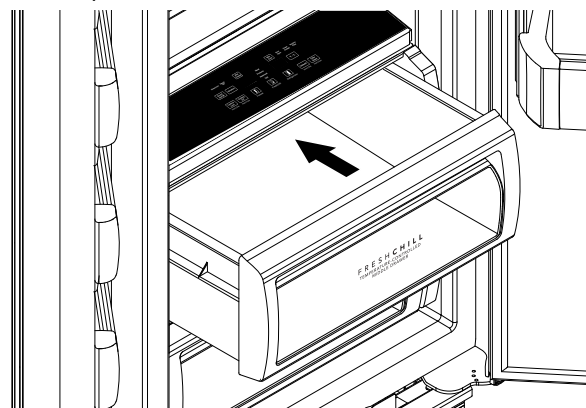
Restes – Couvrir les restes avec une pellicule en plastique ou du papier d'aluminium ou utiliser des contenants en plastique avec couvercles hermétiques.

Tiroir et couvercles FreshChill (Rafraîchissement) Retrait et réinstallation du tiroir FreshChill (Rafraîchissement) :

1. Extraire le bac à légumes en le faisant glisser vers l'extérieur jusqu'à la butée. Soulever l'avant du bac d'une main tout en soutenant la partie inférieure du bac de l'autre main. Retirer complètement le bac en le faisant glisser.



2. Pour remettre le tiroir FreshChill (Rafraîchissement) en place, placer le tiroir sur les glissières et le pousser jusqu'à ce qu'il soit bien en place.



3. Ouvrir de nouveau le tiroir FreshChill (Rafraîchissement) pour vérifier qu'il a été réinstallé correctement.

Nettoyage des couvercles du tiroir FreshChill (Rafraîchissement) :

1. Pour nettoyer le couvercle du haut du tiroir, retirer le tiroir situé juste au-dessus.
2. Pour nettoyer le couvercle du bas du tiroir, retirer d'abord le tiroir FreshChill (Rafraîchissement) supérieur et son couvercle.

Mode Sabbath (Sabbat) et Vacation Care (Entretien avant les vacances)

Instructions pour le mode Sabbath (Sabbat)

Votre réfrigérateur est muni du mode Sabbath (Sabbat), lequel est conçu pour les personnes dont les pratiques religieuses requièrent d'éteindre les lumières et la machine à glaçons.

En sélectionnant cette fonction :

- Les réglages de température et du bac pour spécialités alimentaires ne changent pas.
- Les DEL des commandes électroniques ne s'afficheront pas.
- Le bouton Sabbath (Sabbat) sera le seul allumé.
- Aucune distribution d'eau ou de glaçons.
- Aucune alarme ne résonnera.
- L'éclairage à l'intérieur sera éteint.
- Le produit n'aura aucune réaction à l'ouverture de la porte.

Pour un fonctionnement plus efficace du réfrigérateur, il est recommandé de sortir du mode Sabbath (Sabbat) lorsque celui-ci n'est plus nécessaire.

Pour activer complètement le mode Sabbath (Sabbat), suivre les instructions ci-dessous pour le tableau de commande.

IMPORTANT : Si le mode Sabbath (Sabbat) n'est pas activé selon les deux procédés ci-dessous, certaines fonctions que vous souhaitez désactiver resteront actives.

TABLEAU DE COMMANDE

En mode Sabbath (Sabbat), les points de réglage de température restent inchangés et les lampes intérieures sont éteintes.

1. Pour activer le mode Sabbath (Sabbat), appuyer sur le bouton Sabbath (Sabbat) situé sur le distributeur ou sur les commandes internes et maintenir le bouton enfoncé pendant 3 secondes.
2. Éteindre la machine à glaçons (consulter la section « Machine à glaçons et bac d'entreposage » pour obtenir plus d'instructions sur la façon d'activer et de désactiver la machine à glaçons).
3. Appuyer de nouveau pendant 3 secondes sur le bouton Sabbath (Sabbat) pour désactiver ce mode. Mettre la machine à glaçons en marche.

REMARQUE : Si l'appareil est en mode Sabbath (Sabbat) lorsqu'une panne de courant se produit, il restera en mode Sabbath (Sabbat) une fois la panne terminée.

Vacation Care (Entretien avant les vacances)

Vacation (Vacances)

Si le réfrigérateur est laissé en marche pendant une absence :

1. Consommer toutes les denrées périssables et congeler les autres articles.
2. Si le réfrigérateur comporte une machine à glaçons automatique et qu'il est raccordé à la source d'approvisionnement en eau du domicile, fermer la source d'approvisionnement en eau du réfrigérateur. Des dommages matériels peuvent survenir si l'alimentation en eau n'est pas coupée.
3. Si la machine à glaçons est automatique, éteindre la machine à glaçons.
 - Consulter la section « Machine à glaçons et bac d'entreposage » pour obtenir plus d'instructions sur la façon d'activer et de désactiver la machine à glaçons).
4. Vider le bac à glaçons.
5. Réglage du mode Vacation (Vacances)

Pour les appareils sans distributeur :

1. Appuyer sur le bouton Vacation (Vacances) pour activer le mode et allumer l'affichage. Appuyer de nouveau sur le bouton pour désactiver le mode.

Pour les appareils avec distributeur :

1. Pour activer le mode Vacation (Vacances), maintenir enfoncés les boutons Max Freeze (Congélation maximale) et Freezer (Congélateur) pendant 3 secondes, le témoin de vacances est illuminé à 100 % et clignote deux fois avant de rester allumé.
2. Pour désactiver le mode Vacation (Vacances), maintenir enfoncés les boutons Max Freeze (Congélation maximale) et Freezer (Congélateur) pendant 3 secondes, le témoin de Vacation (Vacances) clignote deux fois avant de rester éteint.

REMARQUE : L'activation du mode Vacation (Vacances) ne désactive pas la machine à glaçons.

Si l'utilisateur choisit d'arrêter le réfrigérateur avant son absence :

1. Enlever tous les aliments du réfrigérateur.
2. Si le réfrigérateur est équipé d'une machine à glaçons automatique :
 - Fermer l'approvisionnement en eau de la machine à glaçons au moins un jour à l'avance.
 - Lorsque la dernière quantité de glaçons est déposée, soulever le bras de commande d'arrêt métallique à la position Off (Arrêt) (position haute) ou placer le commutateur sur Off (Arrêt), selon le modèle.
3. Vider le bac à glaçons.
4. Selon votre modèle, tourner la commande du thermostat (ou la commande du réfrigérateur) sur Arrêt. Voir la section « Utilisation des commandes ».
5. Nettoyer le réfrigérateur, l'essuyer et bien le sécher.
6. À l'aide d'un ruban adhésif, placer des blocs de caoutchouc ou de bois dans la partie supérieure de chaque porte de façon à ce qu'elles soient suffisamment ouvertes pour permettre à l'air d'entrer et d'éviter l'accumulation d'odeur ou de moisissure.

DÉPANNAGE

Fonctionnement du réfrigérateur

Essayer d'abord les solutions suggérées ici pour éviter une intervention de dépannage. Pour obtenir une assistance supplémentaire, voir les coordonnées figurant dans le « Guide de démarrage rapide ».

Le réfrigérateur ne fonctionne pas

⚠ AVERTISSEMENT



Risque de décharge électrique

Brancher l'appareil sur une prise à 3 alvéoles reliée à la terre.

Ne pas enlever la prise de liaison à la terre.

Ne pas utiliser d'adaptateur.

Ne pas utiliser de rallonge.

Le non-respect de ces instructions peut causer un décès, un incendie ou une décharge électrique.

- **Le cordon d'alimentation électrique est-il débranché?** Brancher sur une prise à 3 alvéoles reliée à la terre.
- **La prise électrique fonctionne-t-elle?** Brancher une lampe pour voir si la prise fonctionne.
- **Un fusible du domicile est-il grillé ou un disjoncteur s'est-il ouvert?** Remplacer le fusible ou réenclencher le disjoncteur. Si le problème persiste, appeler un électricien.
- **Les commandes sont-elles activées?** S'assurer que les commandes du réfrigérateur sont sur On (marche). Voir la section « Utilisation des commandes ».
- **Le réfrigérateur est-il en train de se dégivrer?** Votre réfrigérateur fera fonctionner un programme de dégivrage automatique. Revérifier après 45 minutes pour voir s'il fonctionne.
- **S'agit-il d'une nouvelle installation?** Accorder 24 heures après l'installation pour que le réfrigérateur se refroidisse complètement.
REMARQUE : Le fait de placer les commandes de température sur le réglage le plus froid ne refroidira pas le compartiment plus rapidement.

Le moteur semble fonctionner excessivement

Il se peut que ce nouveau réfrigérateur fonctionne plus longtemps que l'ancien en raison du compresseur et des ventilateurs à haute efficacité. L'appareil peut fonctionner plus longtemps encore si la température de la pièce est élevée, si une grande quantité de nourriture a été ajoutée, si les portes sont fréquemment ouvertes ou si elles ont été laissées ouvertes.

Si le réfrigérateur est bruyant

Le bruit émis par les réfrigérateurs a été réduit au cours des années. Du fait de cette réduction, il est possible d'entendre des bruits intermittents provenant du nouveau réfrigérateur qui n'avaient pas été décelés avec l'ancien modèle. Voici une liste des sons normaux accompagnés d'une explication.

- **Bourdonnement** – Se fait entendre lorsque le robinet d'eau s'ouvre pour remplir la machine à glaçons.
- **Pulsation** – les ventilateurs/le compresseur se règlent afin d'optimiser la performance.
- **Cliquetis** – Écoulement de liquide réfrigérant, mouvement des conduites d'eau ou d'objets posés sur le dessus du réfrigérateur.
- **Grésillement/gargouillement** – de l'eau tombe sur l'élément de chauffage durant le programme de dégivrage.
- **Bruit d'éclatement** – contraction/expansion des parois internes, particulièrement lors du refroidissement initial.
- **Bruit d'écoulement d'eau** – Peut être entendu lorsque la glace fond lors du programme de dégivrage et que l'eau s'écoule dans le plateau de dégivrage.
- **Grincement/craquement** – Se produit lorsque la glace est éjectée du moule à glaçons.
- **Bruit de claquement pendant le fonctionnement de la machine à glaçons ou de la distribution d'eau** – Vérifier s'il est nécessaire d'installer un dispositif de protection contre les coups de bélier. Consulter la section « Spécifications de l'alimentation en eau » pour obtenir plus d'informations.

Aucune alarme sonore de porte ouverte ne retentit La porte a-t-elle été ouverte moins de 10 minutes?

L'alarme de porte ouverte ne clignote que si la porte est restée ouverte pendant plus de 10 minutes. L'alarme sonore retentit la première fois que la porte reste ouverte pendant plus de 10 minutes. Les alarmes de porte ouverte subséquentes se feront toutes sous forme de clignotement. L'alarme sonore doit être réinitialisée chaque fois. Voir la section « Utilisation des commandes ».

La porte ne ferme pas complètement

- **La porte est-elle bloquée en position ouverte?** Déplacer les emballages d'aliments pour libérer la porte.
- **Un compartiment ou une tablette bloquent-ils le passage?** Replacer le compartiment ou la tablette en position correcte.

Les portes sont difficiles à ouvrir

⚠ AVERTISSEMENT



Risque d'explosion

Garder les matières et les vapeurs inflammables, telles que l'essence, à l'écart de l'appareil.

Utiliser un produit de nettoyage ininflammable.

Le non-respect de ces instructions peut causer un décès, une explosion ou un incendie.

Les joints sont-ils collants ou sales? Nettoyer les joints au savon doux et à l'eau tiède.

L'éclairage ne fonctionne pas

Le réfrigérateur est-il en mode Sabbath (Sabbat)? Voir la section « Utilisation des commandes ».

La porte a-t-elle été ouverte plus de 10 minutes? Voir la section « Utilisation des commandes ».

Température et humidité

La température est trop élevée

- **S'agit-il d'une nouvelle installation?** Accorder 24 heures après l'installation pour que le réfrigérateur se refroidisse complètement.
- **Les portes sont-elles souvent ouvertes ou laissées ouvertes?** Ceci permet à l'air chaud de pénétrer dans le réfrigérateur. Réduire les ouvertures de porte et garder la porte complètement fermée.
- **A-t-on ajouté une grande quantité d'aliments?** Attendre quelques heures pour permettre au réfrigérateur de revenir à une température normale.
- **Les réglages sont-ils corrects pour les conditions existantes?** Régler les commandes à un degré plus froid. Vérifier la température au bout de 24 heures. Voir la section « Utilisation des commandes ».
- **Le réfrigérateur ne refroidit pas.** Sur les modèles à commandes numériques, éteindre le réfrigérateur puis le rallumer pour le réinitialiser. Si cela ne résout pas le problème, faire un appel de service.
- **Les événements sont-ils obstrués?** Enlever tout article placé devant les événements.

Il y a accumulation d'humidité à l'intérieur

REMARQUE : Une certaine accumulation d'humidité est normale.

- **La pièce est-elle humide?** Ceci contribue à l'accumulation de l'humidité.
- **Les portes sont-elles souvent ouvertes ou laissées ouvertes?** Ceci permet à l'air chaud de pénétrer dans le réfrigérateur. Réduire les ouvertures de porte et garder la porte complètement fermée.

Glaçons et eau

La machine à glaçons ne produit pas ou pas suffisamment de glaçons

- **Le réfrigérateur est-il connecté à l'alimentation en eau et le robinet d'arrêt d'eau est-il ouvert?** Brancher le réfrigérateur à l'alimentation en eau et ouvrir le robinet d'arrêt d'eau complètement.
- **La canalisation de la source d'eau du domicile comporte-t-elle une déformation?** Une déformation dans la canalisation peut réduire l'écoulement d'eau. Redresser la canalisation d'eau.
- **La machine à glaçons est-elle allumée?** S'assurer que l'interrupteur est en position ON (MARCHE).
- **S'agit-il d'une nouvelle installation?** Attendre 24 heures après l'installation de la machine à glaçons pour que la production de glaçons commence. Attendre environ 72 heures pour que la production de glaçons soit complète.
- **A-t-on récemment prélevé une grande quantité de glaçons?** Attendre 24 heures pour que la machine à glaçons produise plus de glaçons.
- **Un glaçon est-il coincé dans le bras éjecteur de la machine à glaçons?** Enlever le glaçon du bras éjecteur avec un ustensile en plastique.
- **Un système de filtration de l'eau à osmose inverse est-il connecté à l'alimentation en eau froide?** Ceci peut réduire la pression de l'eau. Voir la section « Spécifications de l'alimentation en eau ».

Les glaçons sont creux ou petits

REMARQUE : Cela indique une faible pression d'eau.

- **Le robinet d'arrêt de la canalisation d'eau est-il complètement ouvert?** Ouvrir le robinet d'arrêt complètement.
- **La canalisation de la source d'eau du domicile comporte-t-elle une déformation?** Une déformation dans la canalisation peut réduire l'écoulement d'eau. Redresser la canalisation d'eau.
- **Un système de filtration de l'eau à osmose inverse est-il connecté à l'alimentation en eau froide?** Ceci peut réduire la pression de l'eau. Voir la section « Spécifications de l'alimentation en eau ».
- **D'autres questions concernant la pression de l'eau?** Appeler un plombier agréé et qualifié.

Les glaçons sont agglomérés dans le bac d'entreposage

- Il est normal que du givre se forme sur le dessus du bac d'entreposage; ceci est dû aux ouvertures et fermetures de la porte du congélateur.
- Il est normal que les glaçons s'agglomèrent lorsqu'ils ne sont pas fréquemment distribués ou utilisés. Il est conseillé de vider et de nettoyer le bac à glaçons aussi souvent que nécessaire. Voir la section « Machine à glaçons et bac d'entreposage ».

Mauvais goût, odeur ou couleur grise des glaçons

- **Les raccords de plomberie sont-ils neufs?** Des raccords de plomberie neufs peuvent entraîner une décoloration ou un mauvais goût des glaçons.
- **Les glaçons ont-ils été gardés trop longtemps?** Jeter les glaçons. Laver le compartiment à glaçons. Attendre 24 heures pour la fabrication de nouveaux glaçons.
- **Y a-t-il un transfert d'odeurs de nourriture?** Utiliser des emballages hermétiques et à l'épreuve de l'humidité pour conserver les aliments.
- **L'eau contient-elle des minéraux (tels que le soufre)?** L'installation d'un filtre à eau peut être requise afin d'enlever les minéraux.

- **Un filtre à eau est-il installé sur le réfrigérateur?** Une décoloration grise ou foncée des glaçons indique que le système de filtration de l'eau nécessite un rinçage supplémentaire.

Le distributeur de glaçons ne fonctionne pas correctement

- **La porte du congélateur est-elle complètement fermée?** Bien fermer la porte. Si elle ne ferme pas complètement, voir la section « Les portes ne ferment pas complètement ».
- **Le bac à glaçons est-il bien installé?** S'assurer que le bac à glaçons est bien en place.
- **S'agit-il d'une nouvelle installation?** Attendre 24 heures après l'installation de la machine à glaçons pour que la production de glaçons commence. Attendre environ 72 heures pour que la production de glaçons soit complète.
- **Glaçons coincés dans la chute de distribution?** Retirer le bac à glaçons de la porte. Utiliser un ustensile en plastique pour dégager la chute.
- **Les mauvais glaçons ont-ils été ajoutés au bac?** Utiliser seulement des glaçons produits par la machine à glaçons actuelle.
- **La glace a-t-elle fondu autour de la tige (spirale en métal) dans le bac à glaçons?** Vider le bac à glaçons. Utiliser de l'eau tiède pour faire fondre la glace si nécessaire.

⚠ AVERTISSEMENT



Risque de coupure

Utiliser un verre robuste pour la distribution de glaçons.

Le non-respect de cette instruction peut causer des coupures.

- **Le distributeur de glaçons se bloque-t-il lorsqu'il distribue de la glace « concassée »?** Changer le réglage du bouton « crushed » (glace concassée) pour le réglage « cubed » (glaçons). Si les glaçons sont correctement distribués, appuyer sur le bouton « crushed » (concassée) pour obtenir de la glace pilée et reprendre la distribution.
- **Le bras de distribution a-t-il été retenu trop longtemps?** Les glaçons cessent d'être distribués lorsque le bras a été maintenu enfoncé trop longtemps. Attendre 3 minutes afin que le moteur du distributeur se réinitialise avant de réutiliser le distributeur.

Le distributeur d'eau ne fonctionne pas correctement

- **La porte du congélateur est-elle complètement fermée?** Bien fermer la porte. Si elle ne ferme pas complètement, voir la section « Les portes ne ferment pas complètement ».
- **Le réfrigérateur est-il connecté à l'alimentation en eau et le robinet d'arrêt d'eau est-il ouvert?** Brancher le réfrigérateur à l'alimentation en eau et ouvrir le robinet d'arrêt d'eau complètement.
- **La pression en eau est-elle d'au moins 30 lb/po² (207 kPa)?** La pression de l'eau du domicile détermine l'écoulement d'eau du distributeur. Voir la section « Spécifications de l'alimentation en eau ».

- **Déformation du conduit de canalisation d'eau du domicile?** Redresser la canalisation d'eau.
- **S'agit-il d'une nouvelle installation?** Rincer et remplir le système de distribution d'eau.
- **Un filtre à eau est-il installé sur le réfrigérateur?** Il est possible que le filtre soit obstrué ou mal installé.
- **Un système de filtration de l'eau à osmose inverse est-il connecté à votre canalisation d'eau froide?** Voir la section « Spécifications de l'alimentation en eau » soit dans les instructions d'installation soit dans le Guide d'utilisation et d'entretien.

De l'eau suinte du distributeur

REMARQUE : Il est normal de constater l'apparition d'une ou deux gouttes d'eau après la distribution d'eau.

- **Le verre n'a pas été maintenu sous le distributeur assez longtemps?** Maintenir le verre sous le distributeur 2 à 3 secondes après avoir relâché le levier du distributeur.
- **S'agit-il d'une nouvelle installation?** Rincer le système de distribution d'eau. Voir les sections « Préparation du circuit d'eau » ou « Distributeurs d'eau et de glaçons ».
- **Le filtre à eau a-t-il été récemment changé?** Rincer le système de distribution d'eau. Voir les sections « Préparation du circuit d'eau » ou « Distributeurs d'eau et de glaçons ».

L'eau du distributeur n'est pas assez froide

REMARQUE : L'eau du distributeur est refroidie à seulement 50 °F (10 °C).

- **S'agit-il d'une nouvelle installation?** Attendre 24 heures après l'installation pour que l'alimentation en eau refroidisse complètement.
- **A-t-on récemment distribué une grande quantité d'eau?** Attendre 24 heures pour que l'alimentation d'eau refroidisse complètement.
- **Y a-t-il longtemps que de l'eau a été servie?** Le premier verre d'eau peut ne pas être froid. Jeter le premier verre d'eau.
- **Le réfrigérateur est-il raccordé à la canalisation d'arrivée d'eau froide?** S'assurer que le réfrigérateur est raccordé à la canalisation d'arrivée d'eau froide. Voir la section « Spécifications de l'alimentation en eau ».

FICHE DE DONNÉES DE PERFORMANCE

Système de filtration de l'eau

Capacité du modèle EDR3RXD1B/P1WB2 de 200 gallons (757 L) avec indicateur PID; 100 gallons (378 L) sans indicateur
PID Filtres de remplacement EDR3RXD1, EDR3RXD1B, WHR3RXD1, KAD3RXD1 et EDR3RXD1R



Système testé et homologué par NSF International en vertu des normes NSF/ANSI 42, 53 et 401, ainsi que CSA B483.1 pour la réduction de contaminants spécifiés sur la fiche de données de performance.

Ce système a été testé selon les normes NSF/ANSI 42, 53, 401 et CSA B483.1 pour la réduction des substances énumérées ci-dessous. La concentration des substances indiquées dans l'eau entrant dans le système a été réduite à une concentration inférieure ou égale à la limite permise pour l'eau qui quitte le système, comme spécifié par les normes ANSI/NSF 42, 53 et 401, ainsi que CSA B483.1.

Réduction concentration produits de désinfection	Concentration dans l'eau à traiter	Limite permise de concentration du produit dans l'eau	Réduction de concentration % moy.
Chlore goût/odeur	2,0 mg/L ± 10 %	Réduction de 50 %	97,4 %
Particules (classe I*)	Au moins 10 000 particules/ml	Réduction de 85 %	> 99,9 %
Réduction des contaminants	Concentration dans l'eau à traiter	Limite permise de concentration du produit dans l'eau	Réduction de concentration % moy.
Plomb : à pH 6,5/à pH 8,5	0,150 mg/L ± 10 %	0,005 mg/L	> 99,7 %/> 99,7 %
Mercure : à pH 6,5/à pH 8,5	0,006 mg/L ± 10 %	0,002 mg/L	> 96,6 %/96,7 %
Amiante	10 ⁷ à 10 ⁸ fibres/L ^{††}	99 %	> 99,0 %
Kystes opérationnelst	50 000/L min.	99,95 %	> 99,99 %
Turbidité	11 NTU ± 10 %	0,5 NTU	99,1 %
Atrazine	0,009 mg/L ± 10 %	0,003 mg/L	> 94,0 %
Benzène	0,015 mg/L ± 10 %	0,005 mg/L	> 96,9 %
Carbofurane	0,080 mg/L ± 10 %	0,040 mg/L	> 98,7 %
Endrin	0,006 mg/L ± 10 %	0,002 mg/L	> 96,8 %
Éthylbenzène	2,100 mg/L ± 10 %	0,700 mg/L	> 99,9 %
Lindane	0,002 mg/L ± 10 %	0,000 2 mg/L	> 99,1 %
MTBE	0,015 mg/L ± 10 %	0,005 mg/L	93,2 %
O-dichlorobenzène	1,800 mg/L ± 10 %	0,600 mg/L	> 99,9 %
Tétrachloroéthène	0,015 mg/L ± 10 %	0,005 mg/L	> 96,8 %
Toxaphène	0,015 mg/L ± 10 %	0,003 mg/L	> 93,3 %
TTHM	0,045 mg/L ± 10 %	0,080 mg/L	98,6 %
COV	0,300 mg/L ± 10 %	0,015 mg/L	99,7 %
Aténolol	200 ± 20 %	30 ng/L	> 95,1 %
Triméthoprime	140 ng/L ± 20 %	20 ng/L	> 96,6 %
Linuron	140 ng/L ± 20 %	20 ng/L	> 96,7 %
Estrone	140 ng/L ± 20 %	20 ng/L	> 96,1 %
Nonylphénol	1 400 ng/L ± 20 %	200 ng/L	> 95,8 %
Méprobamate	400 ng/L ± 20 %	60 ng/L	> 94,9 %

Réduction des contaminants	Concentration dans l'eau à traiter	Limite permise de concentration du produit dans l'eau	Réduction de concentration % moy.
Carbamazépine	1 400 ng/L ± 20 %	200 ng/L	> 98,6 %
Diéthyltoluamide	1 400 ng/L ± 20 %	200 ng/L	> 98,8 %
Métolachlore	1 400 ng/L ± 20 %	200 ng/L	> 98,7 %
TCEP	5 000 ng/L ± 20 %	700 ng/L	> 98,0 %
TCPP	5 000 ng/L ± 20 %	700 ng/L	> 98,0 %
Phénytoïne	200 ng/L ± 20 %	30 ng/L	> 93,8 %
Ibuprofène	400 ng/L ± 20 %	60 ng/L	> 93,9 %
Naproxène	140 ng/L ± 20 %	20 ng/L	> 95,8 %
Bisphénol A	2 000 ng/L ± 20 %	300 ng/L	> 98,9 %

Paramètres de tests : pH = 7,5 ± 0,5 à moins d'indications contraires. Débit = 0,5 gpm (1,89 Lpm). Pression = 60 lb/po² (413,7 kPa). Température = 68 °F à 71,6 °F (20 °C à 22 °C). Capacité de service nominale = 200 gallons (757 litres).

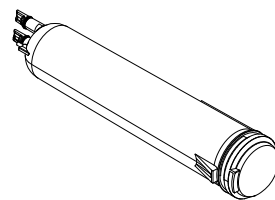
Les composés certifiés en vertu de la norme NSF 401 sont considérés comme appartenant à la catégorie des « composés émergents/contaminants secondaires ». Les composés émergents/contaminants secondaires sont des composés qui ont été détectés à de faibles concentrations dans des sources d'approvisionnement en eau potable. Même s'ils n'apparaissent qu'à de faibles concentrations, ces composés peuvent influencer la perception et le niveau d'acceptation de la qualité de l'eau de consommation par le public.

- Pour obtenir les instructions d'installation, d'utilisation et d'entretien, consulter le manuel d'utilisation.
- Il est important que les critères de fonctionnement, d'entretien et de remplacement du filtre soient respectés pour que le produit donne le rendement annoncé. Des dommages à la propriété peuvent se produire lorsque les instructions ne sont pas toutes respectées.
- La cartouche jetable doit être changée au moins tous les 6 mois.
- Utiliser le filtre de remplacement, numéro de pièce EDR3RXD1/EDR3RXD1B. Prix suggéré au détail en 2025 de 59,99 \$ US/69,99 \$ CAN. Les prix sont indiqués sous réserve de modification.
- Le système de contrôle du filtre mesure la quantité d'eau qui passe par le filtre et indique quand remplacer le filtre. Pour savoir comment vérifier l'état du filtre, consulter les sections « Utiliser les commandes » à la page 34 ou « Système de filtration d'eau » à page 41 des instructions d'utilisation ou du guide d'utilisation.
- Après avoir remplacé le filtre à eau, purger le système d'eau. Voir la section « Préparation du circuit d'eau » à la page 32 du guide d'utilisation.
- Ces contaminants ne sont pas nécessairement présents dans l'approvisionnement d'eau. Même si le test a été effectué dans des conditions de laboratoires standard, le rendement réel peut varier.
- Le produit doit être utilisé pour l'eau froide seulement.
- Le circuit d'eau doit être installé conformément aux lois et règlements locaux et à ceux de la province concernée.
- Ne pas utiliser ce produit pour filtrer une eau microbiologiquement polluée ou de qualité inconnue en l'absence d'un dispositif de désinfection adéquat en amont ou en aval du système. Les systèmes certifiés pour la réduction des kystes peuvent être utilisés pour une eau désinfectée susceptible de contenir des kystes filtrables. Étab. EPA no 082047-TWN-001.
- Consulter la section « Garantie » pour obtenir le nom et le numéro de téléphone du fabricant, ainsi que les renseignements sur la garantie limitée.

Directives d'application/paramètres d'approvisionnement en eau

Source d'eau	Puits ou collectivité
Pression d'eau	30 à 120 lb/po ² (207 à 827 kPa)
Température de l'eau	33 °F à 100 °F (0,6 °C à 37,8 °C)
Débit nominal	0,5 gal/m (1,89 L/m) à 60 lb/po ² (413,7 kPa)

- Le système de filtration d'eau peut prendre en charge une pression d'eau pouvant atteindre 120 livres par pouce carré (lb/po²). Si l'alimentation en eau est supérieure à 80 lb/po², installer un détendeur avant d'installer le système de filtration d'eau.



Assistance client **1 800 442-9991**
par Whirlpool Corporation
2000 North M63
Benton Harbor, MI 49022
Fabriqué à Taïwan.

*Classe I – taille des particules : > 0,5 um à 1 um

†Sur la base de la filtration de kystes de *Cryptosporidium parvum*

‡Filtres de longueur supérieure à 10 um

©NSF est une marque déposée de NSF International.