

SIDE BY SIDE BUILT-IN REFRIGERATOR WITH STAINLESS STEEL DOOR INSTALLATION INSTRUCTIONS

INSTRUCTIONS D'INSTALLATION DU RÉFRIGÉRATEUR CÔTE À CÔTE ENCASTRÉ AVEC PORTES EN ACIER INOXYDABLE

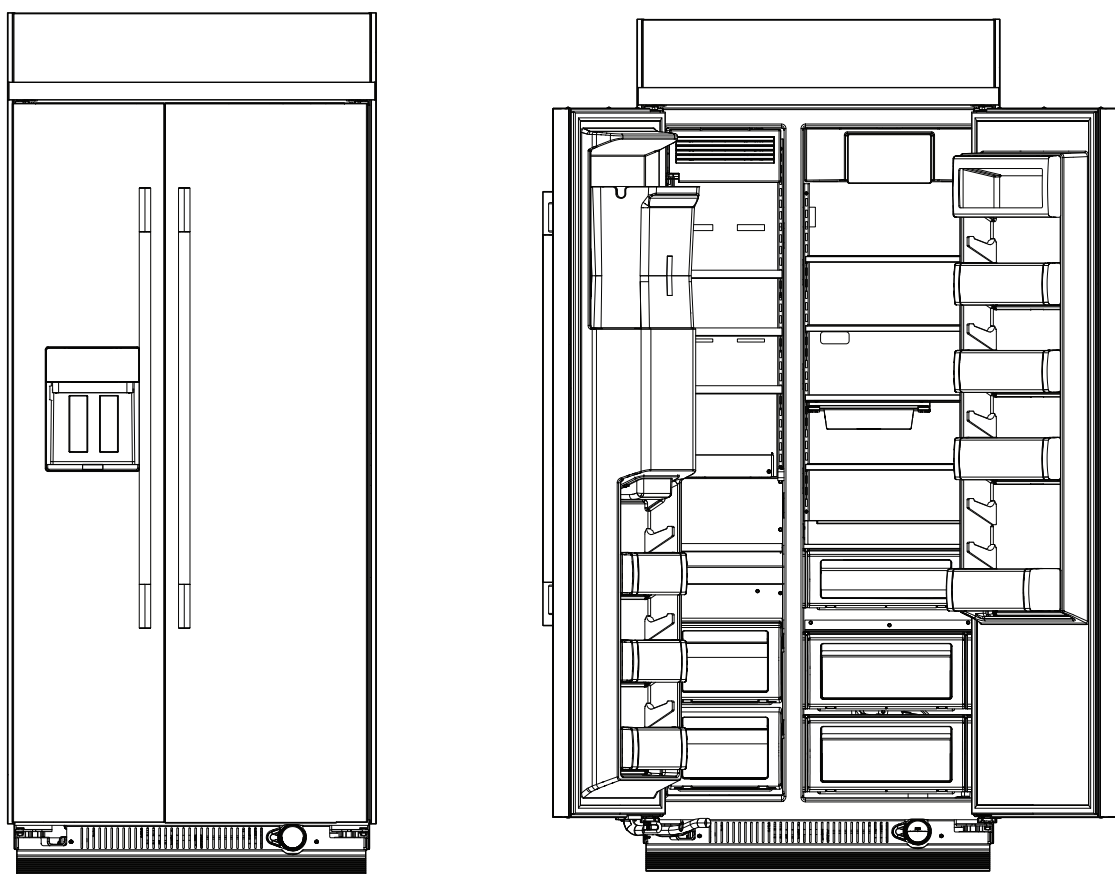


Table of Contents/Table des matières

<p>INSTALLATION CHECKLIST 3</p> <p>REFRIGERATOR SAFETY 4</p> <p style="padding-left: 20px;">Refrigerator Safety 4</p> <p style="padding-left: 20px;">Proper Disposal of Your Old Refrigerator 5</p> <p>MODELS 5</p> <p style="padding-left: 20px;">Stainless Series 5</p> <p style="padding-left: 20px;">Installation Options 6</p> <p>PRODUCT DIMENSIONS 6</p> <p>INSTALLATION REQUIREMENTS 7</p> <p style="padding-left: 20px;">Tools and Parts 7</p> <p style="padding-left: 20px;">Location Requirements 7</p> <p style="padding-left: 20px;">Opening Dimensions 8</p> <p style="padding-left: 20px;">Electrical Requirements 12</p> <p style="padding-left: 20px;">Water Supply Requirements 12</p> <p>INSTALLATION INSTRUCTIONS 14</p> <p style="padding-left: 20px;">Unpack the Refrigerator 14</p> <p style="padding-left: 20px;">Move the Refrigerator Near Final Location 16</p> <p style="padding-left: 20px;">Re-install the Side Trims 16</p> <p style="padding-left: 20px;">Door Swing Adjustment 17</p> <p style="padding-left: 20px;">Plug in Refrigerator 17</p> <p style="padding-left: 20px;">Move the Refrigerator into Cabinet Opening 18</p> <p style="padding-left: 20px;">Level and Align Refrigerator 19</p> <p style="padding-left: 20px;">Secure the Refrigerator in the Cabinet Opening 20</p> <p style="padding-left: 20px;">Connect the Water Supply 20</p> <p style="padding-left: 20px;">Adjust Doors 21</p> <p style="padding-left: 20px;">Install Base Grille 22</p> <p style="padding-left: 20px;">Complete the Installation 22</p> <p style="padding-left: 20px;">Water System Preparation 23</p> <p style="padding-left: 20px;">Odor Absorber (FreshFlow™ Air Filter) 24</p> <p style="padding-left: 20px;">Additional Product Dimensions 25</p>	<p>LISTE DE VÉRIFICATION POUR L'INSTALLATION 31</p> <p style="padding-left: 20px;">Liste De Vérification Pour L'Installation 31</p> <p>SÉCURITÉ DU RÉFRIGÉRATEUR 32</p> <p style="padding-left: 20px;">Sécurité du réfrigérateur 32</p> <p style="padding-left: 20px;">Mise au rebut du vieux réfrigérateur 33</p> <p>MODÈLES 33</p> <p style="padding-left: 20px;">Série Stainless 33</p> <p style="padding-left: 20px;">Options d'installation 34</p> <p>DIMENSIONS DU PRODUIT 34</p> <p>EXIGENCES D'INSTALLATION 35</p> <p style="padding-left: 20px;">Outils et pièces 35</p> <p style="padding-left: 20px;">Exigences d'emplacement 35</p> <p style="padding-left: 20px;">Dimensions de l'ouverture 36</p> <p style="padding-left: 20px;">Spécifications électriques 40</p> <p style="padding-left: 20px;">Spécifications de l'alimentation en eau 40</p> <p>INSTRUCTIONS D'INSTALLATION 42</p> <p style="padding-left: 20px;">Déballage du réfrigérateur 42</p> <p style="padding-left: 20px;">Déplacement du réfrigérateur près de son emplacement final 44</p> <p style="padding-left: 20px;">Réinstallation des garnitures latérales 44</p> <p style="padding-left: 20px;">Réglage de l'ouverture de la porte 45</p> <p style="padding-left: 20px;">Brancher le réfrigérateur 46</p> <p style="padding-left: 20px;">Déplacement du réfrigérateur dans l'ouverture de l'armoire 46</p> <p style="padding-left: 20px;">Réglage de l'aplomb et alignement du réfrigérateur 47</p> <p style="padding-left: 20px;">Fixer le réfrigérateur dans l'ouverture de l'armoire 48</p> <p style="padding-left: 20px;">Raccordement à la conduite d'eau 48</p> <p style="padding-left: 20px;">Ajustement des portes 49</p> <p style="padding-left: 20px;">Installation de la grille de la base 50</p> <p style="padding-left: 20px;">Terminer l'installation 50</p> <p style="padding-left: 20px;">Préparation du circuit d'eau 51</p> <p style="padding-left: 20px;">Filtre à odeur (filtre à air FreshFlow™) 52</p> <p style="padding-left: 20px;">Dimensions supplémentaires du produit 53</p>
---	--

INSTALLATION CHECKLIST

This checklist is designed to confirm a smooth and successful built-in refrigerator installation by the installer and customer. Review the checklist with the customer and leave it with the accompanying literature (Installation Guide, Use and Care Guide, extra parts, etc.).

Model Number: _____

Serial Number: _____

Installer Initials / Date: _____

Installation

- Have all four leveling legs been lowered to the floor?
- Is the refrigerator secured to the surrounding cabinetry using provided brackets?
- Do the doors have adequate door swing clearance?
- Is the refrigerator level and doors aligned?
- Is all packaging (films, tapes, cardboard) removed from the refrigerator?
- Are the stainless steel (if applicable) doors and upper grille cleaned and free from defects?
- Is the lower toe kick / base grille installed?

Functional

- Are all door seals making proper contact with the refrigerator cabinet?
- Are the door handles firmly attached?
- Is the refrigerator power cord plug fully seated and is the unit powered on and cooling?
- Is the refrigerator power cord plug fully seated and is the unit powered on and cooling?
- Is the waterline connected to the refrigerator and the shut-off valve turned on?
- Is the waterline free of restrictions and kinks? Has water flow been confirmed?
- Are all waterline connections (shut-off valve, unions, and refrigerator inlet) free from leaks? Are any other water leaks present?
- Has the refrigerator's internal water system been purged of air? Is the water dispenser (if applicable) functioning properly?
- Is the Ice maker turned to the ON position?
- Are all shelves and bins installed?
- Is the water filter / air filter (if applicable) installed?

If any of the above items were not completed during installation, please contact your dealer or installer.

REFRIGERATOR SAFETY

Your safety and the safety of others are very important.

We have provided many important safety messages in this manual and on your appliance. Always read and obey all safety messages.



This is the safety alert symbol.

This symbol alerts you to potential hazards that can kill or hurt you and others.

All safety messages will follow the safety alert symbol and either the word "DANGER" or "WARNING." These words mean:

▲ DANGER

You can be killed or seriously injured if you don't immediately follow instructions.

▲ WARNING

You can be killed or seriously injured if you don't follow instructions.

All safety messages will tell you what the potential hazard is, tell you how to reduce the chance of injury, and tell you what can happen if the instructions are not followed.

IMPORTANT SAFETY INSTRUCTIONS

WARNING: To reduce the risk of fire, electric shock, or injury to persons when using your appliance, follow basic precautions, including the following:

- Children should be supervised to ensure that they do not play with the appliance.
- This appliance is not intended for use by persons (including children) with reduced physical, sensory, or mental capabilities, or lack of experience and knowledge, unless they have been given supervision or instruction concerning use of the appliance by a person responsible for their safety.
- Do not use an extension cord.
- If power supply cord is damaged, it must be replaced by the manufacturer, its service agent, or a similarly qualified person in order to avoid a hazard.
- Connect to potable water supply only.
- This appliance is intended to be used in household and similar applications such as: staff kitchen areas in shops, offices, and other working environments; farm houses and by clients in hotels, motels, and other residential-type environments; bed and breakfast-type environments; and catering and similar non-retail applications.
- Do not store explosive substances such as aerosol cans with a flammable propellant in this appliance.
- Use the new hose-sets supplied with the appliance and that old hose-sets should not be reused.
- Do not use replacement parts that have not been recommended by the manufacturer (e.g., parts made at home using a 3D printer).
- Keep ventilation openings, in the appliance enclosure or in the built-in structure, clear of obstruction.
- Do not use mechanical devices or other means to accelerate the defrosting process, other than those recommended by the manufacturer.
- Do not damage the refrigerant circuit.
- Do not use electrical appliances inside the food storage compartments of the appliance, unless they are of the type recommended by the manufacturer.
- Ice maker kit can be added to some models. See serial tag inside the food compartment of appliance for ice maker kit model information.
- A qualified service technician must install the water line and ice maker. See installation instructions supplied with ice maker kit for complete details.
- Do not locate multiple portable socket-outlets or portable power supplies at the rear of the appliance.
- This appliance can be used at a maximum altitude of 2000 m (6561.7 ft) from the sea level.
- When positioning the appliance, ensure the supply cord is not trapped or damaged.
- Do not locate multiple portable socket-outlets or portable power supplies at the rear of the appliance.
- To avoid a hazard due to instability of the appliance, it must be fixed in accordance with the instructions provided in the installation instructions.

SAVE THESE INSTRUCTIONS

Proper Disposal of Your Old Refrigerator

⚠️WARNING



Tip Over Hazard

Refrigerator is top heavy and tips easily when not completely installed.

Keep doors taped closed until refrigerator is completely installed.

Use two or more people to move and install refrigerator.

Failure to do so can result in death or serious injury.

WARNING: Risk of child entrapment. Before you throw away your old refrigerator or freezer:

- Take off the doors.
- Leave the shelves in place so that children may not easily climb inside.

⚠️WARNING

Suffocation Hazard

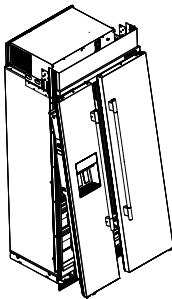
Remove doors or lid from your old appliance.

Failure to do so can result in death or brain damage.

IMPORTANT: Child entrapment and suffocation are not problems of the past. Junked or abandoned refrigerators are still dangerous, even if they will sit for “just a few days.” If you are getting rid of your old refrigerator, please follow these instructions to help prevent accidents.

Important information to know about disposal of refrigerants:

Dispose of refrigerator in accordance with federal and local regulations. Refrigerants must be evacuated by a licensed, EPA-certified refrigerant technician in accordance with established procedures.

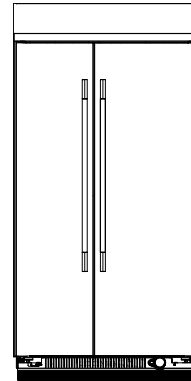


MODELS

Stainless Series

This series provides a warm commercial-looking built-in refrigerator.

Side by Side Non-Dispensing Refrigerators



42" Wide

KBSN742SPS

KBSN742SBE

KBSN742SJP

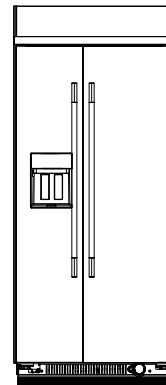
48" Wide

KBSN748SPS

KBSN748SBE

KBSN748SJP

Side by Side Dispensing Refrigerators



36" Wide

KBSD736SPS

42" Wide

KBSD742SPS

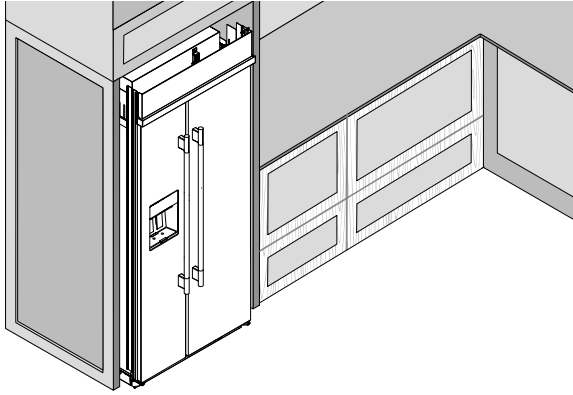
48" Wide

KBSD748SPS

Installation Options

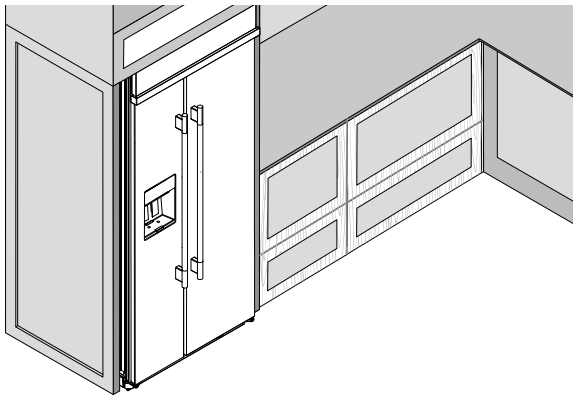
Pinch Hazard

CAUTION: Installation of door panels with less than a 3/8" (9.5 mm) gap between the door panel and the adjacent cabinet increases the risk of potential pinching.



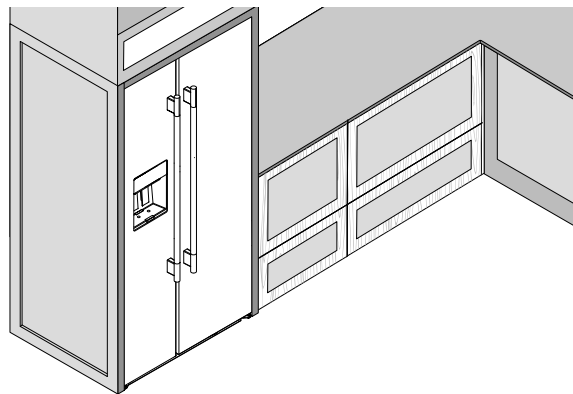
Standard

Refrigerator is 1³/₄" (44 mm) proud of the cabinetry.



Overlay

Refrigerator is 7/8" (22 mm) proud of the cabinetry (with maximum door swing set to 110°). This installation provides 11/16" (17 mm) side reveals.

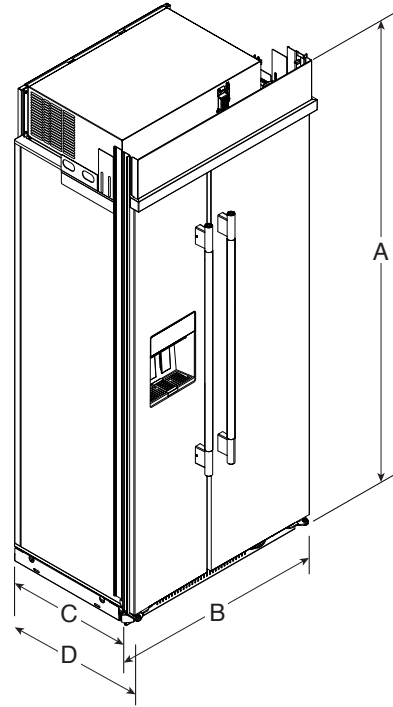


Flush

Refrigerator flush with the cabinetry (with maximum door swing set to 110°). This installation provides 1" (25.4 mm) side reveals.

PRODUCT DIMENSIONS

Product Dimensions



Description		36" Models	42" Models	48" Models
A	Overall height	83 ¹ / ₄ " (2115 mm)		
B	Overall Width	36 ³ / ₈ " (923 mm)	42 ⁵ / ₁₆ " (1075 mm)	47 ³ / ₁₆ " (1199 mm)
C	Depth without handle	25 ¹³ / ₁₆ " (655 mm)		
D	Depth with handles	27 ³ / ₄ " (706 mm)		

When leveling legs are fully extended to 1¹/₄" (32 mm) below rollers, add 1¹/₈" (29 mm) to the height dimensions.

INSTALLATION REQUIREMENTS

Tools and Parts

IMPORTANT:

- Installer: Leave Installation Instructions with the homeowner.
- Homeowner: Keep Installation Instructions for future reference. Save these Installation Instructions for the local electrical inspector's use.

Tools Needed

Gather the required tools and parts before starting installation. Read and follow the instructions provided with any tools listed here.


- | | |
|-----------------------------------|--------------------------|
| ■ Cordless drill | ■ Torx®† T27 screwdriver |
| ■ Drill bits | ■ 11/32" nut driver |
| ■ Adjustable wrenches (2) | ■ Appliance dolly |
| ■ Phillips screwdriver | ■ 5/32" hex key |
| ■ Small level | ■ Utility knife |
| ■ 3/8" and 1/2" open-end wrenches | ■ Tape measure |
| ■ 1/4" and 5/16" socket drivers | |

Parts Needed

- #8 x 3" (76 mm) wood screws to install brackets (minimum 2 screws per bracket)
- Use a flexible water supply line that meets local plumbing codes (such as Braided stainless steel or 1/4" (6.35 mm) copper).
- If you use 1/4" (6.35 mm) copper tubing, you will also need a ferrule and a 1/4" (6.35 mm) compression fitting. These are parts used to connect the water line.
- If you are connecting the water line directly to copper tubing and not to a shut-off valve, you need a ferrule, a union, and a 1/4" (6.35 mm) compression fitting.

Location Requirements

⚠ WARNING



Explosion Hazard
Keep flammable materials and vapors, such as gasoline, away from appliance.
Use nonflammable cleaner.
Failure to do so can result in death, explosion, or fire.

IMPORTANT: This refrigerator is designed for indoor, household use only.

This appliance is intended to be used in household and similar applications such as:

- Staff kitchen areas in shops, offices and other working environments.
- Farm houses and by clients in hotels, motels and other residential type environments.
- Bed and breakfast type environments.
- Catering and similar non-retail applications.
- Observe all governing codes and ordinances.
- It is recommended that you do not install near an oven, radiator, or other heat source.
- Do not install in a location where the temperature will fall below 55°F (13°C).
- Floor must support the refrigerator weight, more than 600 lbs (272 kg), door panels and contents of the refrigerator. Flooring under refrigerator must be at same level as the room. The face of the cabinetry must be plumb.
- Ceiling height must allow for side tipping radius. See "Tipping Radius."
- Location must permit top grille removal. See "Opening Dimensions."

IMPORTANT

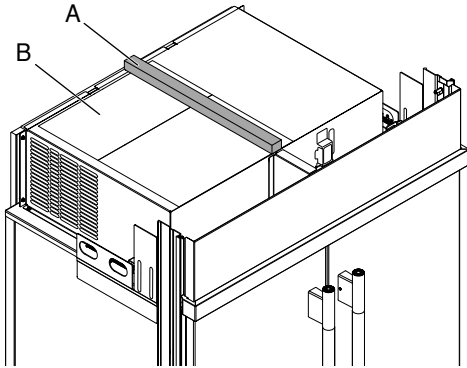
- The cabinet should not be made of pressed fiber material like MDF (Medium Density Fiberboard).
- The bottom panel must consist of 3/4" (19 mm) plywood.
- The 3/4" (19 mm) plywood bottom panel must extend laterally to directly contact the left and right side panels and be securely fastened along its depth.

†TORX is a trademark of Acument Intellectual Properties, LLC.

Opening Dimensions

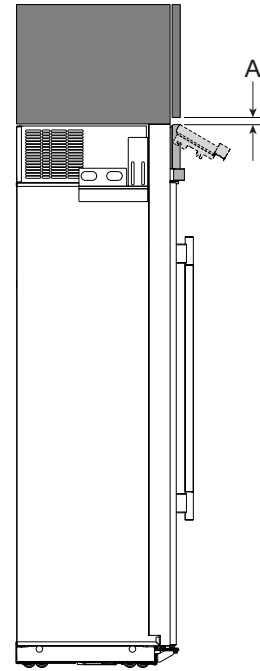
IMPORTANT

- A clearance of 3/4" (19 mm) must be maintained above the top grille in order for the top grille to be removed.
- Do not remove the foam gasket from the top of the compressor cover unless removal is necessary to fit the unit under a soffit. Removal of the gasket will cause loss in cooling efficiency.



A. Gasket
B. Compressor cover

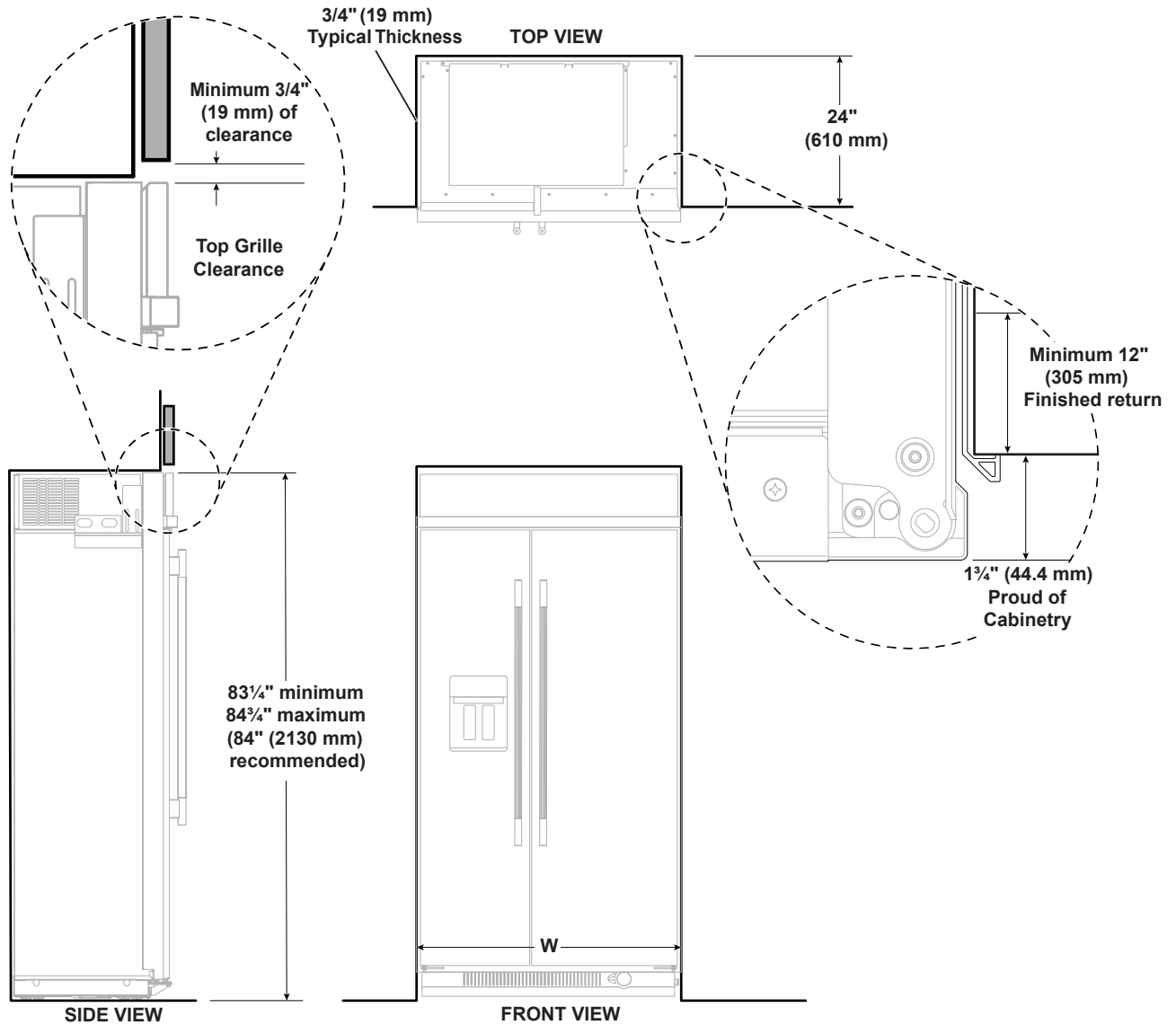
- A grounded 3 prong electrical outlet should be located within a specified number of inches from the right-hand side cabinets or end panel. See the chart following the graphic for the number of inches required for your model. For more information, see "Electrical Requirements."
- The water shut-off should be located in the base cabinet on either side of the refrigerator or some other easily accessible area. If the water shut-off valve is not in the cabinets, the plumbing for the water line can come through the floor. See "Water Supply Requirements" for more information.



A. 3/4" (19 mm) clearance for top grille removal

Standard Installation (24" [610 mm] Cabinet Depth)

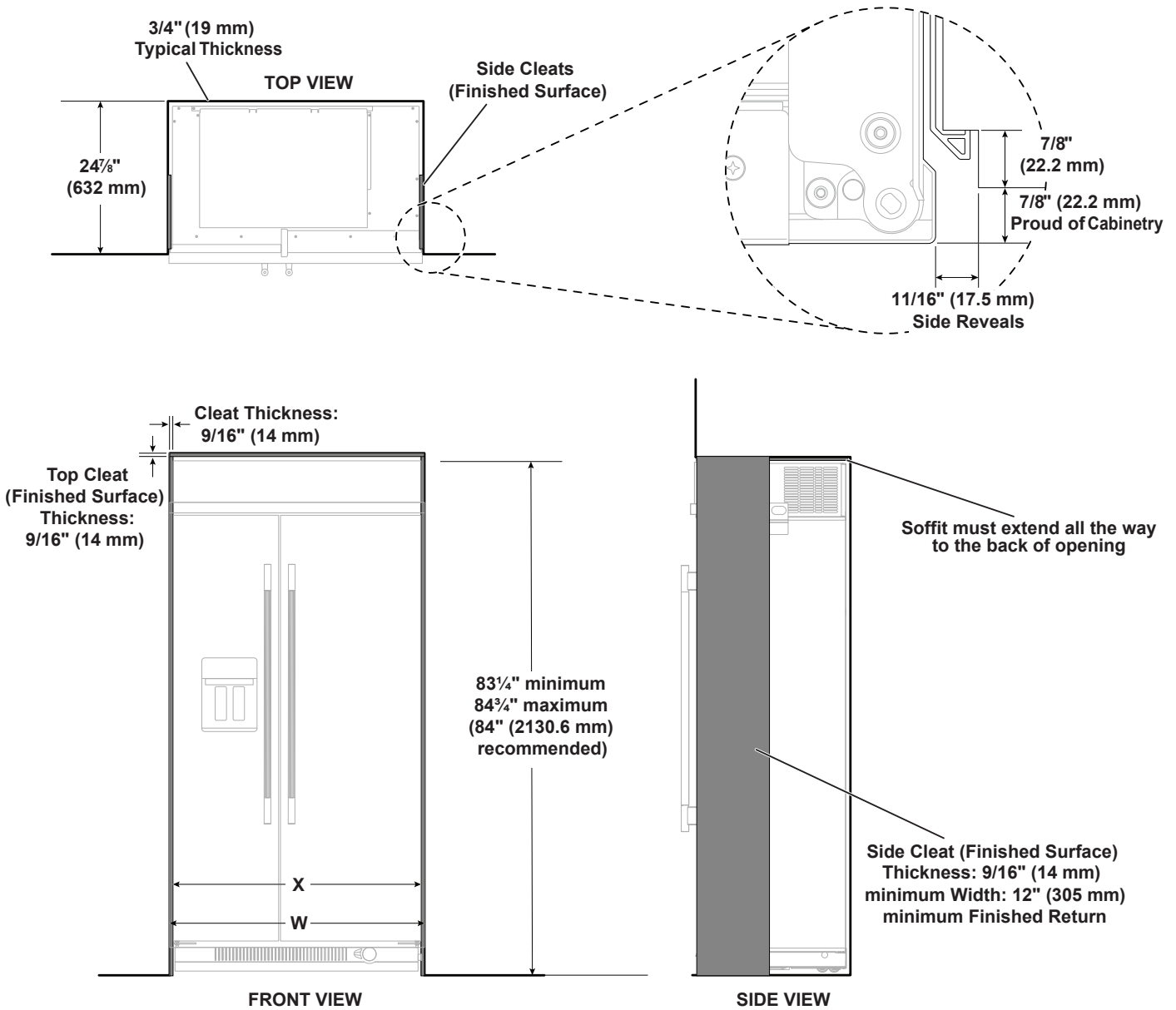
IMPORTANT: The cabinetry side panels will be used to brace the appliance for stability.



Model	Opening Width (W)
36"	35 1/2" to 35 3/4" (902 mm to 908 mm)
42"	41 1/2" to 41 3/4" (1054 mm to 1061 mm)
48"	47 1/2" to 47 3/4" (1207 mm to 1213 mm)

NOTE: Minimum 12" (304.8 mm) finished furniture return (with cosmetic face) and minimum 3/4" (19 mm) panel construction thickness is required. The cabinet must have structural strength support anchoring of the refrigerator.

Overlay Installation (24⁷/₈" [632 mm] Cabinet Depth)

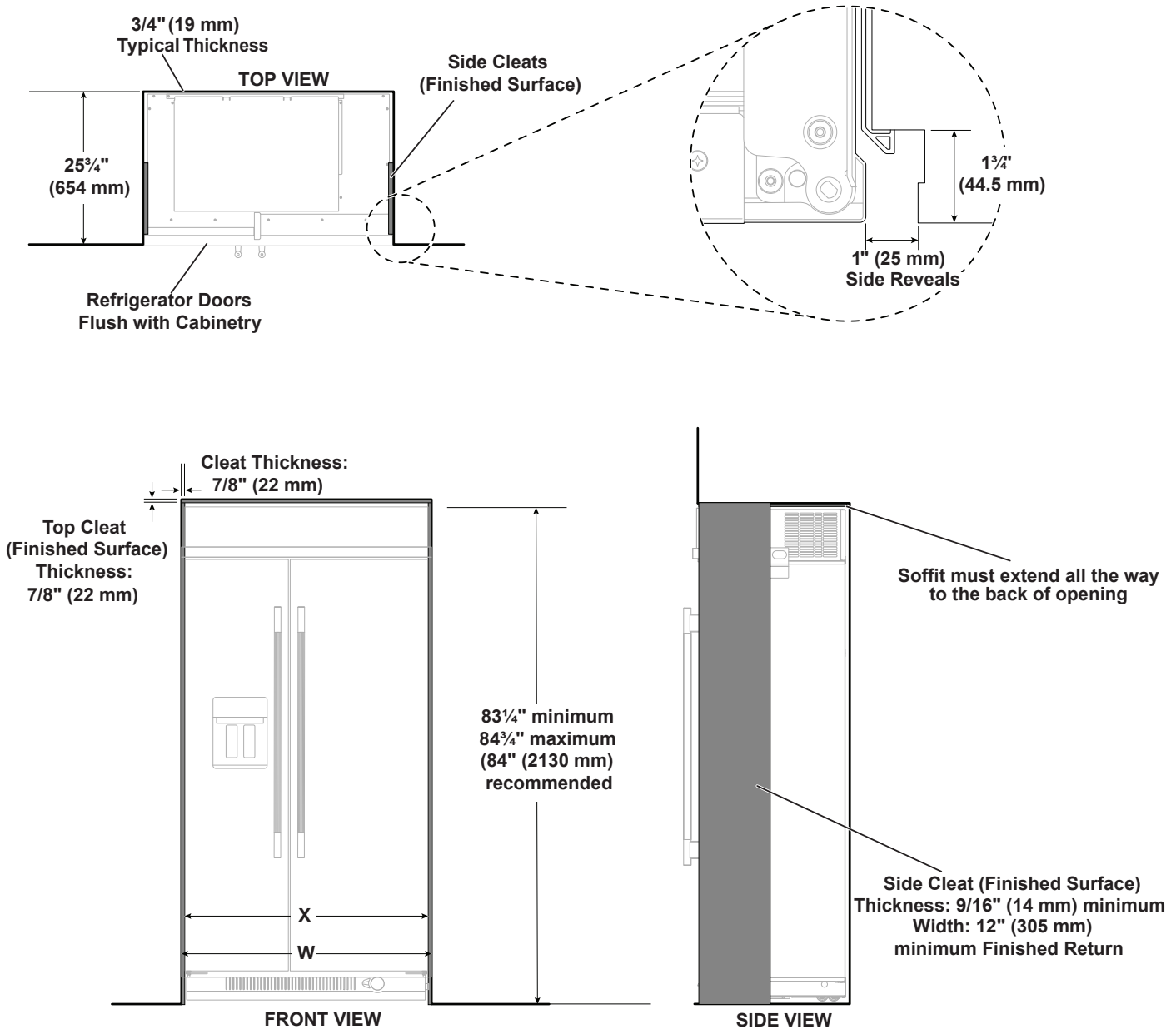


Model	Total Opening Width (W)	Width Between Cleats (X)
36"	36 ⁵ / ₈ " to 36 ⁷ / ₈ " (930 mm to 936 mm)	35 ¹ / ₂ " to 35 ³ / ₄ " (902 mm to 908 mm)
42"	42 ⁵ / ₈ " to 42 ⁷ / ₈ " (1082 mm to 1089 mm)	41 ¹ / ₂ " to 41 ³ / ₄ " (1054 mm to 1061 mm)
48"	48 ⁵ / ₈ " to 48 ⁷ / ₈ " (1235 mm to 1241 mm)	47 ¹ / ₂ " to 47 ³ / ₄ " (1207 mm to 1213 mm)

NOTE:

- After install 9/16" (14 mm) side cleats are visible from the front.
- The cabinet must provide structural support to anchor the refrigerator securely.
- Maximum allowable door swing for flush installation is 110°.
- Minimum 12" (304.8 mm) finished furniture return (with cosmetic face) and minimum 3/4" (19 mm) panel construction thickness is required.

Flush Installation (25³/₄" [654 mm] Cabinet Depth)




Model	Total Opening Width (W)	Width Between Cleats (X)
36"	37 ¹ / ₄ " to 37 ¹ / ₂ " (946 mm to 953 mm)	35 ¹ / ₂ " to 35 ³ / ₄ " (902 mm to 908 mm)
42"	43 ¹ / ₄ " to 43 ¹ / ₂ " (1098 mm to 1105 mm)	41 ¹ / ₂ " to 41 ³ / ₄ " (1054 mm to 1061 mm)
48"	49 ¹ / ₄ " to 49 ¹ / ₂ " (1251 mm to 1257 mm)	47 ¹ / ₂ " to 47 ³ / ₄ " (1207 mm to 1213 mm)

NOTE:

- After install 7/8" (22 mm) side cleats are visible from the front.
- The cabinet must have structural strength support anchoring of the refrigerator.
- Maximum allowable door swing for flush installation is 110°.
- Minimum 12" (304.8 mm) finished furniture return (with cosmetic face) and minimum 3/4" (19 mm) panel construction thickness is required.

Electrical Requirements

⚠ WARNING



Electrical Shock Hazard

- Plug into a grounded 3 prong outlet.**
- Do not remove ground prong.**
- Do not use an adapter.**
- Do not use an extension cord.**

Failure to follow these instructions can result in death, fire, or electrical shock.

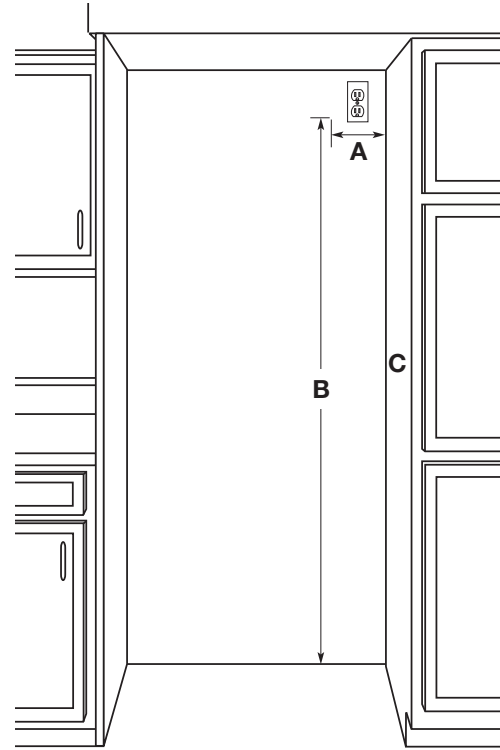
Before you move your refrigerator into its final location, it is important to make sure you have the proper electrical connection. If the supply cord is damaged, it must be replaced by the manufacturer or its service agent or a similarly qualified person. Do not use a cord that shows cracks or abrasion damage along its length or at either the plug or connector end.

Recommended Grounding Method

A 115 V, 60 Hz AC-only 15 A or 20 A fused, grounded electrical supply is required. It is recommended that a separate circuit serving only your refrigerator and approved accessories be provided. Use an outlet that cannot be turned off by a switch. Do not use an extension cord.

IMPORTANT: If this product is connected to a GFCI (Ground Fault Circuit Interrupter) protected outlet, nuisance tripping of the power supply may occur, resulting in loss of cooling. Food quality and flavor may be affected. If nuisance tripping has occurred, and if the condition of the food appears poor, dispose of the food.

NOTE: Before performing any type of installation or cleaning, remove the top grille and turn the master power switch to OFF or disconnect power at the circuit breaker box. When you are finished, turn ON the master power switch or reconnect power at the circuit breaker box. Then reset the control to the desired setting.



B. 77" (1956 mm) from floor
C. From right side of cabinet opening.

Model	Electrical Location Dimension A
36"	4" (102 mm)
42"	7½" (191 mm)
48"	13½" (343 mm)

Water Supply Requirements

IMPORTANT:

- All installations must meet local plumbing code requirements.
- Connect to potable water supply only.

Water Pressure

A cold water supply with water pressure between 30 psi and 120 psi (207 kPa and 827 kPa) is required to operate the water dispenser and ice maker. If you have questions about your water pressure, call a licensed, qualified plumber.

NOTE: If the water pressure is less than what is required, the flow of water from the water dispenser could decrease or ice cubes could be hollow or irregular shaped. If you have questions about your water pressure, call a licensed, qualified plumber.

Reverse Osmosis Water Supply

IMPORTANT: The pressure of the water supply coming out of a reverse osmosis system going to the water inlet valve of the refrigerator needs to be between 30 psi and 120 psi (207 kPa and 827 kPa).

If a reverse osmosis water filtration system is connected to your cold water supply, the water pressure to the reverse osmosis system needs to be a minimum of 40 psi to 60 psi (276 kPa to 414 kPa).

If the water pressure to the reverse osmosis system is less than 40 psi to 60 psi (276 kPa to 414 kPa):

- Check to see whether the sediment filter in the reverse osmosis system is blocked. Replace the filter if necessary.
- Allow the storage tank on the reverse osmosis system to refill after heavy usage.
- If your refrigerator has a water filter, it may further reduce the water pressure when used in conjunction with a reverse osmosis system. Remove the water filter cartridge.

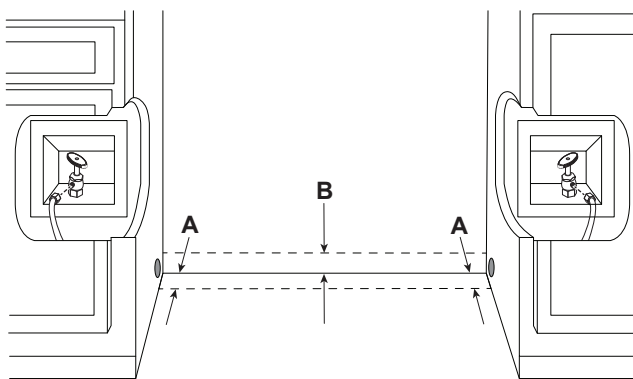
If you have questions about your water pressure, call a licensed, qualified plumber.

Water Shut-off Valve

IMPORTANT:

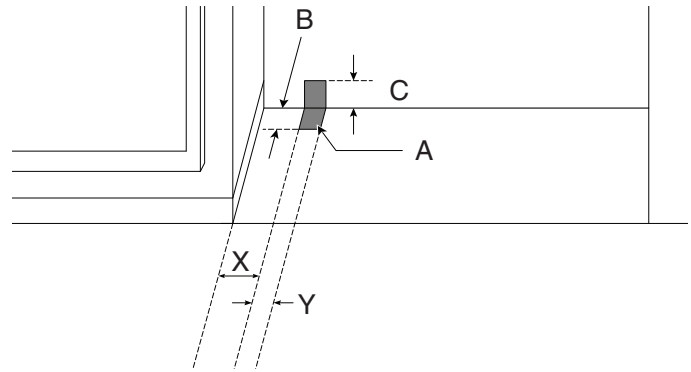
- Keep water valves/lines above 32°F (0°C) to prevent freezing.
 - There is not enough clearance to achieve a flush installation if a water shut-off valve is located in the wall behind the refrigerator.
 - The water shut-off should be located in the base cabinet on either side of the refrigerator or some other easily accessible area. The right-hand side is recommended. The access hole through the cabinet must be within 1/2" (13 mm) of the rear
- NOTE:** If the water shut-off valve is in the back wall behind the refrigerator, it must be at an angle so that the tube is not kinked when the refrigerator is pushed into its final location.
- If the water shut-off valve is not in the cabinets, the plumbing for the water line can come through the floor. A 1/2" (12.7 mm) hole for plumbing should be drilled at least 6" (152 mm) from the right-hand or left-hand side cabinet or panel. On the floor, the hole should be no more than 1" (25.4 mm) away from the back wall. See "Connect the Water Supply."
 - If additional tubing is needed, use copper tubing and check for leaks. Install the copper tubing only in areas where the household temperatures will remain above freezing.
 - Do not use a piercing-type or 3/16" (4.76 mm) saddle valve, which reduces water flow and also clogs more easily.
- NOTE:** Your refrigerator dealer has a kit available with a 1/4" (6.35 mm) saddle-type shut-off valve, a union, and copper tubing. Before purchasing, make sure a saddle-type valve complies with your local plumbing codes.

Style 1: Shut-off Valve Located in the Adjacent Cabinet



- A. Waterline access hole to be within 1/2" (13 mm) from back wall.
- B. 1/2" (13 mm)

Style 2: Alternate Valve Location - Plumbing through floor



- A. Waterline hole location zone
- B. 2" (50.8 mm)
- C. 3 1/4" (83 mm)

Standard Installation: Reference the cabinet panel for measurement.

Overlay and Flush Installation: Reference the cleat for measurement.

Model	X	Y
36"	6 1/8" (156 mm)	1 7/16" (37 mm)
42"	6 1/8" (156 mm)	3 15/16" (100 mm)
48"	6 1/8" (156 mm)	6 7/16" (164 mm)

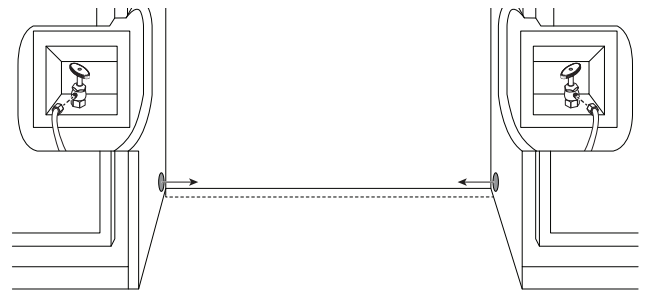
Locating the Waterline

Parts Needed

- Minimum 7 ft (2.13 m) flexible, codes-approved water supply line depending on shut-off valve location.

Style 1: Shut-off Valve Located in the Adjacent Cabinet

Water Line: Route code-approved line from shut-off through cabinet hole.



IMPORTANT: Route and tape the waterline along the wall, to prevent kinking during refrigerator placement.

INSTALLATION INSTRUCTIONS

Unpack the Refrigerator

⚠ WARNING



Tip Over Hazard

Refrigerator is top heavy and tips easily when not completely installed.

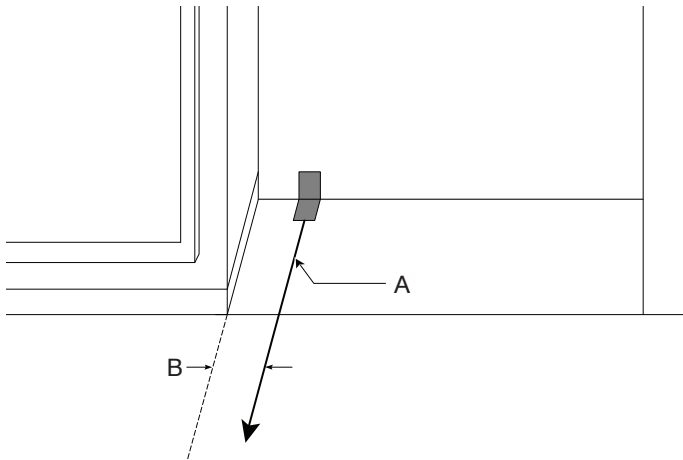
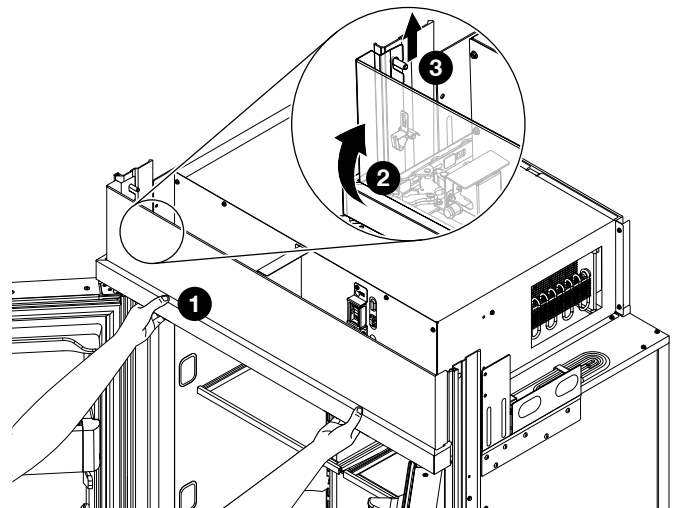
Keep doors taped closed until refrigerator is completely installed.

Use two or more people to move and install refrigerator.

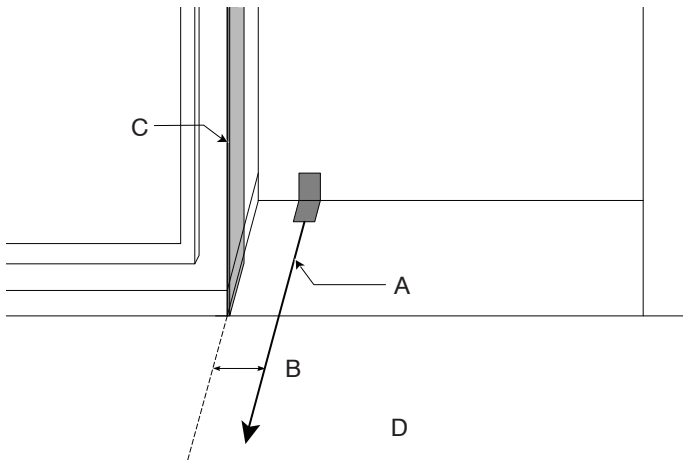
Failure to do so can result in death or serious injury.

IMPORTANT:

- Do not remove the film covering until the refrigerator is in its operating location.
 - All four leveling legs must contact the floor to support and stabilize the full weight of the refrigerator.
 - Keep the cardboard shipping piece or plywood under the refrigerator until it is installed in the operating location.
1. Remove and save the literature package bag taped to the side of the refrigerator and the parts bag behind the grille. Remove the four brackets (two on each side) that hold the shipping base to the bottom of the refrigerator.
NOTE Do not remove tape and door bracing until the refrigerator is in its final location.
 2. Remove the top grille from the refrigerator.



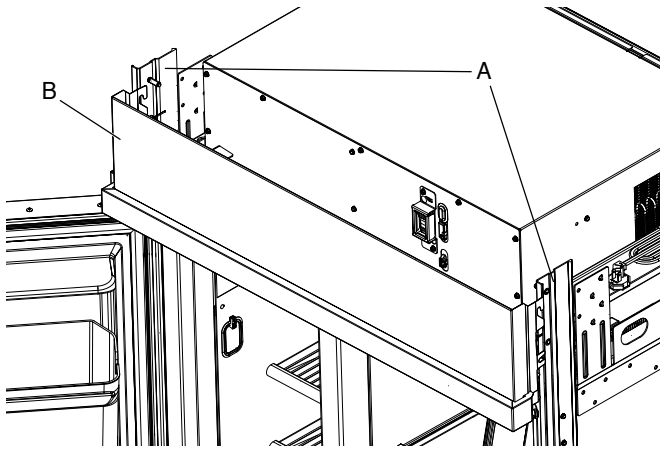
- A. Waterline routing
- B. 7 1/2" (190 mm)



- A. Waterline routing
- B. 7 1/2" (190 mm)
- C. 12" (305 mm) Side cabinet
- D. Flush installation or Overlay installation

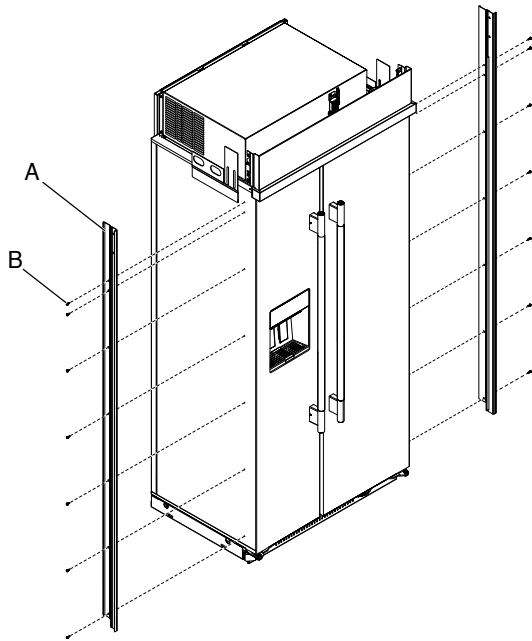
NOTE: Allow a minimum of 26" (660 mm) of flexible codes-approved water supply line to extend in front of the cabinet opening to connect to the refrigerator.

- Push the top grille straight up; then pull straight out. Lay the grille on a soft surface.



A. Cabinet side trim
B. Top grille

- Remove the two side trims which support the grille from the refrigerator by unscrewing the seven 1/4" hex screws. Save the screws and trims for assembly prior to installing the unit in the cabinetry.



A. Side trims
B. Screws

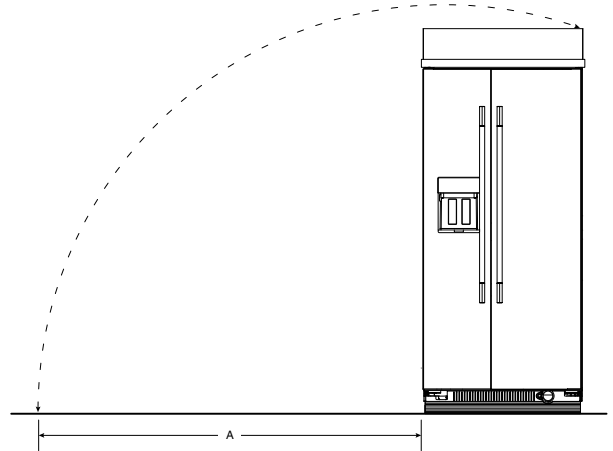
- Open doors and remove tape from the front of the refrigerator cabinet.

NOTE: Before bringing the refrigerator into the home, be sure there is adequate ceiling height to stand the refrigerator upright.

Tipping Radius

- The minimal tipping radius has the grille and side trims removed from the refrigerator.
- The side tipping radius varies depending upon the width of the model.
- Use the table below to determine the side tipping radius.

NOTE: Tip on side only.



NOTE: Tipping Radius dimensions below are with upper grille and side trims removed.

Model	Tipping Radius
36"	83 1/2" (2121 mm)
42"	83" (2108 mm)
48"	83" (2109 mm)

Move the Refrigerator Near Final Location

⚠ WARNING



Tip Over Hazard

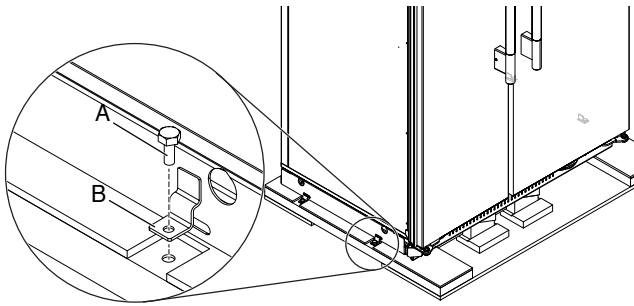
Refrigerator is top heavy and tips easily when not completely installed.

Keep doors taped closed until refrigerator is completely installed.

Use two or more people to move and install refrigerator.

Failure to do so can result in death or serious injury.

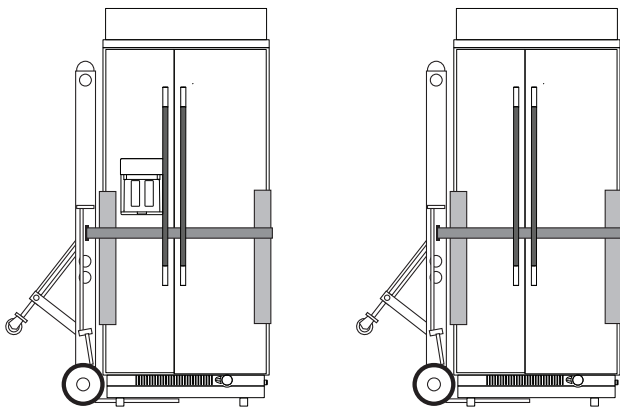
1. Use a cordless drill with 1/2" socket to remove the four leg screws holding the refrigerator to the shipping base. Discard bolts and retaining clips.



A. Screws
B. Brackets

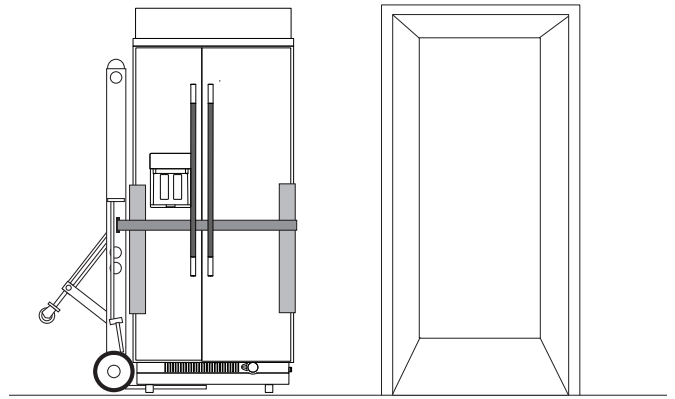
2. Place an appliance dolly under the left side of the refrigerator as shown.
3. Place the corner posts from the packing materials over the trims as appropriate. Slowly tighten the strap.

IMPORTANT: Do not strap the appliance over the dispenser area, UI controls, or handles. Pass the dolly strap under the handles.



4. Place side pieces of the shipping carton in front of the cabinetry opening and on the floor when rolling the dolly into the house.

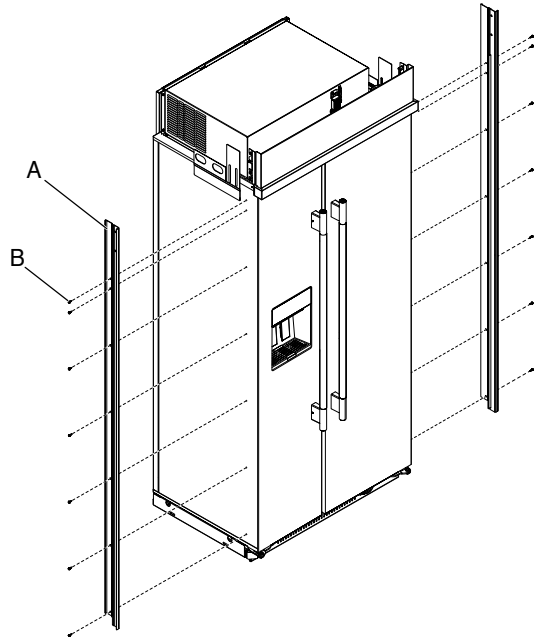
5. Move the refrigerator in front of the built-in cabinet opening.



6. Place top of cardboard carton or plywood under refrigerator.
7. Reassemble side trims using the 1/4" screws and top grille, after the dolly has been removed from the refrigerator. Please refer to the "Unpack the Refrigerator" section.

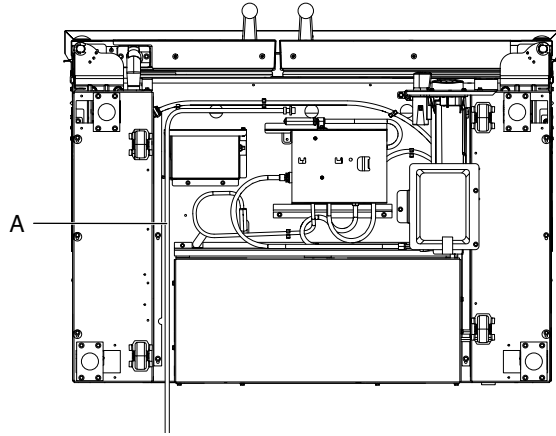
Re-install the Side Trims

1. Reinstall the side trims on the refrigerator using the seven 1/4" drive screws on each cabinet side.



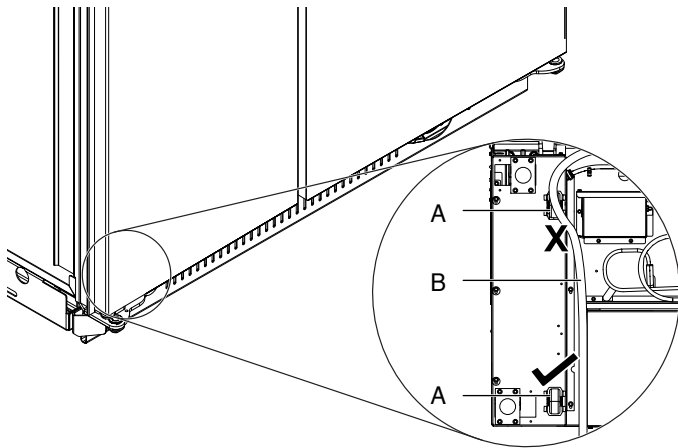
A. Side trims
B. Screws

- Align and route the remaining length of the water supply line under the refrigerator opening specified.



A. Water supply line

IMPORTANT: Avoid passing water line under the refrigerator roller wheels to avoid kinking of the waterline.



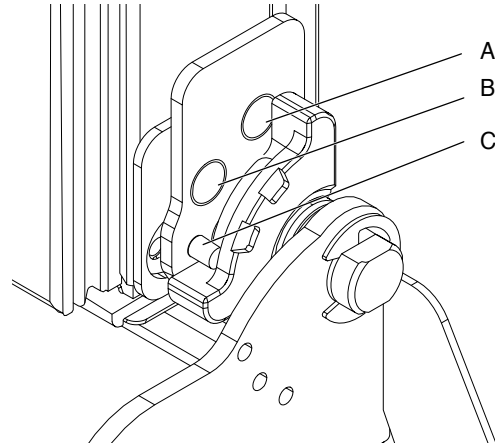
A. Roller wheels
B. Water supply line

Door Swing Adjustment

There are three maximum door swing settings - 90°, 110°, and 130°.

Bottom Hinges

- Check that the refrigerator door can open freely. If the door opens too wide, remove the door stop screw or screws (depending on your model) from the bottom hinge.
- Hold the door open to a position that is less than 90°.
- Replace the door stop screw or screws in the bottom hinge and tighten.

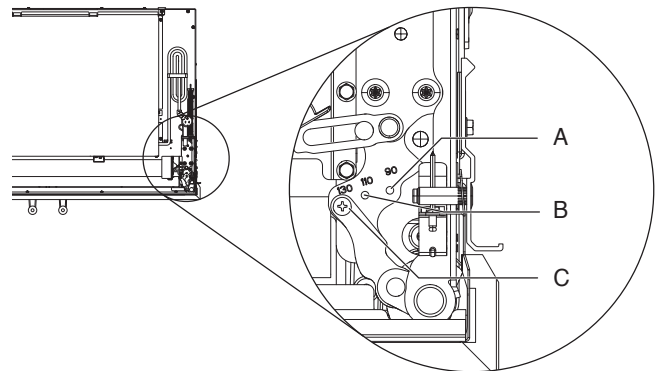


A. 130° position
B. 110° position
C. 90° position

Top Hinges

Make sure that the door swing adjustment for both bottom and top hinges is consistent.

- Close both the doors.
- Remove the door swing adjustment screw. And re-install in required door swing position.



A. 90° position
B. 110° position
C. 130° position door swing adjustment screw

Plug in Refrigerator

⚠ WARNING



Electrical Shock Hazard

Plug into a grounded 3 prong outlet.

Do not remove ground prong.

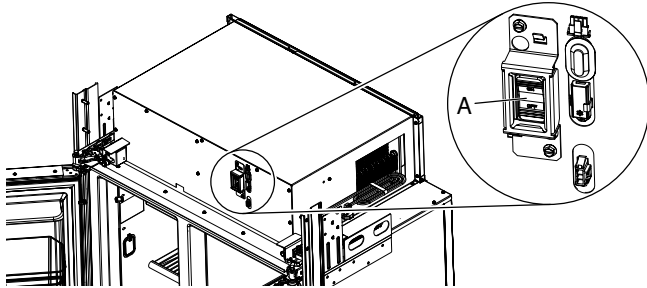
Do not use an adapter.

Do not use an extension cord.

Failure to follow these instructions can result in death, fire, or electrical shock.

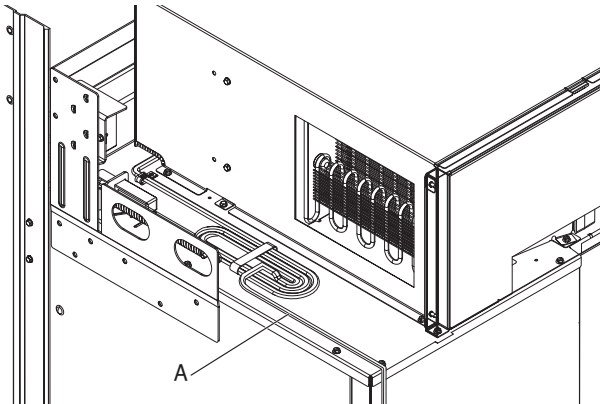
If the supply cord is damaged, it must be replaced by the manufacturer or its service agent or a similarly qualified person. Do not use a cord that shows cracks or abrasion damage along its length or at either the plug or connection end.

1. Set control switch at top of cabinet to the OFF position.



A. Power switch

2. Plug into a grounded 3-prong outlet.
3. Neatly coil and secure any excess power cord on top of the refrigerator cabinet next to the machine compartment, ensuring it does not hang down between the refrigerator and the surrounding cabinetry.



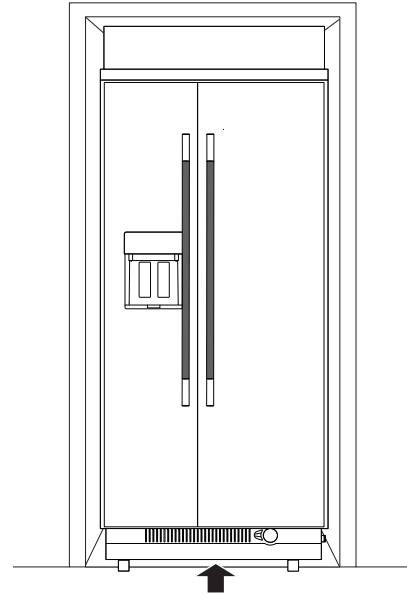
A. Power cord

Move the Refrigerator into Cabinet Opening

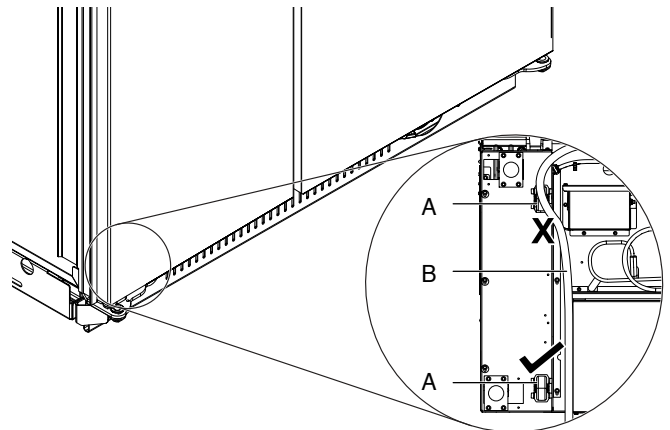
Move the Refrigerator into Cabinet Opening

1. Be sure that the leveling legs are fully raised to avoid damage to the floor.
2. Carefully roll the refrigerator back evenly into the cabinetry opening guiding it to avoid interference with the sides until the refrigerator side trims capture the cabinetry front. See illustration.

NOTE: If the water shut-off is at the back of the unit, you must connect it now or add another shut-off at the front of the unit and open the one at the back of the unit.



3. Visually inspect that the power cord and waterline were not trapped or pinched.



A. Roller wheels
B. Water line

Level and Align Refrigerator

⚠ WARNING



Tip Over Hazard

Refrigerator is top heavy and tips easily when not completely installed.

Keep doors taped closed until refrigerator is completely installed.

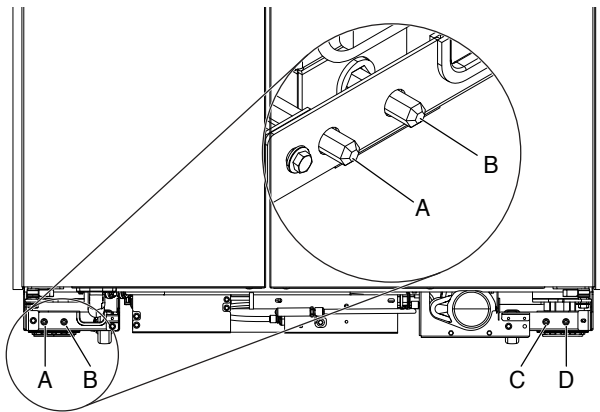
Use two or more people to move and install refrigerator.

Failure to do so can result in death or serious injury.

IMPORTANT: All four leveling legs must contact the floor to support and stabilize the full weight of refrigerator. Rollers are for moving the refrigerator, not for permanent support.

After moving the refrigerator to its final location:

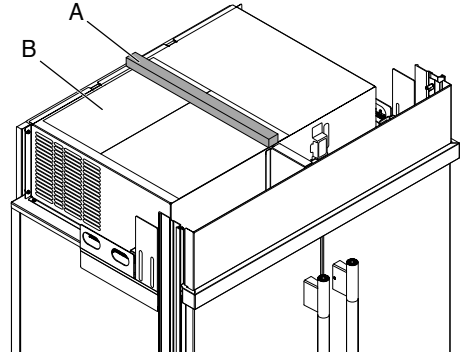
1. Use a cordless drill set to a low speed and low torque setting, and use a 5/16" socket driver to slowly turn the leveling bolts clockwise until the legs make firm contact with the floor.



- A. Rear leveling bolt
- B. Front leveling bolt
- C. Rear leveling bolt
- D. Front leveling bolt

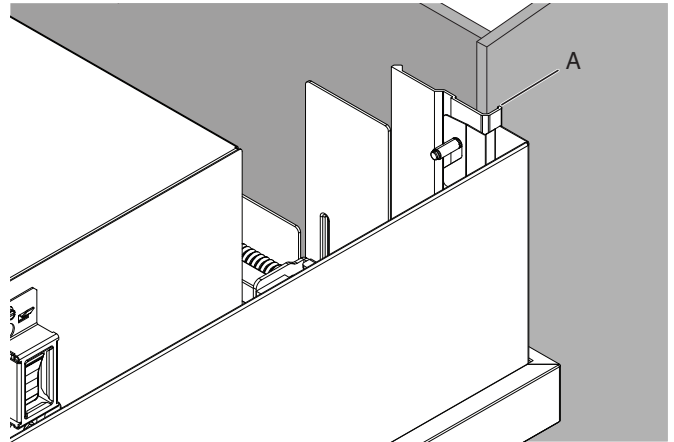
2. Adjust each leg 1/4" (6 mm) at a time, then move to the next leg.

3. Adjust the leveled legs to level and align the refrigerator from left to right and back to front (Repeat as needed) until the refrigerator is levelled with the cabinet.



- A. Gasket
- B. Compressor cover

4. Height of the refrigerator should be adjusted such that the machine compartment compresses the top gasket to the cabinet soffit and the side trims fit tight to the front and top of the cabinet surface.



- A. 0" (close gap)

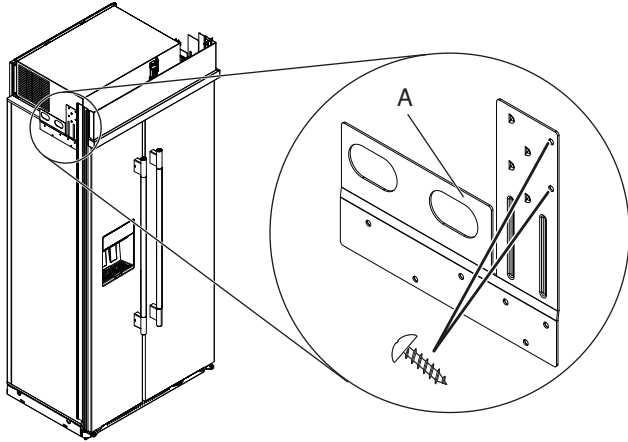
NOTE: The cabinetry surface must be plumb for the ideal fit of the refrigerator side trim.

Secure the Refrigerator in the Cabinet Opening

IMPORTANT:

- Make sure you complete all adjustments before securing the refrigerator.
- The use of installation brackets is required to provide product anchoring and anti-tipping.

Top Installation Brackets



A. Top installation brackets

1. Using the #8 x 3/4" wood screws, secure both the top installation brackets to both left and right cabinet side cleats/returns.

NOTE: Minimum two wood screws are recommended for securing each top installation bracket.

Connect the Water Supply

Read all directions before you begin.

IMPORTANT:

- Before attaching the water supply line to the refrigerator, flush the water line.
- Flushing ensures no kinks, clears particles, and prevents clogs.
- If you plug in the refrigerator before connecting the water line, make sure to turn the ice maker OFF.
- Connect to potable water supply only.

Do not use with water that is microbiologically unsafe or of unknown quality without adequate disinfection before or after the system. Systems certified for cyst reduction may be used on disinfected waters that may contain filterable cysts.

1. Place the end of the water supply line into a bucket.



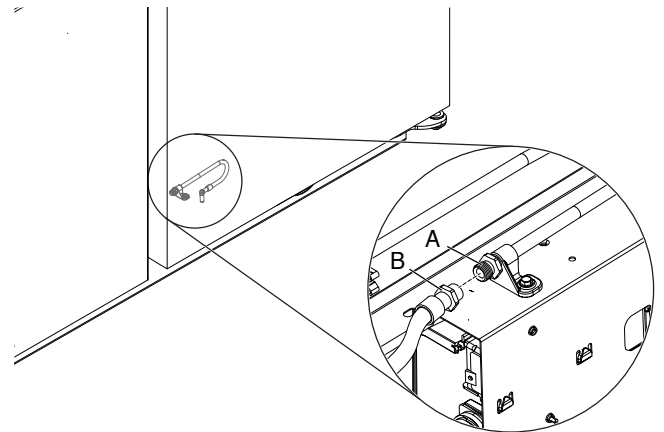
2. Open the main water shut-off valve to the on position. Be prepared for the water to flow freely from the line.
3. Flush the water line for at least one minute, or until the water runs clear.



4. Close the main water shut-off valve.

NOTE: Optional: add in-line 1/4 turn shut-off for easy access.

5. Connect the waterline to the fridge inlet (bottom front of the fridge cabinet).



A. Water connection inlet
B. Household waterline

6. Use two adjustable wrenches to tighten the connection. One wrench should hold the valve fitting steady, while the other tightens the waterline nut. Do not overtighten.
7. Turn on water, inspect for leaks at all waterline connections including the shut-off valve and re-tighten if needed.

Adjust Doors

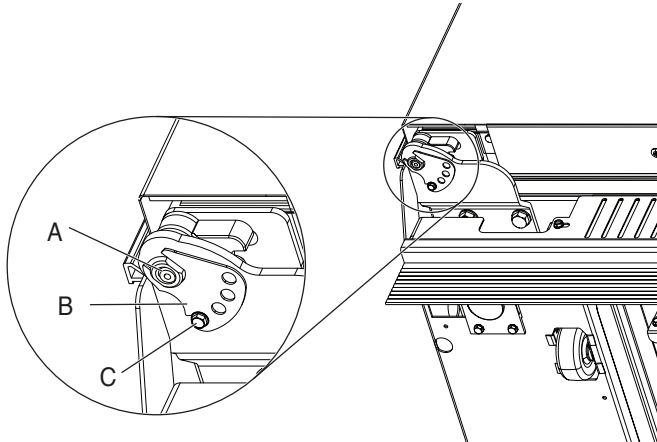
Pinch Hazard

CAUTION: Installation of door panels with less than a 3/8" (9.5 mm) gap between the door panel and the adjacent cabinet increases the risk of potential pinching.

Door Height Adjustment

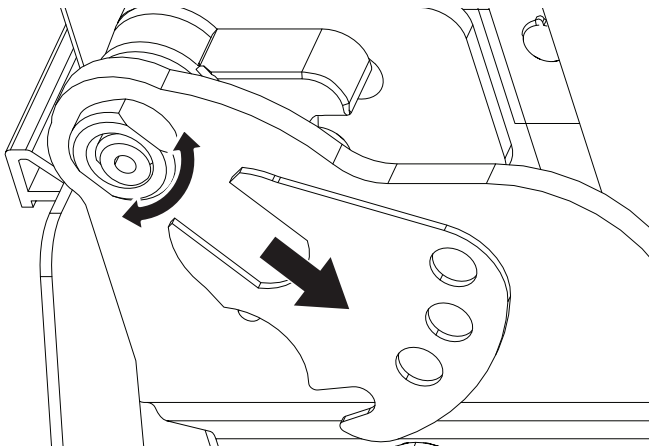
Use the following steps to adjust the door height, up or down, after the doors have been leveled.

1. Open the freezer or refrigerator door. Locate the bottom hinge and remove the door stop screw.
2. Remove the door stop screw from the bottom side of the hinge with a 3/8" open end wrench.



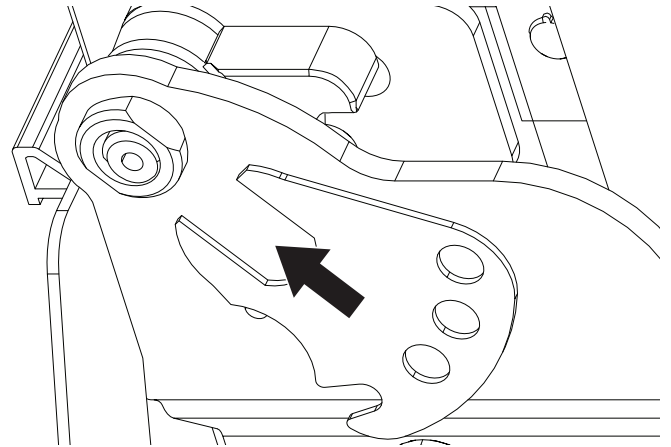
- A. Bushing
- B. Locking plate
- C. Door stop screw

3. Remove the locking plate from the bushing as shown.



4. Turn the bushing located underneath the bottom of the hinge using a 1/2" open end wrench. Turning the bushing to the left will lower the door. Turning the bushing right will raise the door.
5. After adjusting, check the doors to make sure they are even at the top and bottom. If the doors are not even, continue to turn the bushing to adjust the door height.

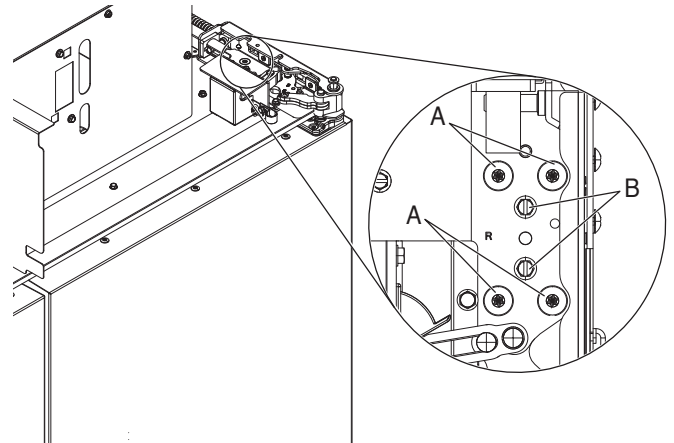
6. Replace the locking plate.



7. Turn the bushing slightly to align the hinge and locking plate screw holes.
8. Replace the door stop screw or screws and tighten.
9. Recheck to make sure the doors are aligned and even.

Door-to-Door or Door-to-Refrigerator Trim Adjustment

1. Loosen, but do not remove, the four Torx®† T27 flat-head mounting screws. Remove and discard the two 1/4" hex-head mounting screws.
2. Adjust the top hinge of either door to align it with the other door or the refrigerator trim.
3. Tighten the four Torx T27 flat-head mounting screws to a torque of approximately 100 inch-pounds (11.3 Nm).



- A. Torx T27 flat-head mounting screws
- B. 1/4" hex-head mounting screws

†TORX is a trademark of Acument Intellectual Properties, LLC.

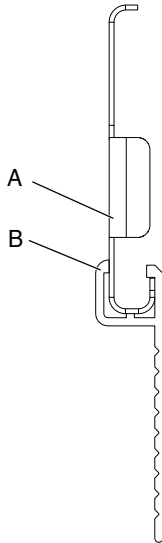
Install Base Grille

There are two pieces to the base grille to allow for a custom fit: the base grille itself and the skirt. The skirt can be added to the base grille in order to extend it all the way to the floor.

1. To see whether the skirt is needed, place the base grille into position. Do not attach the base grille to the refrigerator. Measure the distance between the bottom of the base grille and the floor. The gap must be a minimum of 1/2" (12.7 mm) in order to add the skirt.

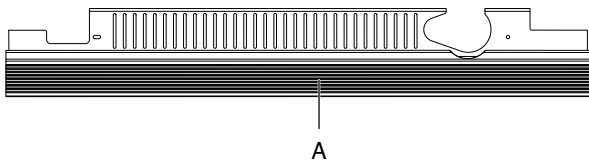
NOTE: If the gap measures less than 1/2" (12.7 mm), skip steps 3 and 4 of the instructions, and install the base grille only.

2. Remove the film from the base grille.
3. Snap the skirt onto the base grille.



A. Base grille
B. Skirt

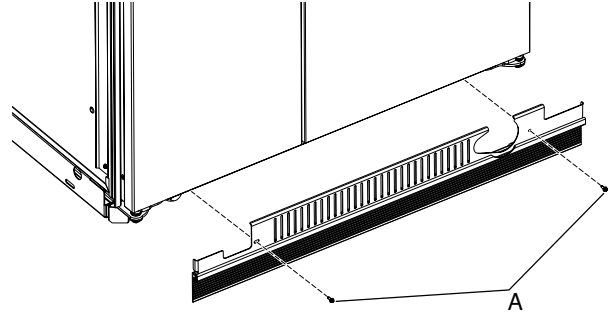
4. Trim the skirt by scoring the proper "V" groove with a utility knife. Break the skirt at the score line.



A. "V" groove

5. Using the 2 screws, attach the base grille assembly to the refrigerator as shown.

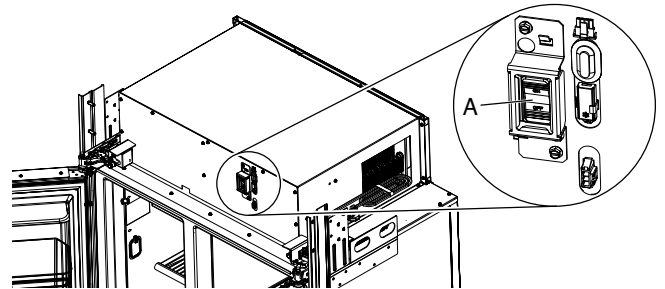
NOTE: Drive in the right side screw first.



A. Screws (2)

Complete the Installation

1. Turn the water supply line valve to the "Open" position.
2. Turn the refrigerator switch to the ON position. See "Power On/Off Switch" in the Owner's Manual for instructions. Wait a few minutes. Check the water line connections for leaks.



A. Power switch

3. Remove all boxes, parts packages and packing materials from the interior of the refrigerator. See the "Cleaning" section in the Owner's Manual for instructions. Remove the film and cardboard from the grille and doors or door frame, depending on your model.
4. Install the shelves and bins in the refrigerator and freezer compartments.
5. The controls are preset at the factory to the midpoint setting. Make sure the compressor is operating properly and that all the lights are working.
6. If construction will continue after the refrigerator has been installed, set the controls to OFF.
7. To get the most efficient use from your new built-in refrigerator, read the Owner's Manual. Keep Installation Instructions near the built-in refrigerator for easy reference.

Water System Preparation

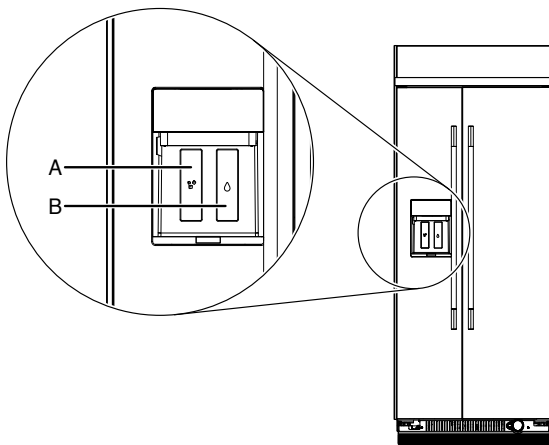
Please read before using the water system. Follow the instructions specific to your refrigerator model.

- Connect to potable water supply only.
- Make sure the water valve is ON before you call for service.
- Do not use with water that is microbiologically unsafe or of unknown quality without adequate disinfection before or after the system. Systems certified for cyst reduction may be used on disinfected waters that may contain filterable cysts.

NOTE:

- After installing/replacing the water filter, allow 24 hours for the first ice production.
- Discard the first full bin of ice.
- The ice container will then fill completely around 3 days of time, depending on the ice and freezer usage.
- Make sure the base grille filter is properly installed and the filter cap is in the horizontal position.

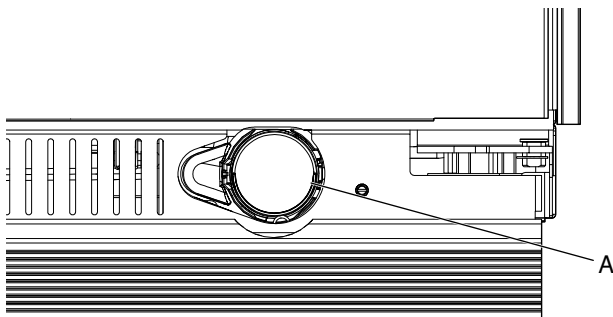
Style 1 (Dispenser Models)



A. Ice Dispenser
B. Water Dispenser

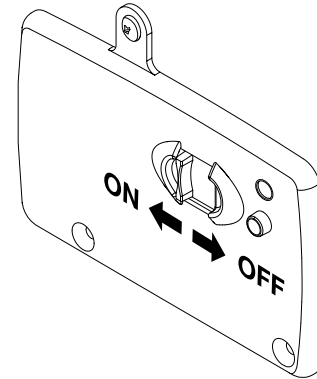
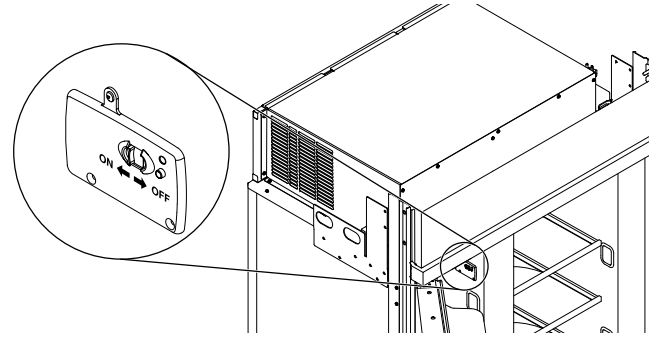
IMPORTANT: After connecting the refrigerator to a water source or replacing the water filter, follow the steps below to make sure that the water system is properly cleaned. This will flush air from the filter and water dispensing system, and prepare the water filter for use.

NOTE: If your model has a base grille filter system, make sure the base grille filter is properly installed and the cap is in the horizontal position.



A. Water filter

1. Open the freezer door and turn off the ice maker. The ON/OFF switch is located on the top right side of the freezer compartment. Move the switch to the OFF (right) setting as shown.

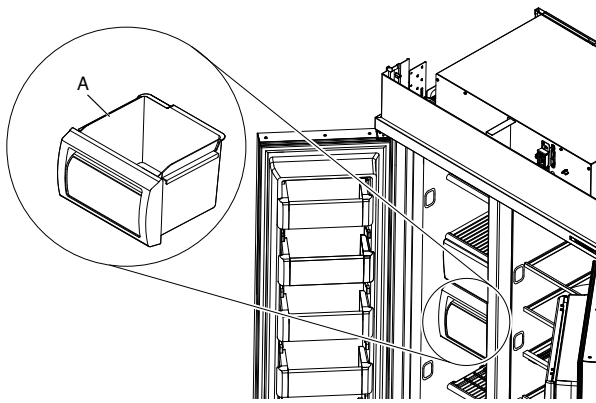


2. Use a sturdy container to depress and hold the water dispenser lever for 5 seconds, then release it for 5 seconds. Repeat until water begins to flow. Once water begins to flow, continue depressing and releasing the dispenser lever (5 seconds on, 5 seconds off) until a total of 3 gallons (12 L) has been dispensed. This will flush air from the filter and water dispensing system, and prepare the water filter for use. Additional flushing may be required in some households.

NOTE: As air is cleared from the system, water may spurt out of the dispenser.

3. Open the freezer door and turn on the ice maker. Move the switch to the ON (left) position.

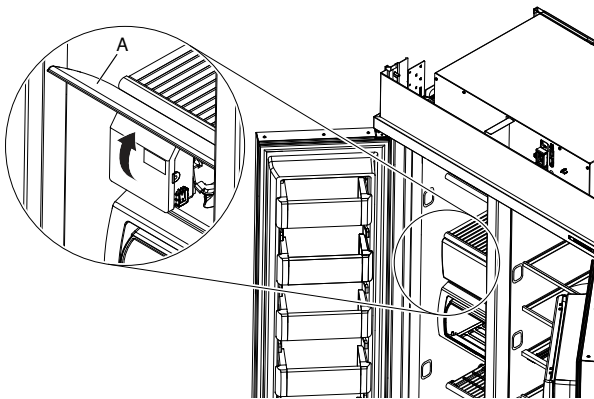
Style 2 (Non-Dispenser Models)



A. Ice drawer

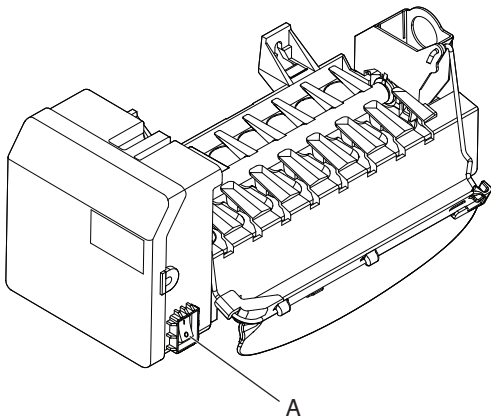
To turn ON or OFF the ice maker:

1. Flip up the ice maker cover.



A. Ice maker cover

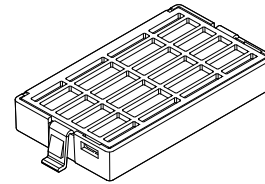
2. Use the switch to turn ON or OFF the ice maker.



A. Ice maker switch

Odor Absorber (FreshFlow™ Air Filter)

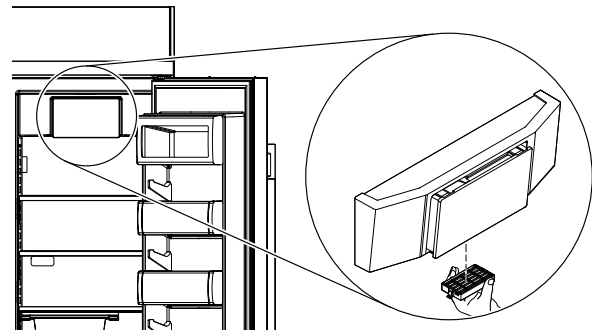
Your refrigerator's accessory packet includes a FreshFlow™ Air Filter, which must be installed prior to use. Please refer to the installation instructions for more information.



The odor absorber reduces the buildup of odors. This helps to maintain a cleaner environment inside the refrigerator.

Installing the Odor Absorber

The absorber should be installed behind the vented door, which is located (depending on your model) along either the rear or left interior wall near the top of the refrigerator compartment.



1. Remove the odor absorber from its packaging.
2. Snap the absorber in to place.

Replacing the Odor Absorber

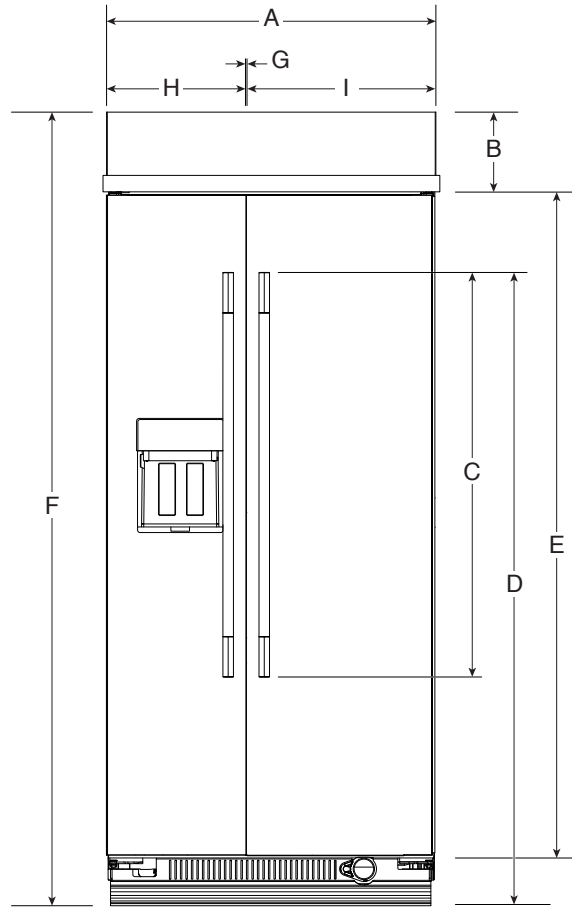
The disposable odor absorber should be replaced every 6 months, when the status indicator has completely changed from white to red.

To replace odor absorber, order replacement part **W10311524** online.

- Remove the old odor absorber by squeezing in on the side tabs.
- Install the new odor absorber and status indicator using the instructions in the previous sections.

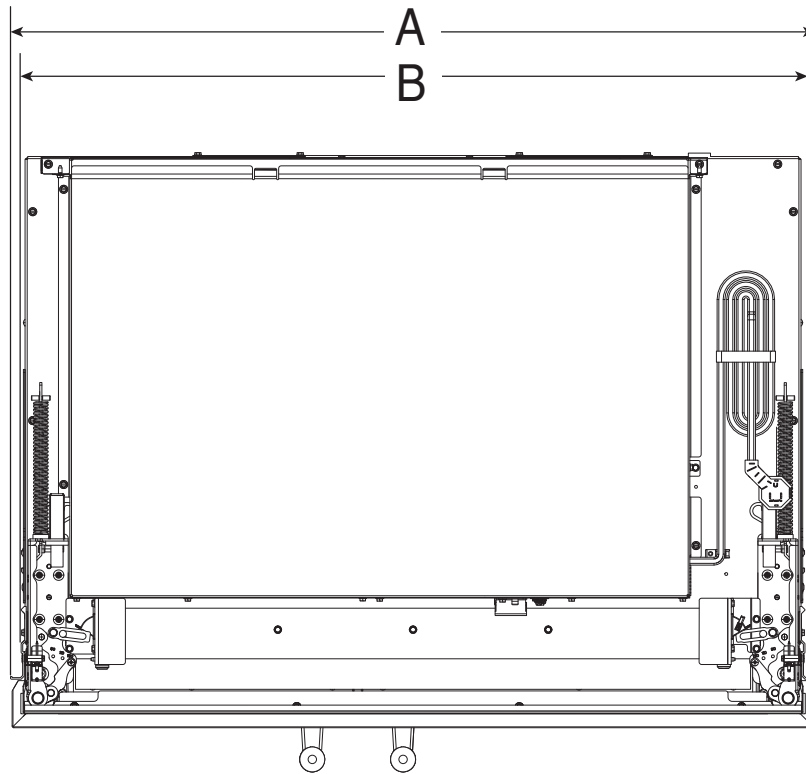
Additional Product Dimensions

Front View



Dimension		36" Model	42" Model	48" Model
A	Overall Width	36 ³ / ₈ " (923 mm)	42 ⁵ / ₁₆ " (1075 mm)	47 ³ / ₁₆ " (1199 mm)
B	Top Grille Height	8 ¹⁵ / ₁₆ " (226.45 mm)		
C	Handle Height	43 ⁷ / ₁₆ " (1103 mm)		
D	Height Till Top of the Handle	66" (1677 mm)		
E	Door Height	70 ⁷ / ₈ " (1800 mm)		
F	Overall Height	83 ¹ / ₄ " (2115 mm)		
G	Door Gap	1/4" (6.61 mm)		
H	Freezer Door Width	15" (380.86 mm)	17 ¹ / ₂ " (444.36 mm)	20" (508.54 mm)
I	Refrigerator Door Width	20" (507.6 mm)	23 ⁷ / ₁₆ " (595.5 mm)	27" (685.4 mm)

When leveling legs are fully extended to 1¹/₄" (32 mm) below rollers, add 1¹/₈" (29 mm) to the height dimensions.

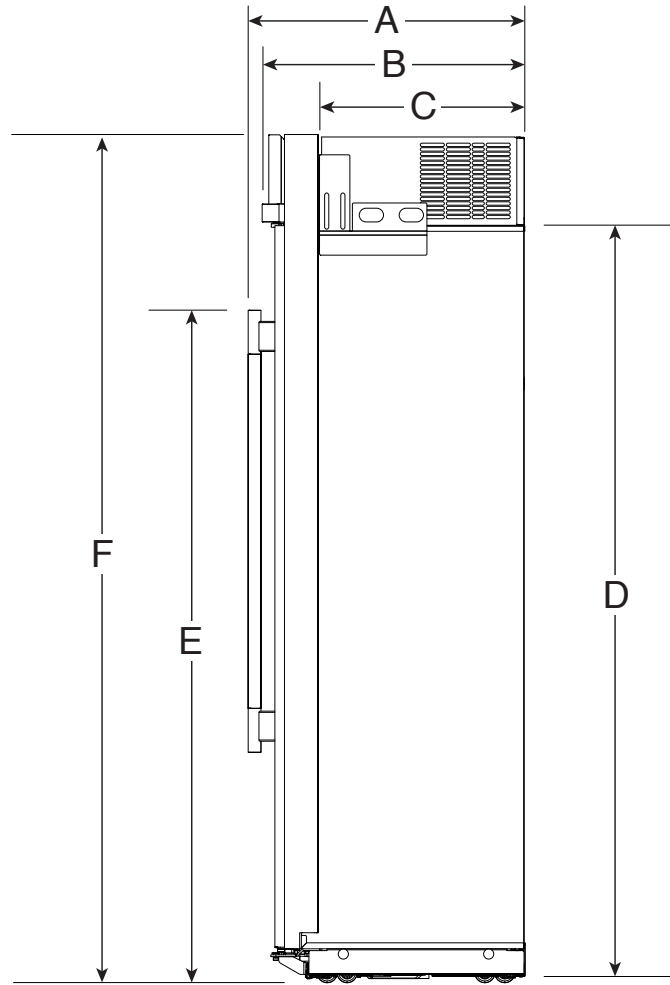


Dimension		36" Model	42" Model	48" Model
A	Overall Width With Trims	36 ⁵ / ₁₆ " (923.16 mm)	42 ⁵ / ₁₆ " (1075.5 mm)	48 ³ / ₈ " (1228 mm)
B	Overall Width	35 ³ / ₈ " (898 mm)	41 ⁵ / ₁₆ " (1050 mm)	47 ³ / ₁₆ " (1199 mm)

NOTE: Overall width dimension is measured from side trim edge to side trim edge.

Side View

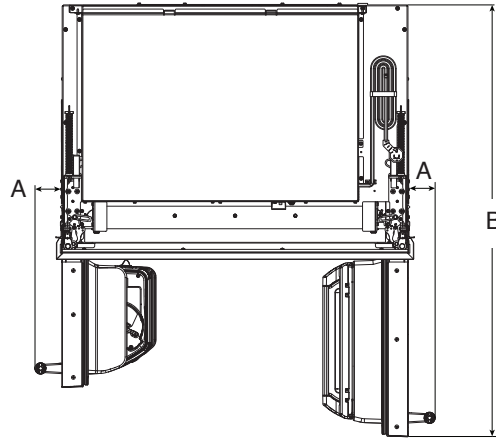
- The depth from the front of the top grille to the back of the refrigerator cabinet is $25\frac{3}{8}$ " (645 mm).
- The power cord is 84" (2134 mm) long.
- The height dimensions shown are with the leveling legs extended $\frac{1}{8}$ " (3 mm) below the rollers.



Description		Inches	mm
A	Depth With Handles	$27\frac{13}{16}$	706
B	Cabinet Depth	$25\frac{13}{16}$	655
C	Machine Compartment Depth	$19\frac{7}{8}$	505
D	Cabinet Height	$74\frac{3}{8}$	1889
E	Height Till Top of the Handle	66	1677
F	Overall Height	$83\frac{1}{4}$	2115

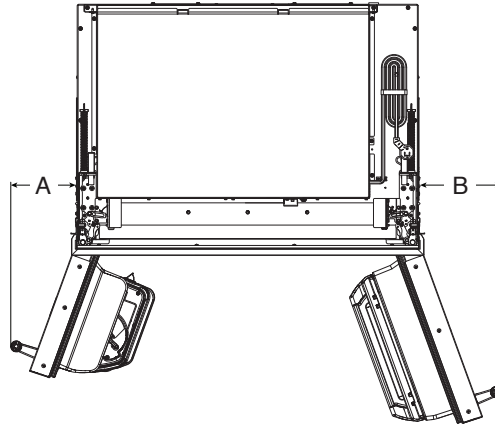
When leveling legs are fully extended to $1\frac{1}{4}$ " (32 mm) below rollers, add $1\frac{1}{8}$ " (29 mm) to the height dimensions.

36" Model
90° door swing



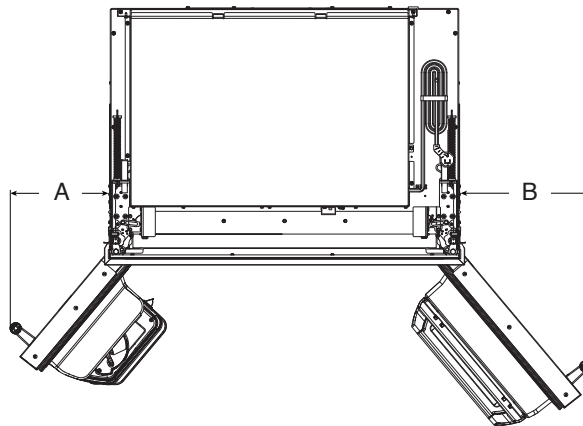
A. $2\frac{3}{4}$ " (69.9 mm)
B. $43\frac{3}{4}$ " (1111.1 mm)

110° door swing



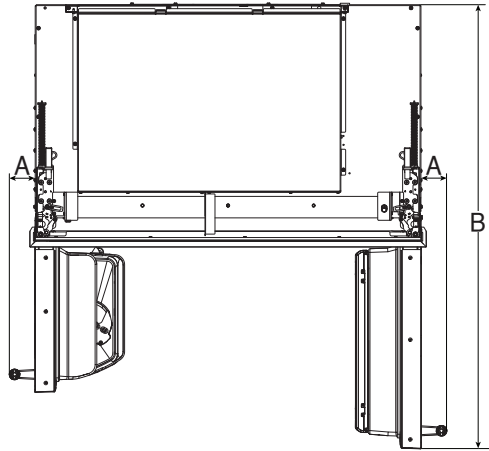
A. $6\frac{3}{4}$ " (172.3 mm)
B. $8\frac{1}{2}$ " (215.8 mm)

130° door swing



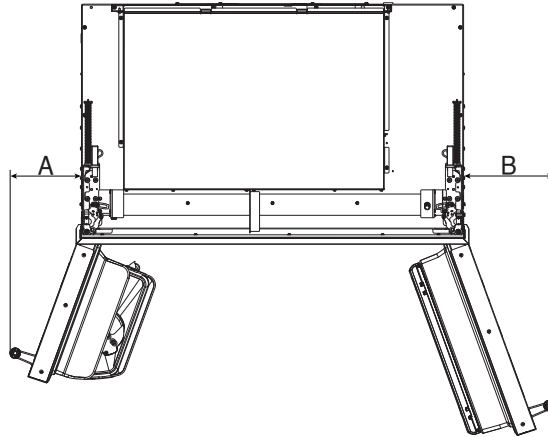
A. $9\frac{15}{16}$ " (252.2 mm)
B. $13\frac{1}{8}$ " (333.8 mm)

42" Model
90° door swing



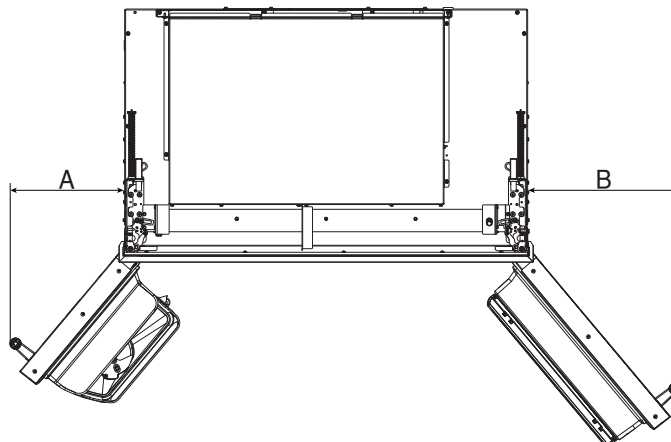
A. $2\frac{3}{4}$ " (69.9 mm)
B. $47\frac{1}{4}$ " (1199.9 mm)

110° door swing



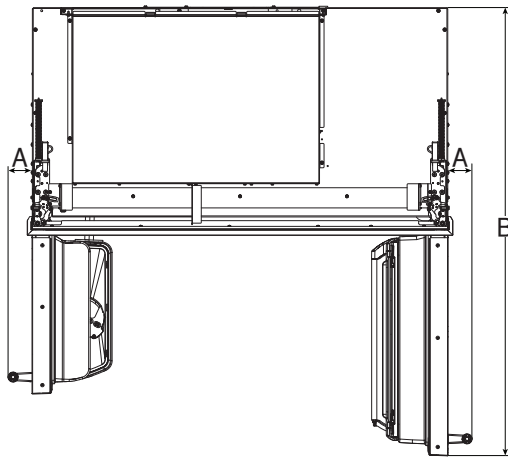
A. $7\frac{5}{8}$ " (194 mm)
B. $9\frac{11}{16}$ " (246 mm)

130° door swing



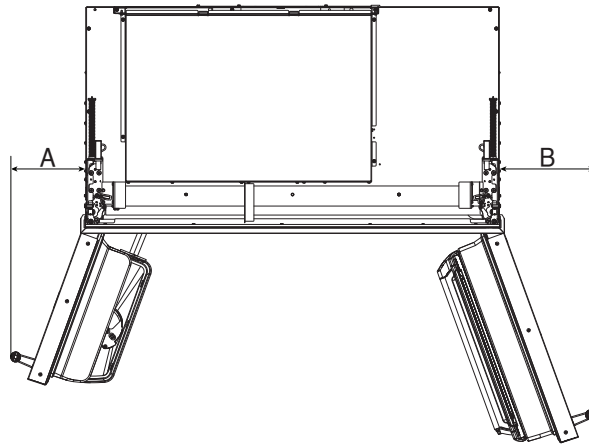
A. $11\frac{9}{16}$ " (293 mm)
B. $15\frac{3}{8}$ " (390 mm)

48" Model
90° door swing



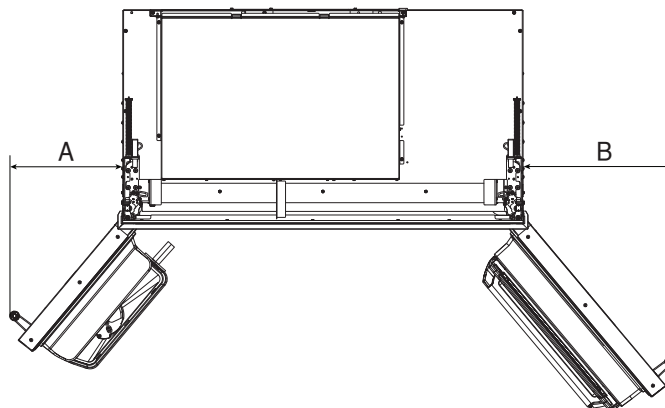
A. $2\frac{3}{4}$ " (69.9 mm)
B. $50\frac{3}{4}$ " (1288.9 mm)

110° door swing



A. $8\frac{1}{2}$ " (215.8 mm)
B. $10\frac{7}{8}$ " (276.6 mm)

130° door swing



A. $13\frac{1}{8}$ " (333.8 mm)
B. $17\frac{5}{8}$ " (448 mm)

LISTE DE VÉRIFICATION POUR L'INSTALLATION

Cette liste de vérification est destinée à confirmer que l'installation d'un réfrigérateur encastrable par l'installateur et le client s'est déroulée sans problèmes et avec succès. Examiner la liste de vérification avec le client et la laisser avec la documentation qui l'accompagne (guide d'installation, guide d'utilisation et d'entretien, pièces de rechange, etc.).

Numéro de modèle : _____

Numéro de série : _____

Initiales de l'installateur/date : _____

Installation

- Les quatre pieds de nivellement ont-ils été abaissés jusqu'au sol?
- Le réfrigérateur est-il fixé aux armoires environnantes à l'aide des supports fournis?
- Les portes disposent-elles d'un espace suffisant pour s'ouvrir?
- Le réfrigérateur est-il de niveau et les portes alignées?
- Le matériel d'emballage (films, bandes, carton) a-t-il été complètement retiré du réfrigérateur?
- Les portes et la grille supérieure en acier inoxydable (le cas échéant) sont-elles nettoyées et exemptes de défauts?
- La plinthe/grille de bas de caisse est-elle installée?

Fonctionnement

- Tous les joints de porte sont-ils bien en contact avec la caisse du réfrigérateur?
- Les poignées de porte sont-elles bien fixées?
- La fiche du cordon d'alimentation du réfrigérateur est-elle bien enfoncée et l'appareil est-il sous tension et en cours de refroidissement?
- La conduite d'eau est-elle raccordée au réfrigérateur et le robinet d'arrêt ouvert?
- La conduite d'eau est-elle exempte de restrictions et de coudes? Le débit d'eau a-t-il été confirmé?
- Tous les raccordements à la conduite d'eau (robinet d'arrêt, raccords et entrée du réfrigérateur) sont-ils exempts de fuites? Y a-t-il d'autres fuites d'eau?
- L'air du système d'eau interne du réfrigérateur a-t-il été purgé? Le distributeur d'eau (le cas échéant) fonctionne-t-il correctement?
- La machine à glaçons est-elle en position de marche?
- Toutes les tablettes et tous les balconnets sont-ils installés?
- Le filtre à eau/à air (le cas échéant) est-il installé?

Si l'un des points ci-dessus n'a pas été respecté lors de l'installation, contacter votre détaillant ou votre installateur.

SÉCURITÉ DU RÉFRIGÉRATEUR

Votre sécurité et celle des autres sont très importantes.

Nous donnons de nombreux messages de sécurité importants dans ce manuel et sur votre appareil. Assurez-vous de toujours lire tous les messages de sécurité et de vous y conformer.



Voici le symbole d'alerte de sécurité.

Ce symbole d'alerte de sécurité vous signale les dangers potentiels de décès et de blessures graves.

Tous les messages de sécurité suivront le symbole d'alerte de sécurité et le mot « DANGER » ou « AVERTISSEMENT ». Ces mots signifient :

▲ DANGER

Risque possible de décès ou de blessure grave si vous ne suivez pas immédiatement les instructions.

▲ AVERTISSEMENT

Risque possible de décès ou de blessure grave si vous ne suivez pas les instructions.

Tous les messages de sécurité vous diront quel est le danger potentiel, comment réduire le risque de blessure et ce qui peut se produire en cas de non-respect des instructions.

IMPORTANTES INSTRUCTIONS DE SÉCURITÉ

AVERTISSEMENT : Afin de réduire le risque d'incendie, de décharge électrique ou de blessures lors de l'utilisation de l'appareil, il convient d'observer certaines précautions fondamentales, notamment :

- Les enfants doivent être surveillés afin de s'assurer qu'ils ne jouent pas avec l'appareil.
- Cet appareil ne convient pas à une utilisation par des personnes (y compris des enfants) à capacités physiques, sensorielles ou mentales réduites, ou possédant un manque d'expérience et de connaissances, à moins qu'elles ne soient placées sous supervision ou qu'elles aient reçu des instructions concernant l'utilisation de l'appareil par une personne responsable de leur sécurité.
- Ne pas utiliser de câble de rallonge.
- Si le cordon d'alimentation est endommagé, il doit être remplacé par le fabricant, son agent de réparation ou toute autre personne qualifiée afin d'éviter tout danger.
- Brancher sur une alimentation en eau potable uniquement.
- Cet appareil est destiné à un usage domestique et à d'autres usages similaires comme : coins cuisine réservés au personnel des boutiques, des bureaux et d'autres environnements professionnels; maisons d'hôtes, ainsi que par les clients d'hôtel, de motels et d'autres installations d'hébergement; gîtes touristiques; et banquets et autres utilisations non commerciales semblables.
- Ne pas entreposer de substances explosives comme des aérosols avec agent propulseur inflammable dans cet appareil.
- Utiliser le nouvel ensemble de tuyaux fournis avec l'appareil, ne pas réutiliser les anciens tuyaux.
- Ne pas utiliser de pièces de remplacement qui n'ont pas été recommandées par le fabricant (c.-à-d., pièces fabriquées à la maison à l'aide d'une imprimante 3D).
- Garder les événements à l'intérieur de l'enceinte de l'appareil ou de la structure encastrée exempte d'obstacles.
- Ne pas utiliser des appareils mécaniques ou autres moyens pour accélérer le processus de dégivrage, autre que ceux recommandés par le fabricant.
- Ne pas endommager le circuit réfrigérant.
- Ne pas utiliser des appareils électriques à l'intérieur des compartiments d'aliments de l'appareil, à moins qu'ils soient de type recommandé par le fabricant.
- L'ensemble pour machine à glaçons peut être ajouté à certains modèles. Consulter la plaque signalétique située à l'intérieur du compartiment pour les aliments de l'appareil pour obtenir les informations concernant le modèle d'ensemble pour machine à glaçons.
- L'installation de la conduite d'eau et de la machine à glaçons doit être effectuée par un technicien de service qualifié. Consulter les instructions d'installation fournies avec l'ensemble pour machine à glaçons pour tous les détails.
- Ne pas installer un parasurtenseur ou un bloc d'alimentation portatif derrière l'appareil.
- Cet appareil peut être utilisé à une altitude maximale de 2 000 m (6 561,7 pi) par rapport au niveau de la mer.
- Lors du positionnement de l'appareil, s'assurer que le cordon d'alimentation n'est pas coincé ou endommagé.
- Ne pas installer un parasurtenseur ou un bloc d'alimentation portatif derrière l'appareil.
- Pour éviter un danger provoqué par l'instabilité de l'appareil, ce dernier doit être fixé selon les directives fournies dans les instructions d'installation.

CONSERVER CES INSTRUCTIONS

Mise au rebut du vieux réfrigérateur

⚠ AVERTISSEMENT



Risque de basculement

La partie du haut du réfrigérateur est très lourde, ce qui peut le faire basculer facilement lorsqu'il n'est pas complètement installé.

Garder les portes fermées avec du ruban jusqu'à la fin de l'installation du réfrigérateur.

Utiliser au moins deux personnes pour déplacer et installer le réfrigérateur.

Ne pas respecter cette instruction peut causer un décès ou une blessure grave.

AVERTISSEMENT : Un enfant peut rester piégé. Avant de jeter votre vieux réfrigérateur ou congélateur :

- Enlever les portes.
- Laisser les tablettes en place de sorte que les enfants ne puissent pas y pénétrer facilement.

⚠ AVERTISSEMENT

Risque de suffoquer

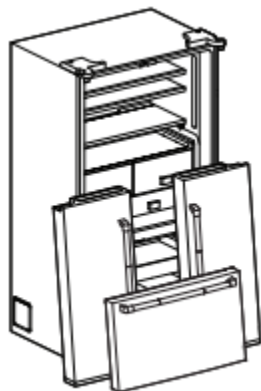
Enlever les portes ou le couvercle de votre vieil appareil.

Le non-respect de cette instruction peut causer un décès ou des lésions cérébrales.

IMPORTANT : Le risque qu'un enfant puisse se retrouver coincé et suffoquer n'est pas chose du passé. Les réfrigérateurs jetés ou abandonnés restent dangereux, même s'ils ne restent à l'extérieur que pour « quelques jours seulement ». Si l'ancien réfrigérateur doit être mis au rebut, suivre les instructions suivantes afin d'éviter les accidents.

Informations importantes à connaître pour l'élimination du liquide réfrigérant :

Jeter le réfrigérateur conformément aux règlements fédéraux et locaux. Les liquides réfrigérants doivent être évacués par un technicien en réfrigération accrédité EPA, conformément aux procédures établies.

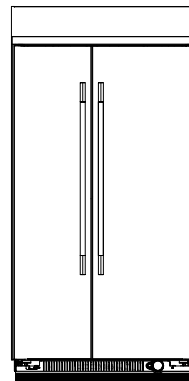


MODÈLES

Série Stainless

Cette série procure un réfrigérateur encastré d'apparence commerciale.

Réfrigérateurs côte à côte sans distributeur



42 po de largeur

KBSN742SPS

KBSN742SBE

KBSN742SJP

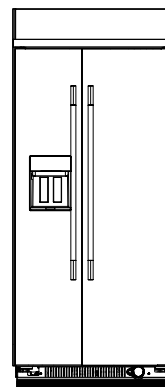
48 po de largeur

KBSN748SPS

KBSN748SBE

KBSN748SJP

Réfrigérateurs côte à côte avec distributeur



36 po de largeur

KBSD736SPS

42 po de largeur

KBSD742SPS

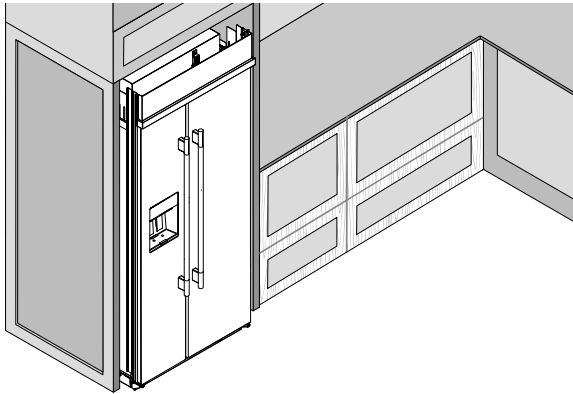
48 po de largeur

KBSD748SPS

Options d'installation

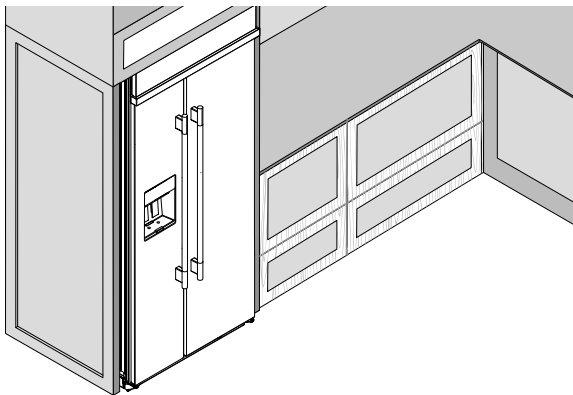
Risque de pincement

ATTENTION : L'installation de panneaux de porte avec un espacement de moins de 3/8 po (9,5 mm) entre le panneau de porte et l'armoire adjacente augmente le risque de pincement.



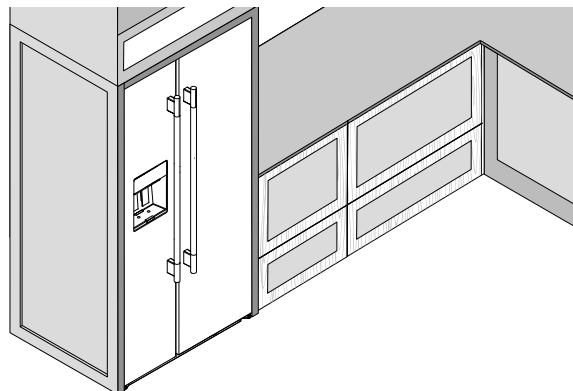
Standard

Le réfrigérateur dépasse de 1 3/4 po (44 mm) des armoires.



Chevauchement

Le réfrigérateur se trouve à 7/8 po (22 mm) de l'armoire (avec une ouverture maximale de la porte à 110°). Cette installation prévoit des côtés apparents de 11/16 po (17 mm).

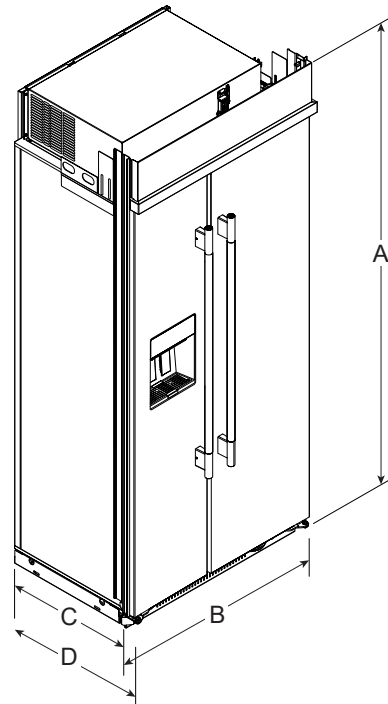


En affleurement

Le réfrigérateur est en affleurement avec l'armoire (avec une ouverture maximale de la porte à 110°). Cette installation prévoit des côtés apparents de 1 po (25,4 mm).

DIMENSIONS DU PRODUIT

Dimensions du produit



Description		Modèles de 36 po	Modèles de 42 po	Modèles de 48 po
A	Hauteur totale	83 1/4 po (2 115 mm)		
B	Largeur totale	36 3/8 po (923 mm)	42 5/16 po (1 075 mm)	47 3/16 po (1 199 mm)
C	Profondeur sans poignée	25 13/16 po (655 mm)		
D	Profondeur avec poignées	27 3/4 po (706 mm)		

Lorsque les pieds de nivellement sont totalement déployés de 1 1/4 po (32 mm) au-dessous des roulettes, ajouter 1 1/8 po (29 mm) à la hauteur totale.

EXIGENCES D'INSTALLATION

Outils et pièces

IMPORTANT :

- Installateur : Remettre les instructions d'installation au propriétaire.
- Propriétaire : Conserver les instructions d'installation pour référence ultérieure. Conserver ces instructions d'installation pour consultation par l'inspecteur local des installations électriques.

Outils nécessaires

Rassembler les outils et pièces nécessaires avant d'entreprendre l'installation. Lire et observer les instructions fournies avec chacun des outils de la liste suivante.

- Perceuse sans fil
- Forets
- Clés à molette (2)
- Tournevis à tête cruciforme
- Petit niveau
- Clés à fourche de 3/8 po et 1/2 po
- Tournevis à douille de 1/4 po et 5/16 po
- Torx® † Tournevis T27
- Tourne-écrou de 11/32 po
- Chariot pour appareil ménager
- Clé hexagonale de 5/32 po
- Couteau à lame rétractable
- Ruban à mesurer

Pièces nécessaires

- Vis à bois no 8 x 3 po (76 mm) pour installer les supports (minimum 2 vis par support)
- Utiliser une conduite d'alimentation en eau flexible conforme aux codes de plomberie locaux (par exemple en acier inoxydable tressé ou en cuivre de 1/4 po [6,35 mm]).
- Si un tuyau en cuivre de 1/4 po (6,35 mm) est utilisé : une bague et un raccord à compression de 1/4 po (6,35 mm) sont aussi nécessaires. Ces pièces servent à raccorder la conduite d'eau.
- Dans le cas d'un raccordement direct de la canalisation d'eau au tuyau de cuivre et non à un robinet d'arrêt, on doit disposer d'un raccord à compression de 1/4 po (6,35 mm) avec virole et raccord union.

Exigences d'emplacement

⚠ AVERTISSEMENT



Risque d'explosion

Garder les matières et les vapeurs inflammables, telles que l'essence, à l'écart de l'appareil.

Utiliser un produit de nettoyage ininflammable.

Le non-respect de ces instructions peut causer un décès, une explosion ou un incendie.

IMPORTANT : Ce réfrigérateur est conçu pour un usage domestique, à l'intérieur seulement.

Cet appareil est destiné à un usage domestique et à d'autres usages similaires comme :

- espace de cuisine pour personnel de boutiques, bureaux et autres environnements professionnels;
- résidences fermières et utilisation par les clients d'hôtels, de motels et d'autres types de résidences;
- environnements de type chambres d'hôtes;
- banquets et autres utilisations non commerciales semblables.
- Observer les dispositions de tous les codes et règlements en vigueur.
- Il est conseillé de ne pas effectuer l'installation près d'un four, d'un radiateur ou de toute autre source de chaleur.
- Ne pas installer l'appareil dans un endroit où la température pourrait descendre sous 55 °F (13 °C).
- Le plancher doit pouvoir supporter le poids du réfrigérateur, soit plus de 600 lb (272 kg) incluant les panneaux de porte et le contenu du réfrigérateur. Le revêtement de sol sous le réfrigérateur doit se trouver au même niveau que le sol de la pièce. L'avant de l'armoire doit être d'aplomb.
- La hauteur libre sous plafond doit être suffisante pour permettre le basculement de chaque côté. Voir la section « Rayon de basculement » plus loin dans cette section.
- L'emplacement d'installation doit permettre la dépose de la grille supérieure. Voir la section « Dimensions de l'ouverture d'encastrement ».

IMPORTANT

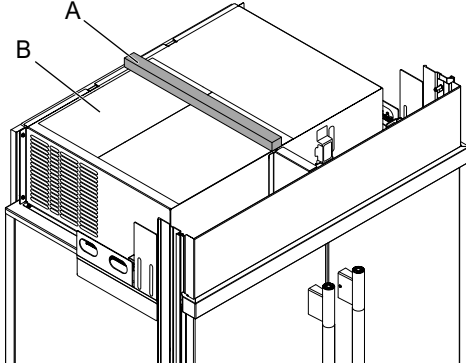
- L'armoire ne doit pas être fabriquée à partir d'un matériau à base de fibres pressées comme le MDF (Medium Density Fiberboard).
- Le panneau inférieur doit être un contreplaqué de 3/4 po (19 mm).
- Le panneau inférieur en contreplaqué de 3/4 po (19 mm) doit s'étendre latéralement pour entrer directement en contact avec les panneaux latéraux gauche et droit et être solidement fixé le long de sa profondeur.

†TORX est une marque déposée d'Acument Intellectual Properties, LLC.

Dimensions de l'ouverture

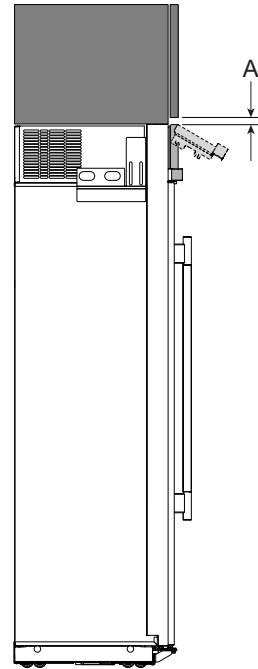
IMPORTANT

- Un dégagement de 3/4 po (19 mm) doit être maintenu au-dessus de la grille supérieure pour pouvoir enlever la grille supérieure.
- Ne pas retirer le joint en mousse du sommet du couvercle du compresseur, sauf s'il est nécessaire de le retirer pour installer l'appareil sous un soffite. Retirer le joint peut affecter les performances de refroidissement.



A. Joint d'étanchéité
B. Couvercle du compresseur

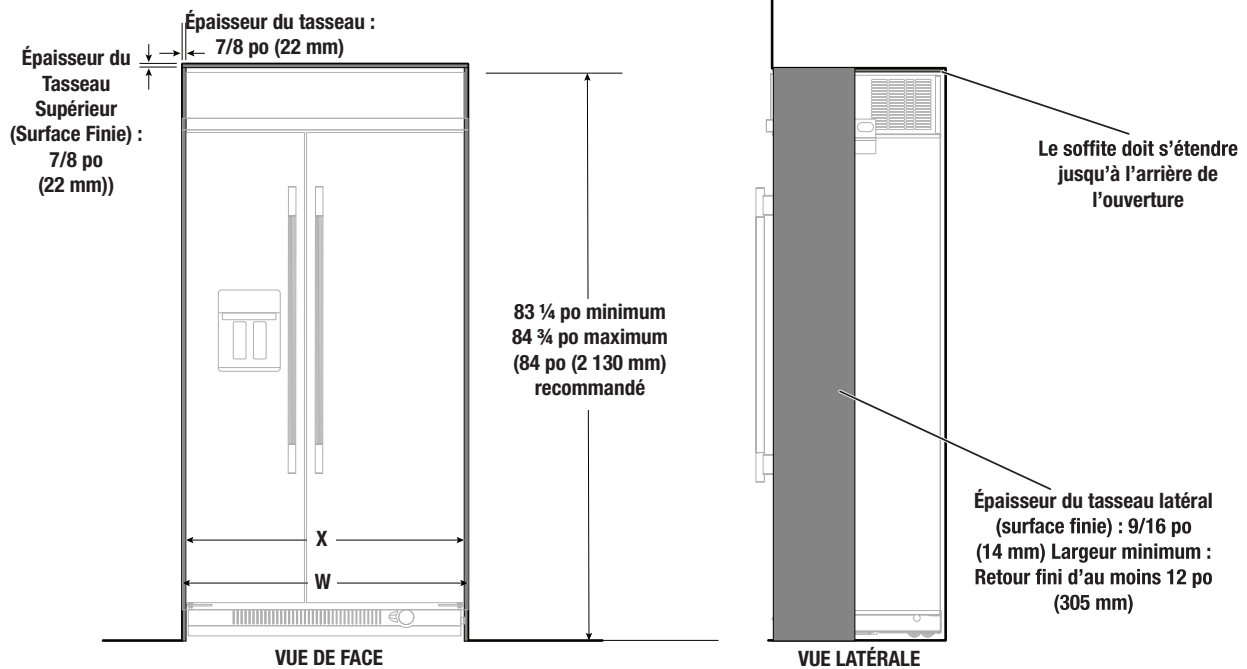
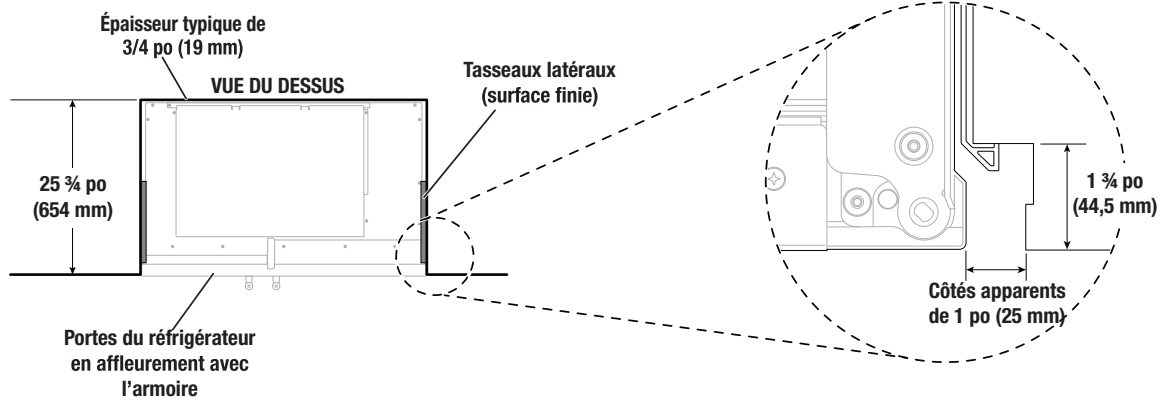
- Une prise électrique à trois broches avec mise à la terre doit être placée à une distance définie des armoires de droite ou du panneau situé à l'extrémité. Voir le tableau sous l'illustration pour connaître le nombre de pouces à respecter pour votre modèle. Voir les « Spécifications électriques » pour plus de renseignements.
- Le robinet d'arrêt doit être situé dans l'armoire inférieure d'un côté ou l'autre du réfrigérateur, ou à un autre endroit facilement accessible. Si le robinet d'arrêt ne se trouve pas dans les armoires, la plomberie d'arrivée d'eau peut provenir du plancher. Voir les « Spécifications de l'alimentation en eau » pour plus de renseignements.



A. 3/4 po (19 mm) de dégagement pour le retrait de la grille supérieure

Installation standard (profondeur de l'armoire de 24 po [610 mm])

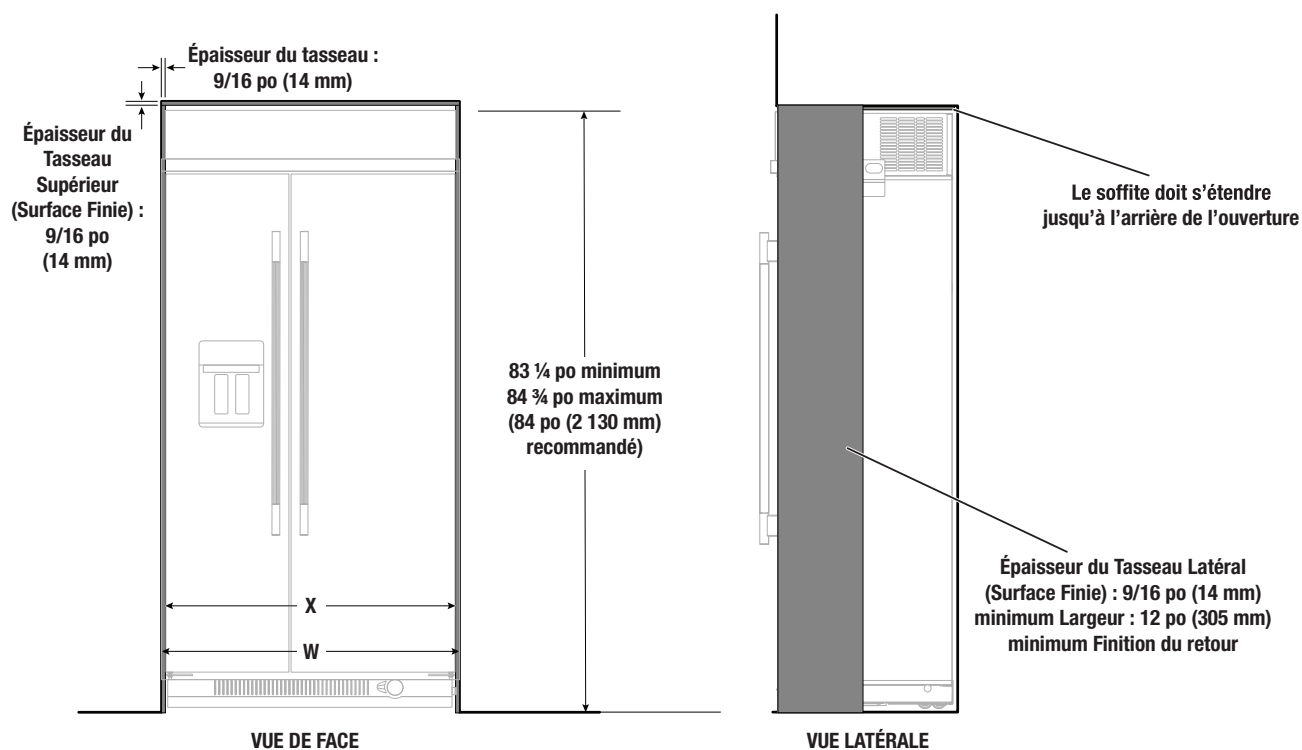
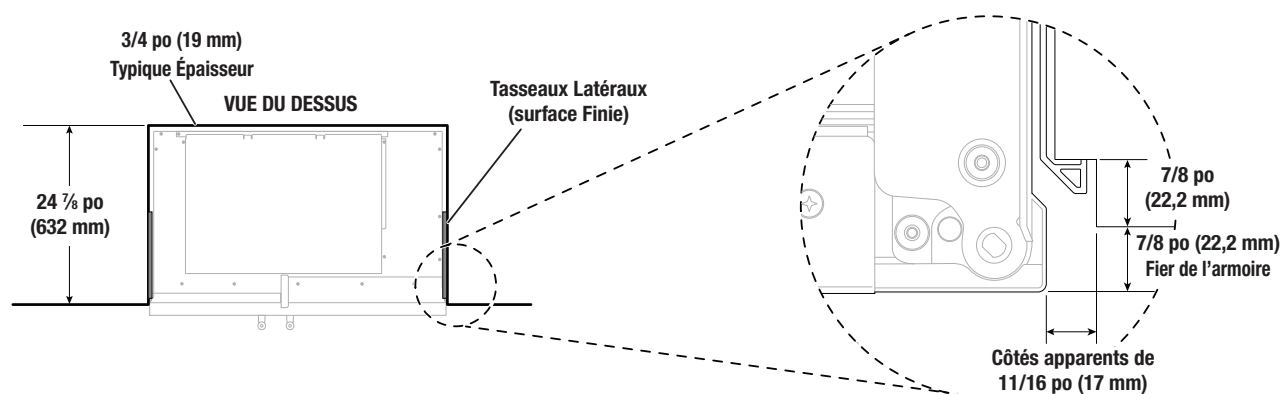
IMPORTANT : Les panneaux latéraux de l'armoire serviront à soutenir l'appareil pour en assurer la stabilité.



Modèle	Largeur de l'ouverture (L)
36 po	35 1/2 po à 35 3/4 po (902 mm à 908 mm)
42 po	41 1/2 po à 41 3/4 po (1 054 mm à 1 061 mm)
48 po	47 1/2 po à 47 3/4 po (1 207 mm à 1 213 mm)

REMARQUE : Un retour de meuble fini d'au moins 12 po (304,8 mm) (avec face cosmétique) et une épaisseur de panneau d'au moins 3/4 po (19 mm) sont nécessaires. L'armoire doit avoir une structure solide pour supporter l'ancrage du réfrigérateur.

Installation en chevauchement (profondeur de l'armoire de 24 7/8 po [632 mm])

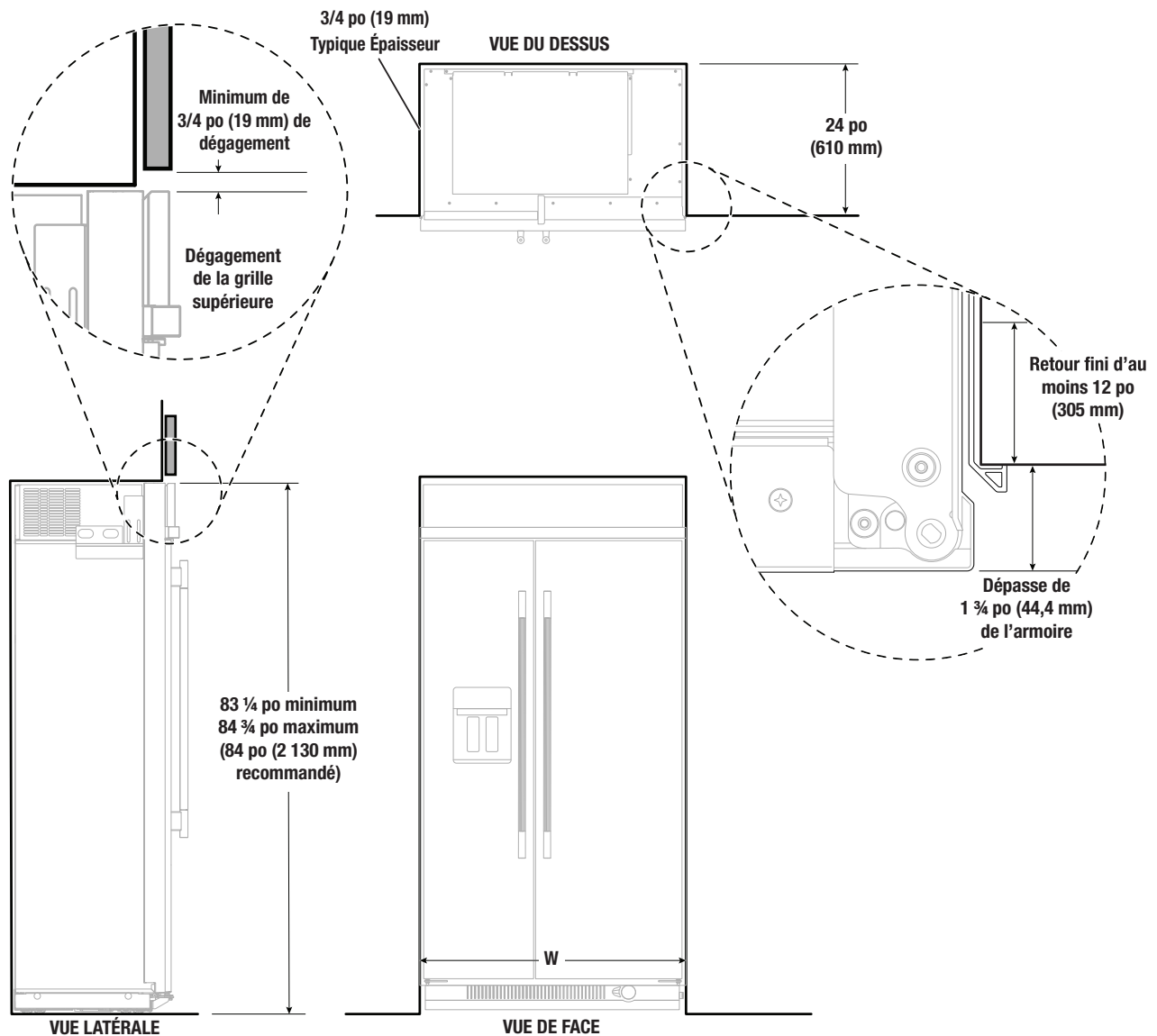


Modèle	Largeur totale de l'ouverture (L)	Largeur entre les tasseaux (X)
36 po	36 5/8 po à 36 7/8 po (930 mm à 936 mm)	35 1/2 po à 35 3/4 po (902 mm à 908 mm)
42 po	42 5/8 po à 42 7/8 po (1 082 mm à 1 089 mm)	41 1/2 po à 41 3/4 po (1 054 mm à 1 061 mm)
48 po	48 5/8 po à 48 7/8 po (1 235 mm à 1 241 mm)	47 1/2 po à 47 3/4 po (1 207 mm à 1 213 mm)

REMARQUE :

- Après l'installation, les tasseaux latéraux de 9/16 po (14 mm) sont visibles de l'avant.
- L'armoire doit fournir un support structurel pour ancrer solidement le réfrigérateur.
- L'ouverture maximale de la porte pour une installation encastrée est 110°.
- Un retour de meuble fini d'au moins 12 po (304,8 mm) (avec face cosmétique) et une épaisseur de panneau d'au moins 3/4 po (19 mm) sont nécessaires.

Installation en affleurement (profondeur de l'armoire de 25 3/4 po [654 mm])



Modèle	Largeur totale de l'ouverture (L)	Largeur entre les tasseaux (X)
36 po	37 1/4 po à 37 1/2 po (946 mm à 953 mm)	35 1/2 po à 35 3/4 po (902 mm à 908 mm)
42 po	43 1/4 po à 43 1/2 po (1 098 mm à 1 105 mm)	41 1/2 po à 41 3/4 po (1 054 mm à 1 061 mm)
48 po	49 1/4 po à 49 1/2 po (1 251 mm à 1 257 mm)	47 1/2 po à 47 3/4 po (1 207 mm à 1 213 mm)

REMARQUE :

- Après l'installation, les tasseaux latéraux de 7/8 po (22 mm) sont visibles de l'avant.
- L'armoire doit avoir une structure solide pour supporter l'ancrage du réfrigérateur.
- L'ouverture maximale de la porte pour une installation encastrée est 110°.
- Un retour de meuble fini d'au moins 12 po (304,8 mm) (avec face cosmétique) et une épaisseur de panneau d'au moins 3/4 po (19 mm) sont nécessaires.

Spécifications électriques

⚠ AVERTISSEMENT



Risque de décharge électrique

Brancher l'appareil sur une prise à 3 alvéoles reliée à la terre.

Ne pas enlever la prise de liaison à la terre.

Ne pas utiliser d'adaptateur.

Ne pas utiliser de rallonge.

Le non-respect de ces instructions peut causer un décès, un incendie ou une décharge électrique.

Avant de placer le réfrigérateur à son emplacement final, il est important de s'assurer d'avoir la connexion électrique appropriée.

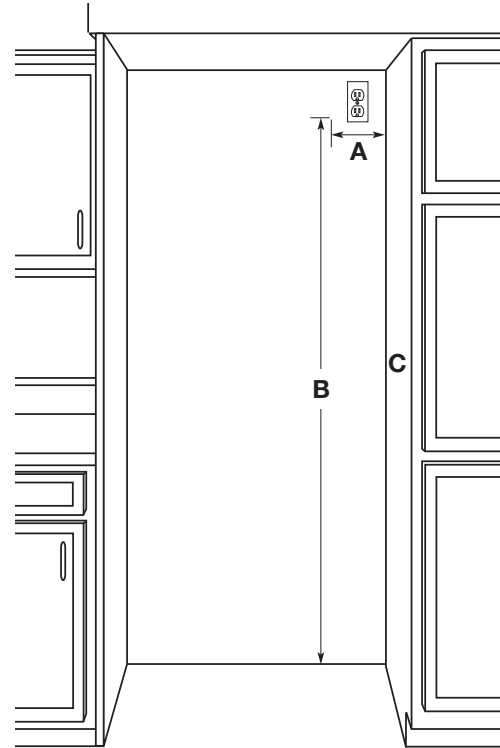
Si le cordon d'alimentation est endommagé, il doit être remplacé par le fabricant, son agent de service ou toute autre personne également qualifiée. Ne pas utiliser un cordon craquelé ou qui présente des dommages d'abrasion sur la gaine, la fiche ou le connecteur.

Méthode recommandée de liaison à la terre

Un circuit de 115 V CA à 60 Hz relié à la terre et protégé par un fusible de 15 A ou 20 A est requis. On recommande que le réfrigérateur et les accessoires approuvés soient alimentés par un circuit indépendant. Utiliser une prise de courant dont l'alimentation ne peut pas être interrompue par un interrupteur. Ne pas utiliser de rallonge.

IMPORTANT : ce produit est connecté à une prise protégée par un disjoncteur de fuite à la terre, un déclenchement intempestif peut se produire et causer une perte de refroidissement. La qualité et la saveur des aliments risquent d'être affectées. Si un déclenchement intempestif se produit et si les aliments semblent de piètre qualité, jeter les aliments.

REMARQUE : Avant d'exécuter tout type d'installation ou de nettoyage, retirer la grille supérieure et mettre l'interrupteur général d'alimentation à OFF (arrêt) ou déconnecter le courant au boîtier de disjoncteurs. Une fois terminé, mettre l'interrupteur général d'alimentation à ON (marche) ou rétablir le courant au boîtier de disjoncteurs. Puis placer de nouveau la commande au réglage désiré.



B. 77 po (1 956 mm) du plancher

C. Depuis le côté droit de l'ouverture de l'armoire.

Modèle	Dimension de l'emplacement électrique A
36 po	4 po (102 mm)
42 po	7 1/2 po (191 mm)
48 po	13 1/2 po (343 mm)

Spécifications de l'alimentation en eau

IMPORTANT :

- Toutes les installations doivent être conformes aux exigences des codes locaux de plomberie.
- Brancher sur une alimentation en eau potable uniquement.

Pression d'eau

Une alimentation en eau froide avec une pression entre 30 lb/po² et 120 lb/po² (207 kPa et 827 kPa) est nécessaire pour faire fonctionner le distributeur d'eau et la machine à glaçons. Pour toute question au sujet de la pression de l'eau, faire appel à un plombier qualifié agréé.

REMARQUE : Si la pression en eau est inférieure aux critères minimaux, le débit du distributeur d'eau pourrait diminuer ou entraîner la formation de glaçons creux ou de forme irrégulière. Pour toute question au sujet de la pression de l'eau, faire appel à un plombier qualifié agréé.

Alimentation en eau par osmose inverse

IMPORTANT : La pression de l'alimentation en eau entre le système d'osmose inverse et le robinet d'arrivée d'eau du réfrigérateur doit être entre 30 lb/po² et 120 lb/po² (207 kPa à 827 kPa).

Si un système de filtration de l'eau par osmose inverse est raccordé à votre alimentation en eau froide, la pression de l'eau au système doit être d'un minimum de 40 lb/po² à 60 lb/po² (276 kPa à 414 kPa).

Si la pression d'eau au système de filtration par osmose inverse est inférieure à 40 lb/po² à 60 lb/po² (276 kPa à 414 kPa) :

- Vérifier que le filtre à sédiment dans le système à osmose inverse n'est pas obstrué. Remplacer le filtre si nécessaire.
- Laisser le réservoir du système d'osmose inverse se remplir après une utilisation intense.
- Si le réfrigérateur comporte un filtre à eau, celui-ci peut réduire la pression de l'eau lorsqu'il est utilisé avec un système d'osmose inverse. Enlever la cartouche de filtre à eau.

Pour toute question au sujet de la pression de l'eau, faire appel à un plombier qualifié agréé.

Robinet d'arrêt

IMPORTANT :

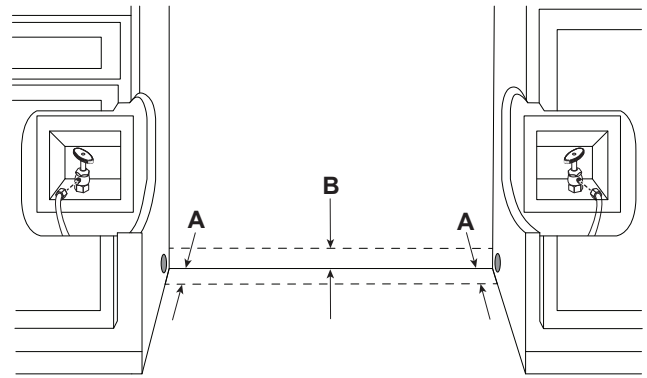
- Maintenir les robinets et les conduites d'eau à une température supérieure à 0 °C (32 °F) afin d'éviter leur gel.
- Si un robinet d'arrêt se trouve dans un mur situé derrière le réfrigérateur, il n'y a pas suffisamment d'espace pour une installation en affleurement.
- Le robinet d'arrêt doit être situé dans l'armoire inférieure d'un côté ou l'autre du réfrigérateur, ou à un autre endroit facilement accessible. Le côté droit est recommandé. Le trou d'accès à travers l'armoire doit se trouver à moins de 1/2 po (13 mm) du mur arrière

REMARQUE : Si le robinet d'arrêt se trouve dans la paroi arrière derrière le réfrigérateur, il doit être incliné afin que le tube ne soit pas plié lorsque le réfrigérateur est poussé à son emplacement final.

- Si le robinet d'arrêt ne se trouve pas dans les armoires, la plomberie d'arrivée d'eau peut provenir du plancher. Un trou de 1/2 po (12,7 mm) pour la plomberie doit être percé à 6 po (152 mm) minimum de l'armoire de gauche ou de droite ou du panneau. Sur le plancher, le trou ne doit pas se trouver à plus de 1 po (25,4 mm) du mur arrière. Voir la section « Raccordement à la canalisation d'eau. »
- Si un tube supplémentaire est nécessaire, utiliser un tube en cuivre et vérifier s'il y a des fuites. Installer les tuyaux en cuivre seulement là où les températures domestiques resteront au-dessus du point de congélation.
- Ne pas employer de robinet d'arrêt à étrier de 3/16 po (4,76 mm) ou de type à percer — ils réduisent le débit d'eau et s'obstruent aussi plus facilement.

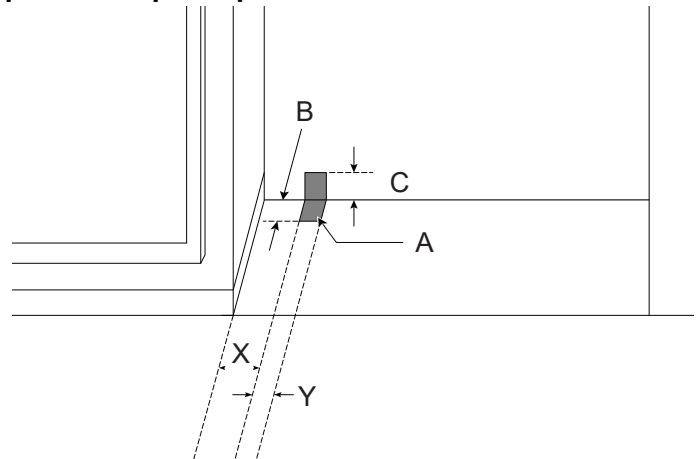
REMARQUE : Votre marchand de réfrigérateurs propose une trousse avec un robinet d'arrêt à étrier de 1/4 po (6,35 mm), un raccord et un tube en cuivre. Avant d'en faire l'achat, s'assurer que le robinet d'arrêt à étrier est conforme aux codes locaux de plomberie.

Style 1 : Emplacement du robinet d'arrêt dans l'armoire adjacente



- A. Le trou d'accès à la conduite d'eau doit être situé à moins de 1/2 po (13 mm) du mur arrière.
 B. Le trou d'accès à la conduite d'eau doit être situé à moins de 1/2 po (13 mm) du plancher.

Style 2 : Autre emplacement du robinet — plomberie par le plancher



- A. Zone de l'emplacement du trou de la conduite d'eau
 B. 2 po (50,8 mm)
 C. 3 1/4 po (83 mm)

Installation standard : Voir le panneau de l'armoire pour les mesures.

Installation en chevauchement et en affleurement : Voir le tasseau pour les mesures.

Modèle	X	Y
36 po	6 1/8 po (156 mm)	1 7/16 po (37 mm)
42 po	6 1/8 po (156 mm)	3 15/16 po (100 mm)
48 po	6 1/8 po (156 mm)	6 7/16 po (164 mm)

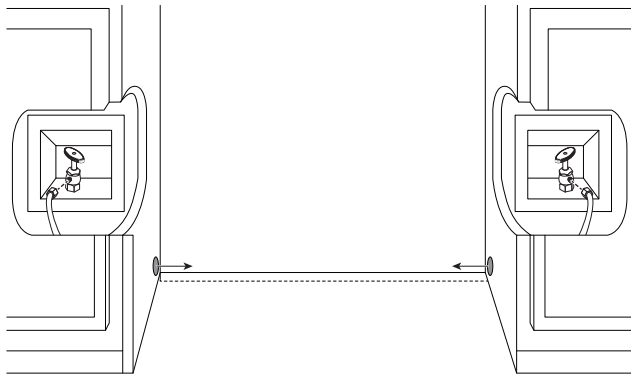
Localisation de la conduite d'eau

Pièces nécessaires

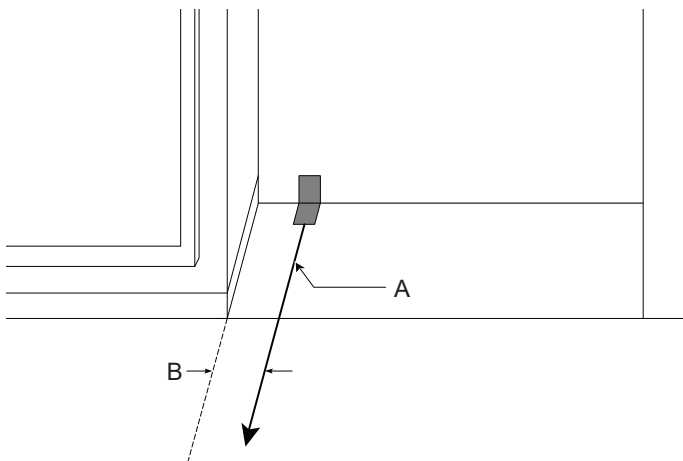
- Canalisation flexible d'alimentation en eau homologuée conformément aux codes en vigueur de 7 pi (2,13 m), selon l'emplacement du robinet d'arrêt.

Style 1 : Emplacement du robinet d'arrêt dans l'armoire adjacente

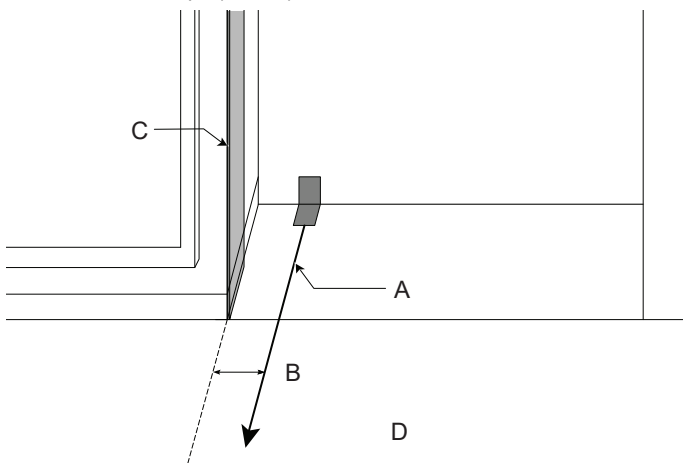
Conduite d'eau : Acheminer la conduite approuvée par le code depuis le robinet d'arrêt par le trou de l'armoire.



IMPORTANT : Passer la conduite d'eau le long du mur et la fixer avec du ruban adhésif afin d'éviter qu'elle ne s'entortille lors de la mise en place du réfrigérateur.



A. Acheminement de la conduite d'eau
B. 3/4 po (19 mm)



A. Conduite d'eau
B. 3/4 po (19 mm)
C. Armoire du côté de 12 po (305 mm)
D. Installation en affleurement ou avec chevauchement

REMARQUE : Laisser pendre un minimum de 26 po (660 mm) de la canalisation flexible d'alimentation en eau approuvée par les codes en vigueur à l'avant de l'ouverture d'encastrement de l'armoire pour le raccordement au réfrigérateur.

INSTRUCTIONS D'INSTALLATION

Déballage du réfrigérateur

⚠ AVERTISSEMENT



Risque de basculement

La partie du haut du réfrigérateur est très lourde, ce qui peut le faire basculer facilement lorsqu'il n'est pas complètement installé.

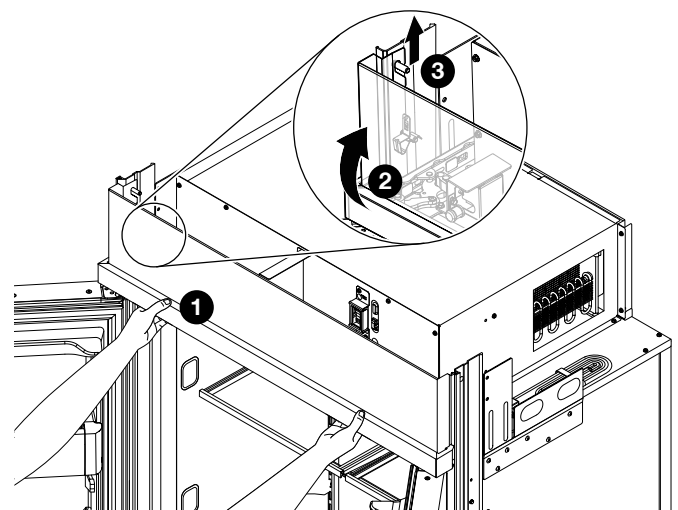
Garder les portes fermées avec du ruban jusqu'à la fin de l'installation du réfrigérateur.

Utiliser au moins deux personnes pour déplacer et installer le réfrigérateur.

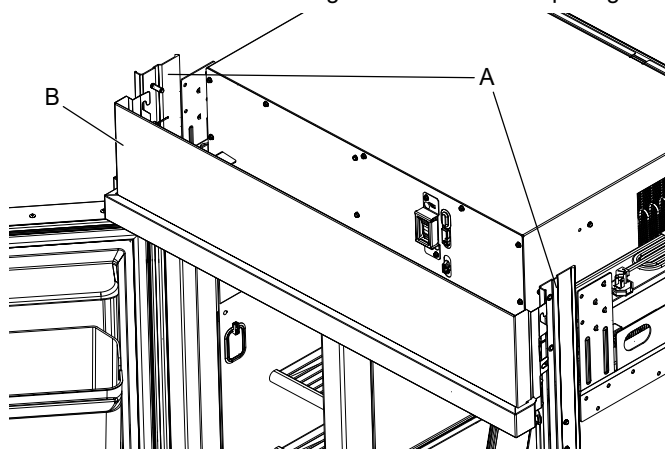
Ne pas respecter cette instruction peut causer un décès ou une blessure grave.

IMPORTANT :

- Ne pas ôter la pellicule de couverture avant que le réfrigérateur ne se trouve à son emplacement d'utilisation.
 - Les quatre roulettes doivent toucher le plancher pour supporter et stabiliser le poids total du réfrigérateur.
 - Garder la pièce de carton ou de contreplaqué d'expédition sous le réfrigérateur jusqu'à son installation à l'emplacement final.
1. Retirer et conserver le sachet de documents fixé à l'aide de ruban adhésif sur le côté du réfrigérateur et le sachet de pièces derrière la grille. Enlever les quatre brides (deux de chaque côté) qui maintiennent la base utilisée pour l'expédition au bas du réfrigérateur.
- REMARQUE** Ne pas enlever les rubans adhésifs et articles d'arrimage des portes avant que le réfrigérateur ne soit placé à son emplacement d'installation final.
2. Retirer la grille supérieure du réfrigérateur.

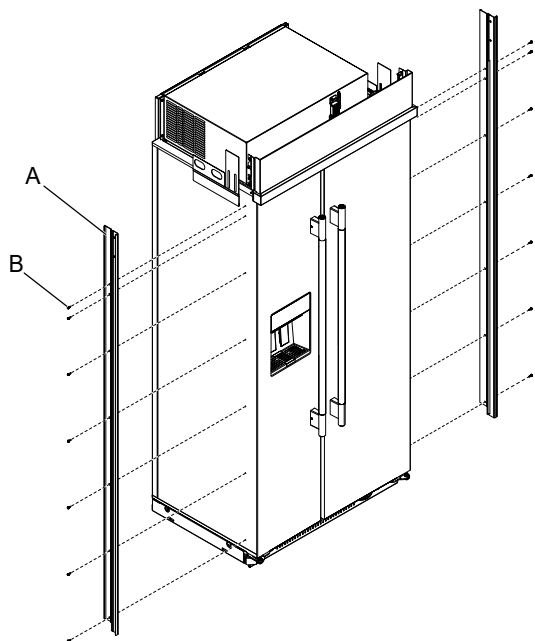


3. Pousser la grille supérieure tout droit vers le haut; puis tout droit vers l'extérieur. Placer la grille sur une surface protégée.



A. Finition latérale de la caisse
B. Grille supérieure

4. Retirer les deux garnitures latérales qui soutiennent la grille du réfrigérateur en dévissant les sept vis hexagonales de 1/4 po (6 mm). Conserver les vis et les garnitures pour les assembler avant d'installer l'appareil dans l'armoire.



A. Finitions latérales
B. Vis

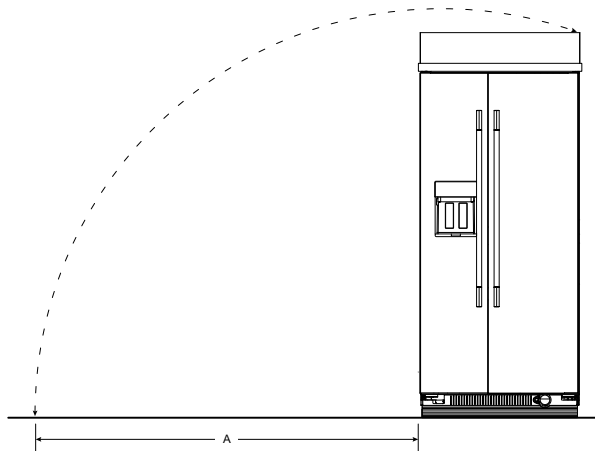
5. Ouvrir les portes et retirer le ruban adhésif de l'avant de la caisse du réfrigérateur.

REMARQUE : Avant d'apporter le réfrigérateur dans le domicile, s'assurer que la hauteur du plafond est suffisante pour mettre le réfrigérateur en position verticale.

Rayon de basculement

- Le rayon de basculement minimum permet de retirer la grille et les garnitures latérales du réfrigérateur.
- Le rayon de basculement latéral varie en fonction de la largeur du modèle.
- Utiliser le tableau ci-dessous pour déterminer le rayon de basculement latéral.

REMARQUE : Incliner le côté seulement.



REMARQUE : Les dimensions du rayon de basculement ci-dessous sont indiquées avec la grille supérieure et les garnitures latérales enlevées.

Modèle	Rayon de basculement
36 po	83 1/2 po (2 121 mm)
42 po	83 po (2 108 mm)
48 po	83 po (2 109 mm)

Déplacement du réfrigérateur près de son emplacement final

AVERTISSEMENT



Risque de basculement

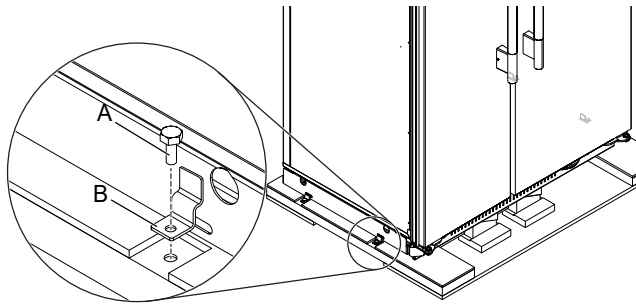
La partie du haut du réfrigérateur est très lourde, ce qui peut le faire basculer facilement lorsqu'il n'est pas complètement installé.

Garder les portes fermées avec du ruban jusqu'à la fin de l'installation du réfrigérateur.

Utiliser au moins deux personnes pour déplacer et installer le réfrigérateur.

Ne pas respecter cette instruction peut causer un décès ou une blessure grave.

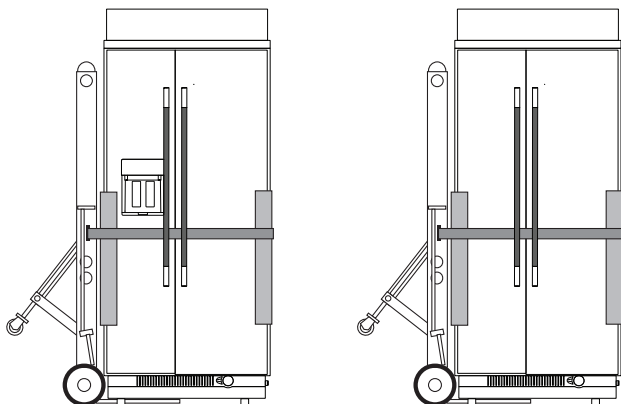
1. Utiliser une perceuse sans fil avec une douille de 1/2 po (13 mm) pour retirer les quatre tire-fonds qui maintiennent le réfrigérateur sur la base d'expédition. Jeter les vis et les colliers de retenue.



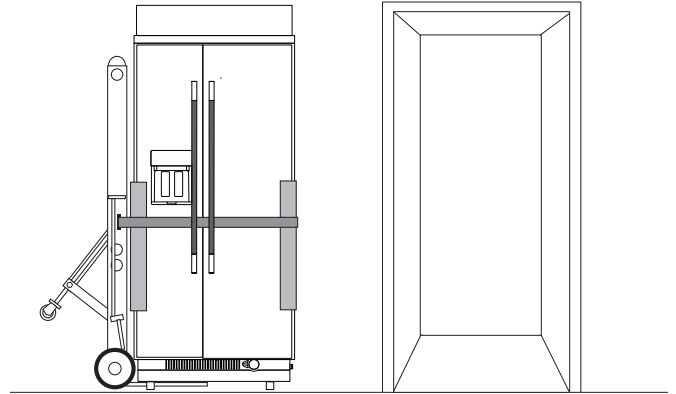
A. Tire-fonds
B. Supports

2. Introduire un chariot de manipulation sous le côté gauche du réfrigérateur, comme illustré.
3. Placer les coins de protection de l'emballage sur les garnitures comme il convient. Serrer lentement la sangle.

IMPORTANT : Ne pas attacher l'appareil par la zone de distribution, des commandes de l'IU ou des poignées. Passer la sangle sous les poignées.



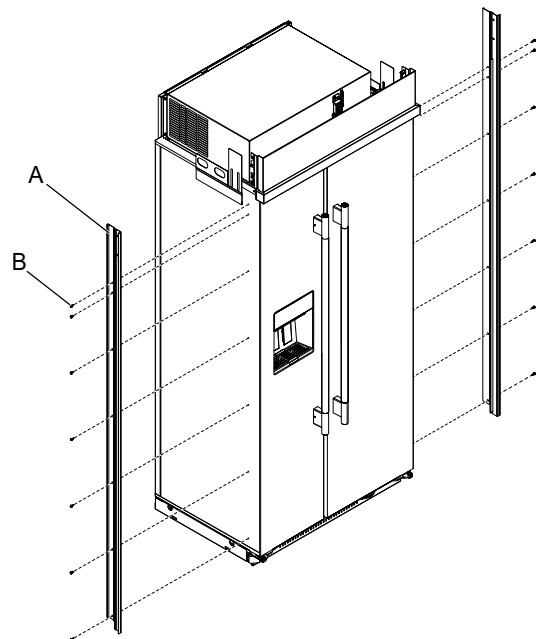
4. Placer les parties latérales du carton d'expédition devant l'ouverture de l'armoire et sur le sol au moment de faire entrer le chariot dans la maison.
5. Approcher le réfrigérateur devant l'ouverture d'encastrement dans l'armoire.



6. Placer le dessus du carton ou du contreplaqué sous le réfrigérateur.
7. Réinstaller les garnitures latérales en utilisant les vis de 1/4 po (6 mm) et la grille supérieure après avoir retiré le chariot du réfrigérateur. Consulter la section « Déballage du réfrigérateur ».

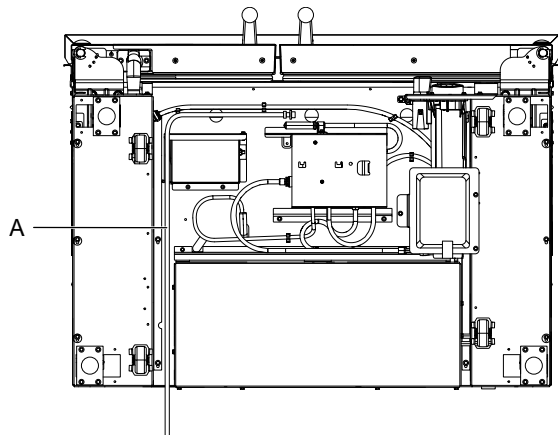
Réinstallation des garnitures latérales

1. Réinstaller les garnitures latérales sur le réfrigérateur à l'aide des sept vis de 1/4 po situées sur chaque côté du meuble.



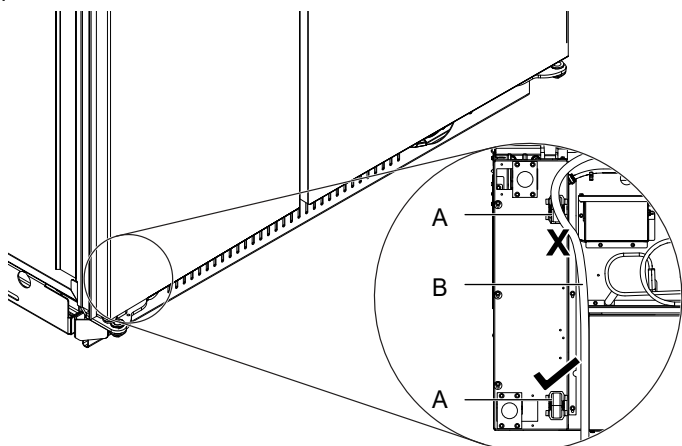
A. Finitions latérales
B. Vis

- Aligner et acheminer la longueur restante de la conduite d'alimentation en eau sous l'ouverture du réfrigérateur spécifiée.



A. Conduite d'alimentation en eau

IMPORTANT : Éviter de faire passer la conduite d'eau sous les roues du réfrigérateur afin d'éviter que la conduite d'eau ne se plie.



A. Roues à rouleaux
B. Conduite d'eau

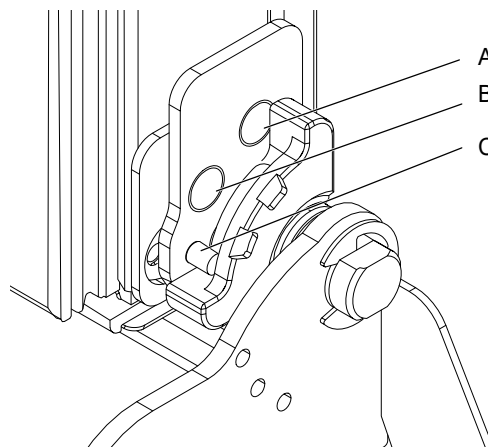
Réglage de l'ouverture de la porte

Il y a trois réglages d'ouverture maximale de la porte : 90°, 110° et 130°.

Charnières inférieures

- Vérifier que la porte du réfrigérateur peut s'ouvrir librement. Si la porte s'ouvre trop grande, enlever la ou les vis de butée de porte (selon le modèle) de la charnière inférieure.
- Maintenir la porte à une position inférieure à 90°.

- Réinstaller la ou les vis de butée de porte dans la charnière inférieure et serrer.

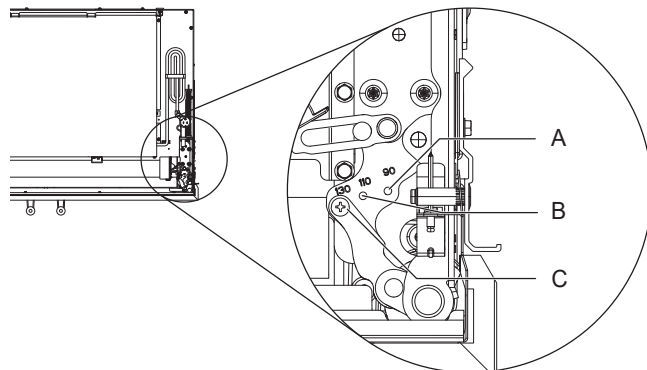


A. Position 130°
B. Position 110°
C. Position 90°

Charnières supérieures

S'assurer que le réglage de l'ouverture de la porte pour les charnières inférieures et supérieures est cohérent.

- Fermer les deux portes.
- Retirer la vis de réglage de l'ouverture de la porte. Réinstaller dans la position requise pour l'ouverture de la porte.



A. Position 90°
B. Position 110°
C. Position 130° avec vis de réglage de l'ouverture de la porte

Brancher le réfrigérateur

⚠ AVERTISSEMENT



Risque de décharge électrique

Brancher l'appareil sur une prise à 3 alvéoles reliée à la terre.

Ne pas enlever la prise de liaison à la terre.

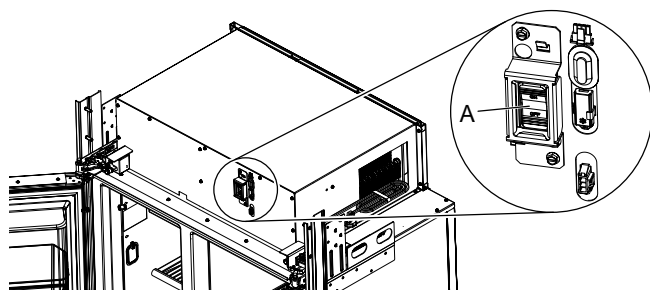
Ne pas utiliser d'adaptateur.

Ne pas utiliser de rallonge.

Le non-respect de ces instructions peut causer un décès, un incendie ou une décharge électrique.

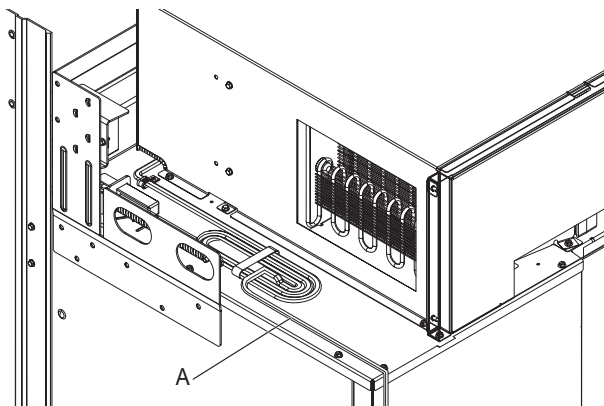
Si le cordon d'alimentation est endommagé, il doit être remplacé par le fabricant, son agent de service ou toute autre personne également qualifiée. Ne pas utiliser un cordon craquelé ou qui présente des dommages d'abrasion sur la gaine, la fiche ou le connecteur.

1. Régler la commande sur la partie supérieure de la caisse à la position OFF (arrêt).



A. Interrupteur d'alimentation

2. Brancher l'appareil dans une prise à 3 alvéoles reliée à la terre.
3. Enrouler et fixer soigneusement l'excédent de cordon d'alimentation au haut de la caisse du réfrigérateur, à côté du compartiment de la machine, en veillant à ce qu'il ne pende pas entre le réfrigérateur et les armoires qui l'entourent.



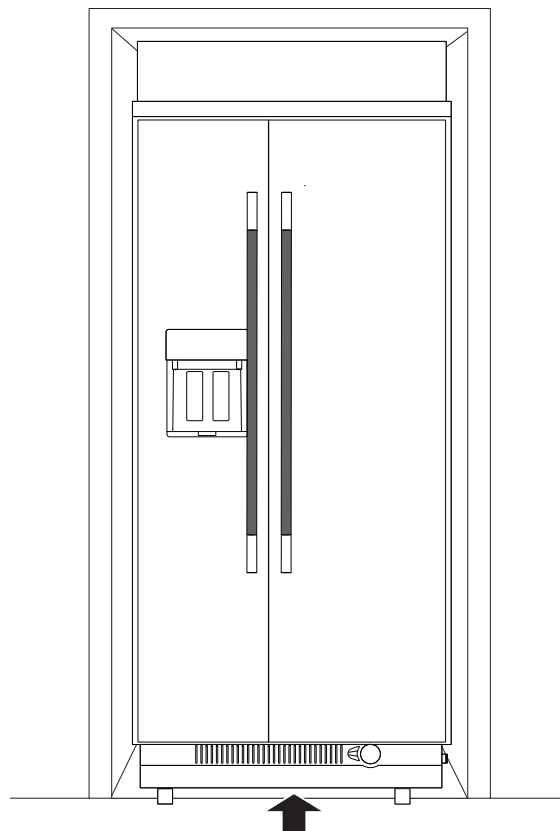
A. Cordon d'alimentation

Déplacement du réfrigérateur dans l'ouverture de l'armoire

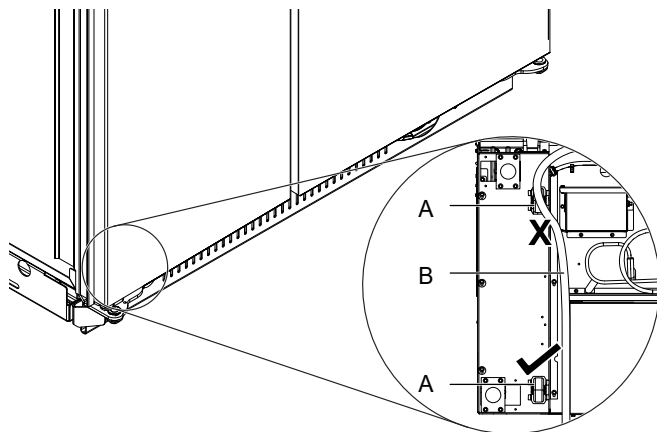
Déplacement du réfrigérateur dans l'ouverture de l'armoire

1. S'assurer que les pieds de nivellement sont complètement relevés pour éviter d'endommager le sol.
2. Replacer en douceur le réfrigérateur en le roulant dans l'ouverture de l'armoire et en le guidant pour éviter tout contact avec les côtés, jusqu'à ce que les garnitures latérales du réfrigérateur s'insèrent dans la façade de l'armoire. Voir l'illustration.

REMARQUE : Si le robinet d'arrêt d'eau se trouve à l'arrière de l'appareil, il doit être raccordé maintenant ou un autre robinet d'arrêt doit être ajouté à l'avant de l'appareil et ouvrir celui qui se trouve à l'arrière de l'appareil.



3. Vérifier visuellement que le cordon d'alimentation et la conduite d'eau ne sont pas coincés ou pincés.



A. Roues à rouleaux
B. Conduite d'eau

Réglage de l'aplomb et alignement du réfrigérateur

AVERTISSEMENT



Risque de basculement

La partie du haut du réfrigérateur est très lourde, ce qui peut le faire basculer facilement lorsqu'il n'est pas complètement installé.

Garder les portes fermées avec du ruban jusqu'à la fin de l'installation du réfrigérateur.

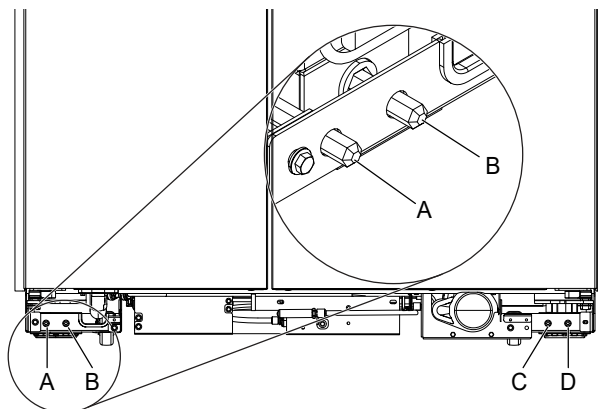
Utiliser au moins deux personnes pour déplacer et installer le réfrigérateur.

Ne pas respecter cette instruction peut causer un décès ou une blessure grave.

IMPORTANT : Les quatre roulettes doivent toucher le plancher pour supporter et stabiliser le poids total du réfrigérateur. Les roulettes ne sont utilisées que pour le déplacement du réfrigérateur, et non pas pour un soutien permanent.

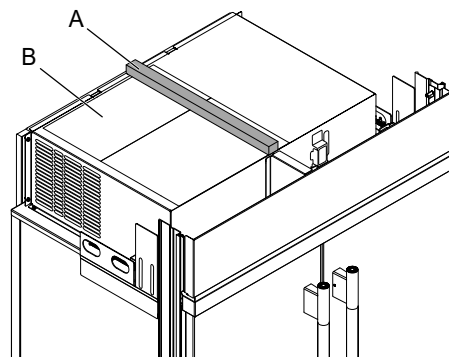
Après avoir déplacé le réfrigérateur jusqu'à sa position de service finale :

1. Utiliser une perceuse sans fil réglée sur une faible vitesse et un faible couple, ainsi qu'un tournevis à douille de 5/16 po pour tourner lentement les boulons de mise à niveau dans le sens des aiguilles d'une montre jusqu'à ce que les pieds soient fermement en contact avec le sol.



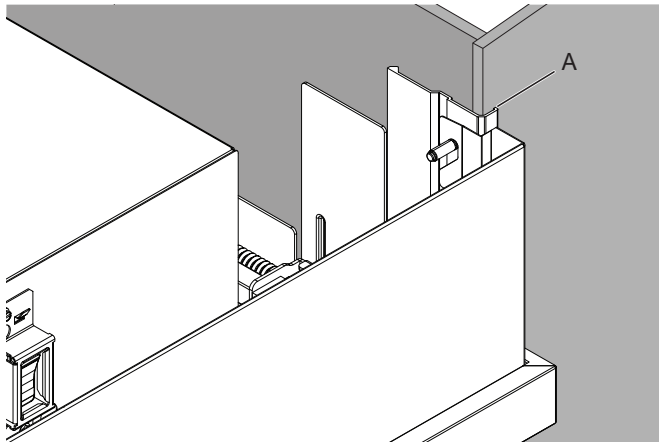
A. Boulon d'ajustement de l'aplomb (arrière)
B. Boulon d'ajustement de l'aplomb (avant)
C. Boulon d'ajustement de l'aplomb (arrière)
D. Boulon d'ajustement de l'aplomb (avant)

2. Ajuster chaque pied de 1/4 po (6 mm) à la fois, puis passer au pied suivant.
3. Ajuster les pieds de nivellement pour mettre le réfrigérateur à niveau et l'aligner de gauche à droite et d'arrière en avant (répéter si nécessaire) jusqu'à ce que le réfrigérateur soit à niveau avec l'armoire.



A. Joint d'étanchéité
B. Couvercle du compresseur

4. La hauteur du réfrigérateur doit être réglée de manière à ce que le compartiment de la machine comprime le joint supérieur sur le soffite de l'armoire et que les garnitures latérales soient bien ajustées à l'avant et au sommet de la surface de l'armoire.



A. 0 po (sans espace)

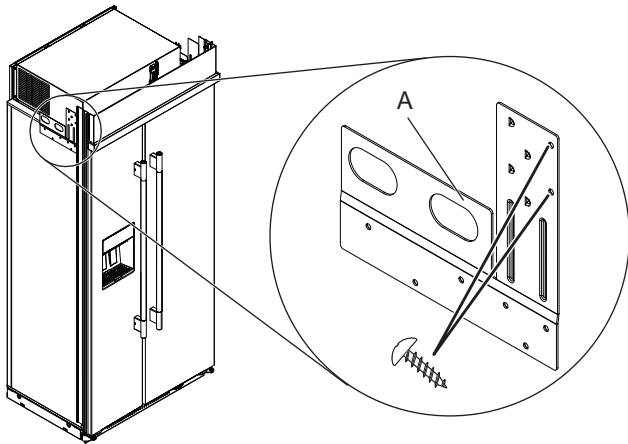
REMARQUE : La surface de l'armoire doit être verticale pour une insertion parfaite de la garniture latérale du réfrigérateur.

Fixer le réfrigérateur dans l'ouverture de l'armoire

IMPORTANT :

- S'assurer d'effectuer tous les réglages avant de fixer le réfrigérateur.
- L'utilisation de supports d'installation est nécessaire pour assurer l'ancrage et l'anti-basculement du produit.

Supports d'installation supérieurs



A. Supports d'installation supérieurs

1. À l'aide de vis à bois no 8 x 3/4 po, fixer les deux supports d'installation supérieurs aux tasseaux/retours latéraux gauche et droit de l'armoire.

REMARQUE : Il est recommandé d'utiliser au moins deux vis à bois pour fixer chaque support d'installation supérieur.

Raccordement à la conduite d'eau

Lire toutes les instructions avant de commencer.

IMPORTANT :

- Avant de raccorder la conduite d'eau au réfrigérateur, rincer la conduite d'eau.
- Le rinçage permet d'éviter les coudes, d'éliminer les particules et de prévenir les obstructions.
- Si le réfrigérateur est branché avant d'avoir été raccordé à la conduite d'eau, s'assurer que la machine à glaçons est éteinte.
- Brancher sur une alimentation en eau potable uniquement.

Ne pas utiliser ce produit pour filtrer une eau microbiologiquement polluée ou de qualité inconnue en l'absence d'un dispositif de désinfection adéquat en amont ou en aval du système. Les systèmes certifiés pour la réduction des kystes peuvent être utilisés pour une eau désinfectée susceptible de contenir des kystes filtrables.

1. Placer l'extrémité de la conduite d'alimentation en eau dans un seau.



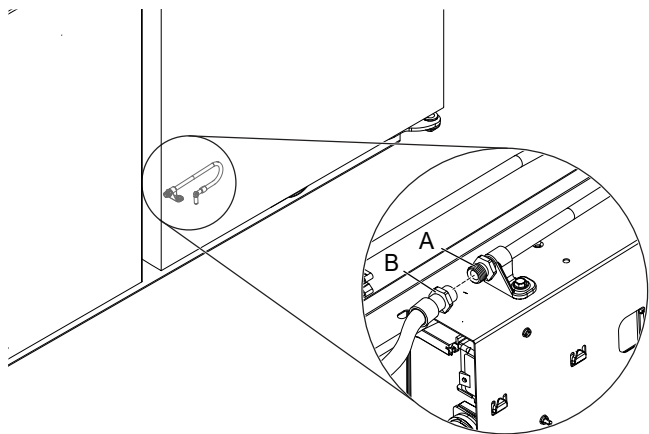
2. Ouvrir le robinet d'arrêt d'eau principal. Il faut être prêt, car l'eau va s'écouler librement de la conduite.
3. Rincer la conduite d'eau pendant au moins une minute ou jusqu'à ce que l'eau soit claire.



4. Fermer le robinet d'arrêt d'eau principal.

REMARQUE : En option : ajouter un robinet d'arrêt 1/4 de tour sur la conduite pour faciliter l'accès.

- Raccorder la conduite d'eau à l'entrée du réfrigérateur (en bas à l'avant de la caisse du réfrigérateur).



- A. Point d'entrée du raccordement à l'alimentation en eau
 B. Conduite d'eau de la maison

- Utiliser deux clés à molette pour serrer le raccord. L'une des clés doit maintenir le raccord du robinet, tandis que l'autre serre l'écrou de la conduite d'eau. Ne pas serrer excessivement.
- Ouvrir l'eau, vérifier qu'il n'y a pas de fuites au niveau de tous les raccords de la conduite d'eau, y compris le robinet d'arrêt, et les resserrer si nécessaire.

Ajustement des portes

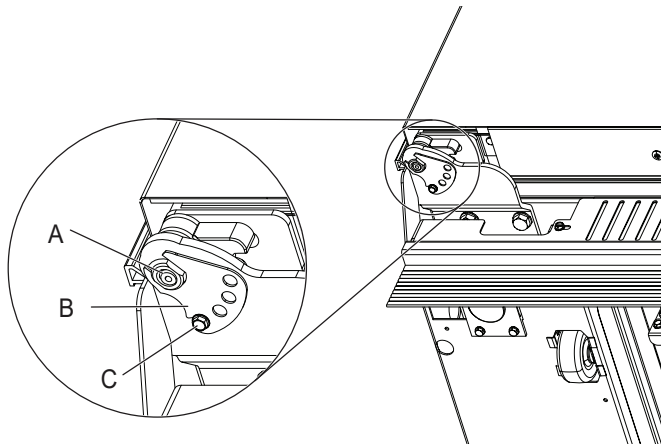
Risque de pincement

ATTENTION : L'installation de panneaux de porte avec un espacement de moins de 3/8 po (9,5 mm) entre le panneau de porte et l'armoire adjacente augmente le risque de pincement.

Réglage de la hauteur de la porte

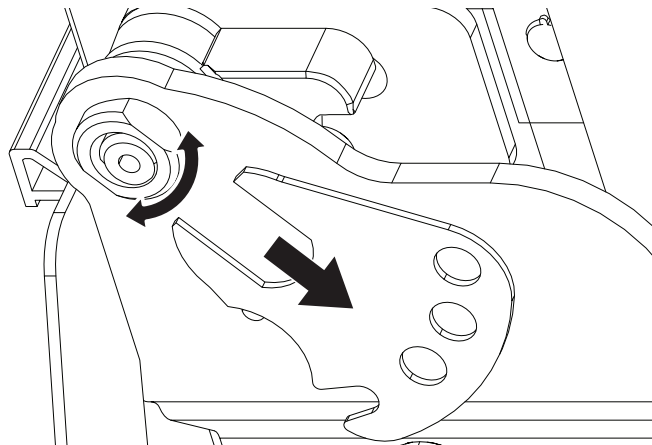
Suivre les étapes suivantes pour ajuster la hauteur des portes vers le haut ou vers le bas, après que les portes ont été mises d'aplomb.

- Ouvrir la porte du congélateur ou du réfrigérateur. Localiser la charnière inférieure et retirer la vis de butée de la porte.
- Ôter la vis de la plaque de verrouillage sur la face inférieure de la charnière à l'aide d'une clé à fourche de 3/8 po.

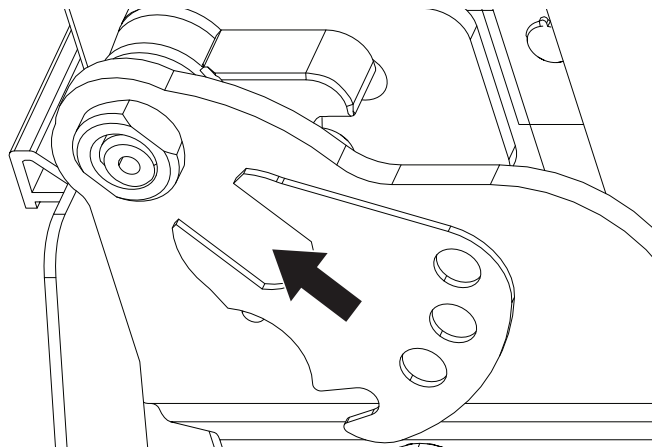


- A. Bague
 B. Plaque de verrouillage
 C. Vis de butée de porte

- Enlever la plaque de verrouillage de la bague comme illustré.



- Faire tourner les bagues situées sous la charnière – utiliser une clé à fourche de 1/2 po. La rotation de la bague vers la gauche provoque un abaissement de la porte. La rotation de la bague vers la droite provoque un soulèvement de la porte.
- Après le réglage, contrôler le bon ajustement des portes : niveau identique en haut et en bas. Si les portes ne sont pas égales, continuer de tourner la bague pour ajuster la hauteur de la porte.
- Réinstaller la plaque de verrouillage.

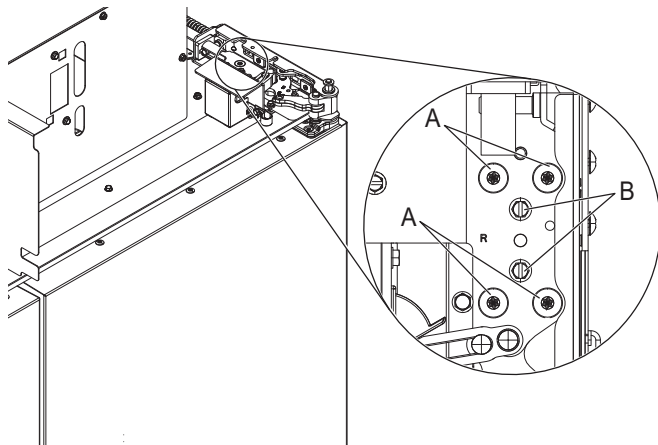


- Tourner légèrement la bague pour aligner les trous de vis de la charnière et de la plaque de verrouillage.
- Réinstaller la ou les vis de la butée de porte et serrer.
- Procéder à une vérification finale pour s'assurer que les portes sont alignées et égales.

Réglage de la garniture porte-à-porte ou porte-à-réfrigérateur

- Desserrer, mais ne pas retirer, les quatre vis de montage à tête plate Torx T27. Enlever et jeter les deux vis à tête hexagonale de 1/4 po
- Régler la charnière supérieure de l'une des deux portes pour l'aligner avec l'autre porte ou la garniture du réfrigérateur.

- Serrer les quatre vis de montage à tête plate Torx T27 d'un couple d'environ 100 lb-po (11,3 Nm).



A. Vis de montage à tête plate Torx T27
B. Vis de montage à tête hexagonale de 1/4 po

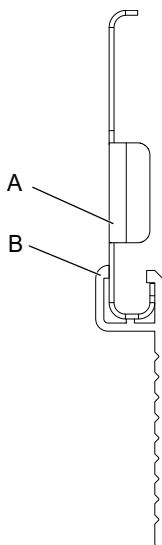
Installation de la grille de la base

La grille de base comporte deux pièces permettant un ajustement personnalisé : la grille de base elle-même et la plinthe. La plinthe peut être ajoutée à la grille de la base pour la prolonger jusqu'au plancher.

- Pour voir si la plinthe est nécessaire, placer la grille de la base en position. Ne pas fixer la grille de la base au réfrigérateur. Mesurer la distance entre le fond de la grille de la base et le plancher. L'espace doit mesurer au moins 1/2 po (12,7 mm) pour que l'on puisse ajouter la plinthe.

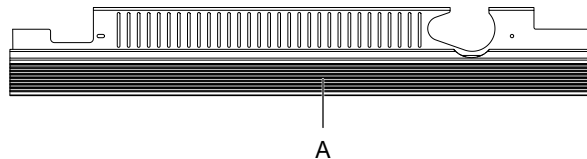
REMARQUE : Si l'espace mesure moins de 1/2 po (12,7 mm), omettre les étapes 3 et 4 des instructions et installer uniquement la grille de la base.

- Enlever la pellicule de protection de la grille de la base.
- Emboîter la plinthe sur la grille de la base.



A. Grille de la base
B. Plinthe

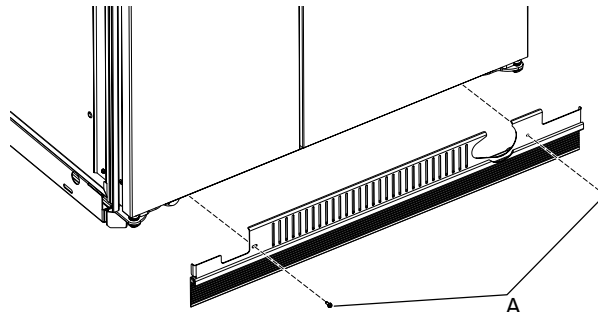
- Entailler la plinthe en marquant la rainure en V appropriée avec un couteau utilitaire. Briser la plinthe au niveau de la ligne de l'entaille.



A. Rainure en « V »

- À l'aide des 2 vis, fixer la grille de la base au réfrigérateur, tel qu'illustré.

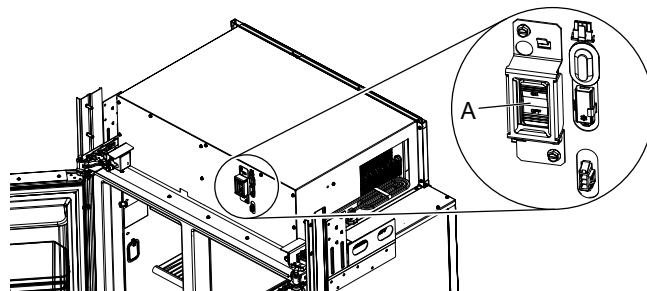
REMARQUE : Insérer d'abord la vis du côté droit.



A. (2) vis

Terminer l'installation

- Tourner le robinet de la canalisation d'eau à la position « Ouverte ».
- Tourner le commutateur du réfrigérateur à la position ON (marche). Voir la section « Interrupteur d'alimentation marche/arrêt » dans le Guide d'utilisation pour obtenir les instructions. Attendre quelques minutes. Vérifier les raccords de la canalisation d'eau pour confirmer l'absence de fuites.



A. Interrupteur d'alimentation

- Retirer les boîtes, composants et matériaux d'emballage de l'intérieur du réfrigérateur. Consulter la section « Nettoyage » du manuel de l'utilisateur pour obtenir les instructions. Ôter la pellicule et le carton de la grille et des portes ou du châssis de la porte, selon le modèle.
- Installer les tablettes et balconnets dans les compartiments de réfrigération et de congélation.
- Les commandes sont pré-réglées à l'usine au réglage moyen. S'assurer que le compresseur fonctionne bien et que tous les témoins sont en bon état de marche.
- Si la construction doit continuer après l'installation du réfrigérateur, régler les commandes à OFF (arrêt).
- Pour l'utilisation la plus efficace de votre nouveau réfrigérateur encastré, lire le Manuel d'utilisation. Conserver les « Instructions d'installation » à proximité du réfrigérateur encastré pour pouvoir les consulter facilement.

Préparation du circuit d'eau

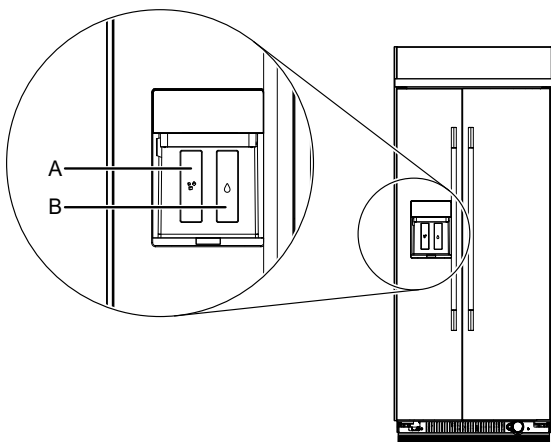
Lire avant d'utiliser le circuit d'eau. Suivre les instructions relatives au modèle de réfrigérateur utilisé.

- Brancher sur une alimentation en eau potable uniquement.
- S'assurer que le robinet d'eau est ouvert avant d'appeler le service d'assistance.
- Ne pas utiliser ce produit pour filtrer une eau microbiologiquement polluée ou de qualité inconnue en l'absence d'un dispositif de désinfection adéquat en amont ou en aval du système. Les systèmes certifiés pour la réduction des kystes peuvent être utilisés pour une eau désinfectée susceptible de contenir des kystes filtrables.

REMARQUE :

- Après avoir installé/remplacé le filtre à eau, attendre 24 h pour la première production de glace.
- Jeter le premier bac de glaçons produit.
- Le bac à glaçons se remplira complètement au bout de 3 jours environ, en fonction de la glace et de l'utilisation du congélateur.
- S'assurer que le filtre à la grille de la base est bien installé et que la capsule est à la position horizontale.

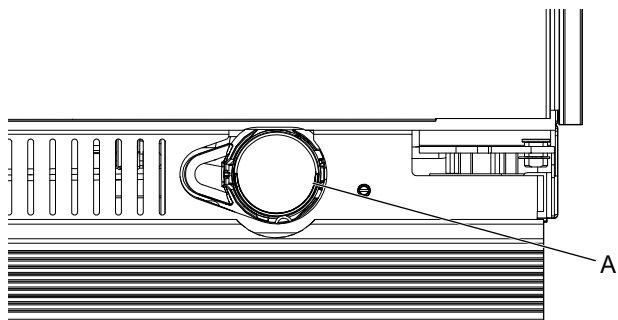
Style 1 (modèles avec distributeur)



A. Distributeur de glace
B. Distributeur d'eau

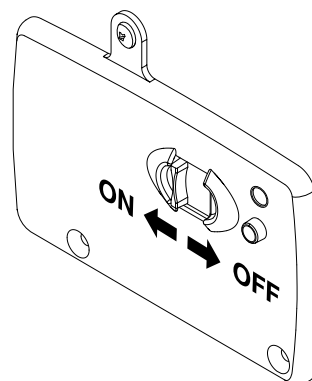
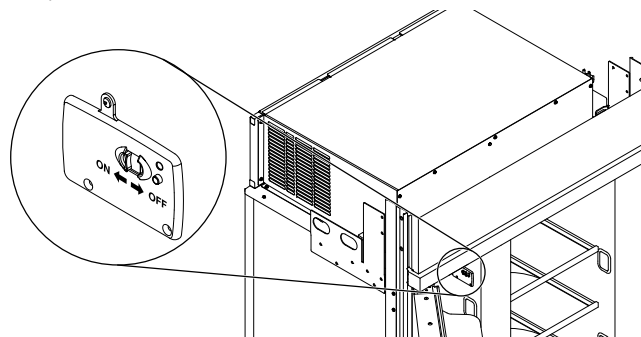
IMPORTANT : Après avoir raccordé le réfrigérateur à l'alimentation en eau ou avoir remplacé le filtre à eau, suivre les étapes ci-dessous pour s'assurer que le circuit d'eau est correctement nettoyé. Ceci évacue l'air du filtre et du système de distribution d'eau et rend le filtre à eau opérationnel.

REMARQUE : Si votre modèle est muni d'un système de filtre à la grille de la base, s'assurer que le filtre à la grille de la base est bien installé et que la capsule est à la position horizontale.



A. Filtre à eau

1. Ouvrir la porte du congélateur et éteindre la machine à glaçons. Le commutateur ON/OFF (MARCHE/ARRÊT) se trouve dans la partie supérieure droite du compartiment de congélation. Tourner le commutateur au réglage OFF (à droite) comme illustré.

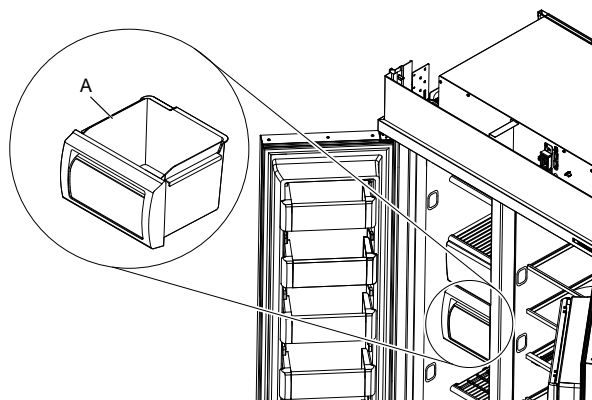


2. Utiliser un récipient robuste pour appuyer sur le levier du distributeur d'eau pendant 5 secondes, puis relâcher le levier pendant 5 secondes. Répéter l'opération jusqu'à ce que l'eau commence à couler, continuer d'appuyer et de relâcher la plaque du distributeur (appui pendant 5 secondes, relâchement pendant 5 secondes) jusqu'à ce qu'un total de 3 gal (12 L) ait été distribué. Ceci évacue l'air du filtre et du système de distribution d'eau et rend le filtre à eau opérationnel. Un amorçage supplémentaire peut s'avérer nécessaire dans certains domiciles.

REMARQUE : Pendant l'évacuation de l'air du système, de l'eau peut gicler du distributeur.

3. Ouvrir la porte du congélateur et mettre en marche la machine à glaçons. Mettre le commutateur à la position ON (marche) (vers la gauche).

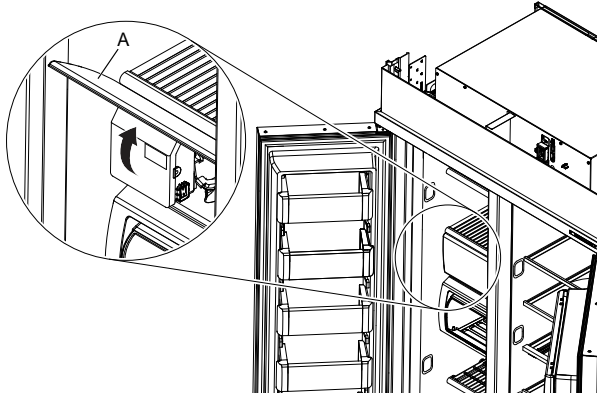
Style 2 (modèles sans distributeur)



A. Tiroir à glaçons

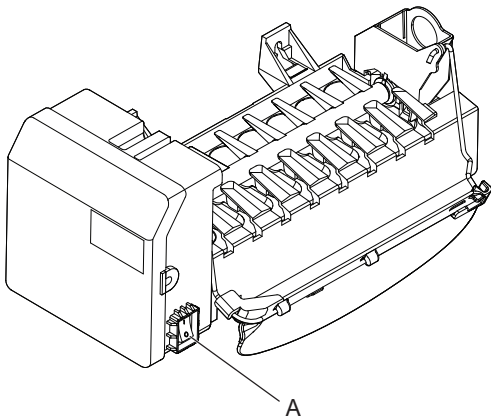
Pour activer ou désactiver la machine à glaçons :

1. Relever le couvercle de la machine à glaçons.



A. Couvercle de la machine à glaçons

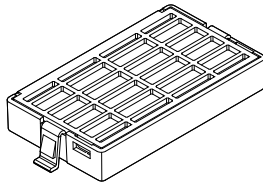
2. Utiliser l'interrupteur pour activer ou désactiver la machine à glaçons.



A. Interrupteur de la machine à glaçons

Filtre à odeur (filtre à air FreshFlow™)

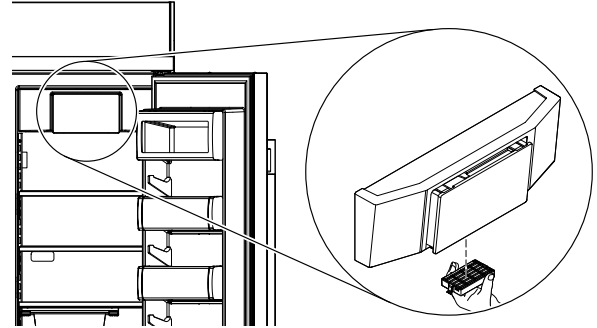
Le sachet d'accessoires du réfrigérateur comprend un filtre à air FreshFlow™ qui doit être installé avant d'utiliser le réfrigérateur. Voir les instructions d'installation pour obtenir plus de renseignements.



Ce filtre à odeurs réduit l'accumulation d'odeurs. Ceci aide à maintenir un environnement plus propre à l'intérieur du réfrigérateur.

Installation du filtre à odeurs

Le filtre à odeurs doit être installé derrière la porte à aérations, située (selon le modèle) le long de la paroi intérieure gauche ou arrière, à proximité du sommet du compartiment de réfrigération.



1. Retirer le filtre à odeurs de son emballage.
2. Le mettre en place.

Remplacement du filtre à odeurs

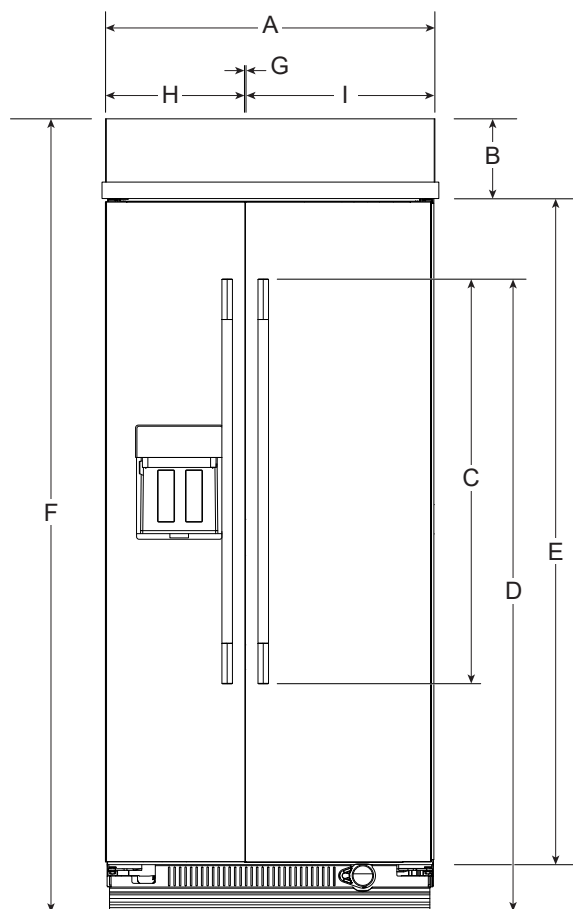
Le filtre à odeurs jetable doit être remplacé tous les 6 mois, lorsque le témoin est entièrement passé du blanc au rouge.

Pour remplacer le filtre à odeurs, commander la pièce de rechange **W10311524** en ligne.

- Retirer l'ancien filtre à odeurs en serrant les onglets latéraux.
- Installer le filtre à odeurs et le témoin neufs à l'aide des instructions des sections précédentes.

Dimensions supplémentaires du produit

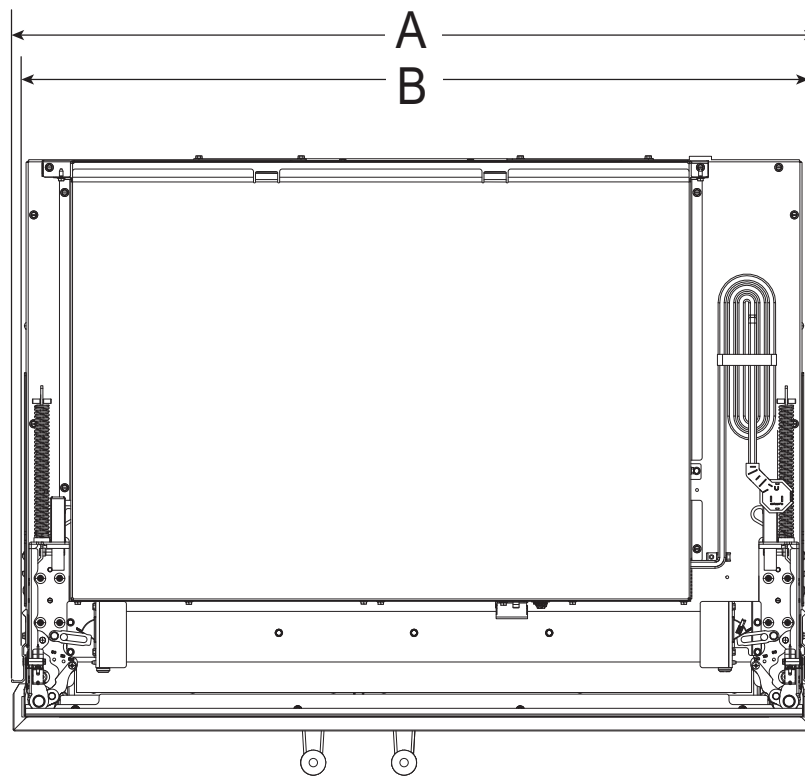
Vue de face



Dimension		Modèle 36 po	Modèle 42 po	Modèle 48 po
A	Largeur totale	36 ³ / ₈ po (923 mm)	42 ⁵ / ₁₆ po (1 075 mm)	47 ³ / ₁₆ po (1 199 mm)
B	Hauteur de la grille supérieure	8 ¹⁵ / ₁₆ po (226,45 mm)		
C	Hauteur de la poignée	43 ⁷ / ₁₆ po (1 103 mm)		
D	Hauteur jusqu'au haut de la poignée	66 po (1 677 mm)		
E	Hauteur de la porte	70 ⁷ / ₈ po (1 800 mm)		
F	Hauteur totale	83 ¹ / ₄ po (2 115 mm)		
G	Espace de la porte	1/4 po (6,61 mm)		
H	Largeur de la porte du congélateur	15 po (380,86 mm)	17 ¹ / ₂ po (444,36 mm)	20 po (508,54 mm)
I	Largeur de la porte du réfrigérateur	20 po (507,6 mm)	23 ⁷ / ₁₆ po (595,5 mm)	27 po (685,4 mm)

Lorsque les pieds de nivellement sont totalement déployés de 1 ¹/₄ po (32 mm) au-dessous des roulettes, ajouter 1 ¹/₈ po (29 mm) à la hauteur totale.

Vue du dessus

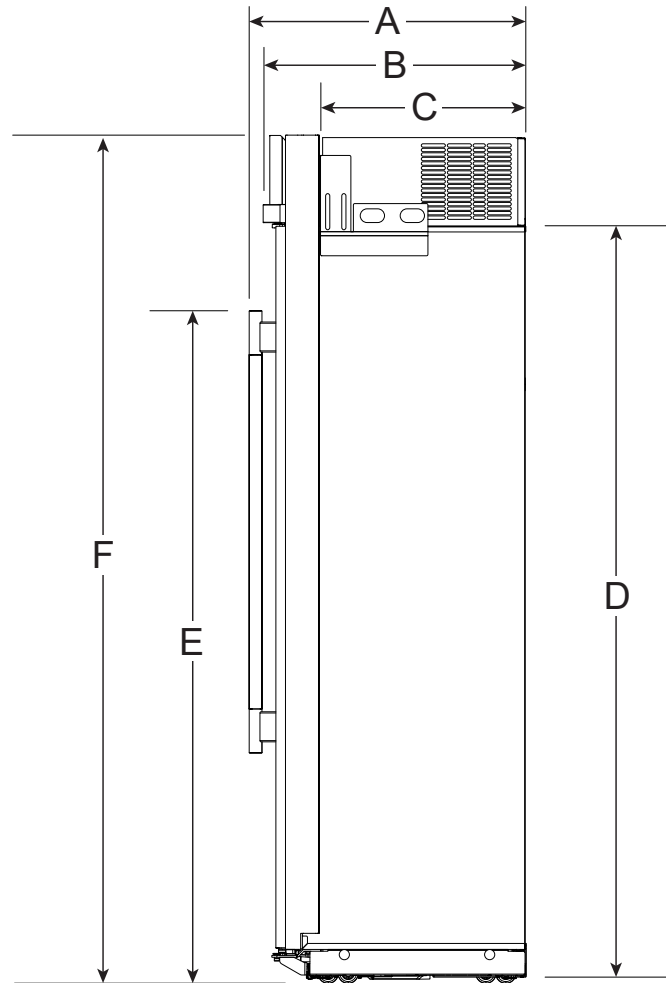


Dimension		Modèle 36 po	Modèle 42 po	Modèle 48 po
A	Largeur totale incluant les finitions	36 ⁵ / ₁₆ po (923,16 mm)	42 ⁵ / ₁₆ po (1 075,5 mm)	48 ³ / ₈ po (1 228 mm)
B	Largeur totale	35 ³ / ₈ po (898 mm)	41 ⁵ / ₁₆ po (1 050 mm)	47 ³ / ₁₆ po (1 199 mm)

REMARQUE : La largeur totale est mesurée d'un bord à l'autre de la garniture latérale.

Vue latérale

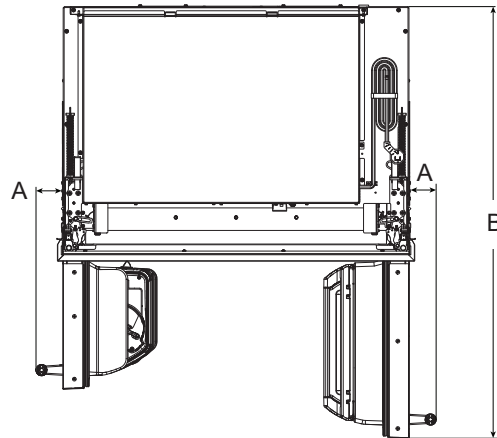
- La profondeur de l'avant de la grille supérieure à l'arrière de la caisse du réfrigérateur est de $25 \frac{3}{8}$ po (645 mm).
- La longueur du cordon d'alimentation est de 84 po (2 134 mm).
- Les dimensions de hauteur indiquées correspondent à la situation où les pieds de nivellement déployés dépassent de $\frac{1}{8}$ po (3 mm) au-dessous des roulettes.



Description		po	mm
A	Profondeur avec poignées	$27 \frac{13}{16}$	706
B	Profondeur de l'armoire	$25 \frac{13}{16}$	655
C	Profondeur du compartiment de la machine	$19 \frac{7}{8}$	505
D	Hauteur de la caisse	$74 \frac{3}{8}$	1889
E	Hauteur jusqu'au haut de la poignée	66	1 677
F	Hauteur totale	$83 \frac{1}{4}$	2 115

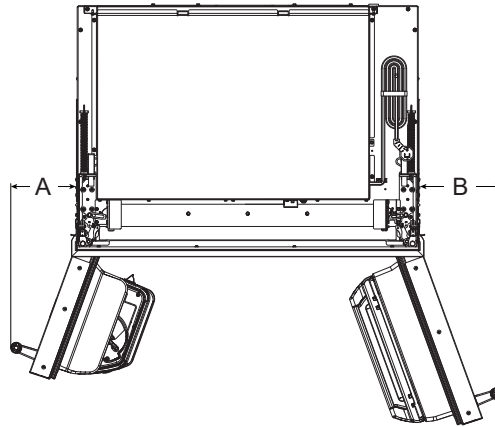
Lorsque les pieds de nivellement sont totalement déployés de $1 \frac{1}{4}$ po (32 mm) au-dessous des roulettes, ajouter $1 \frac{1}{8}$ po (29 mm) à la hauteur totale.

Modèle 36 po
Ouverture de porte à 90°



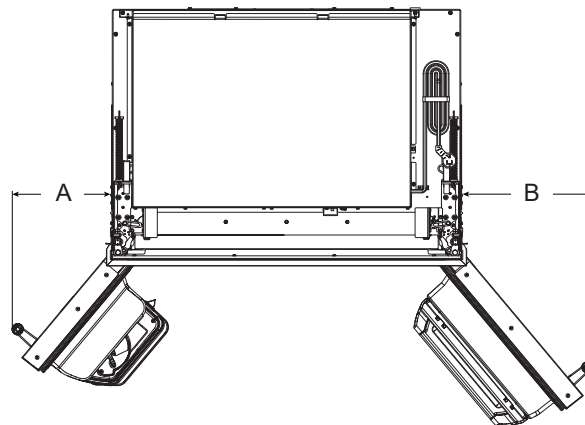
A. $2 \frac{3}{4}$ po (69,9 mm)
B. $43 \frac{3}{4}$ po (1 111,1 mm)

Ouverture de porte à 110°



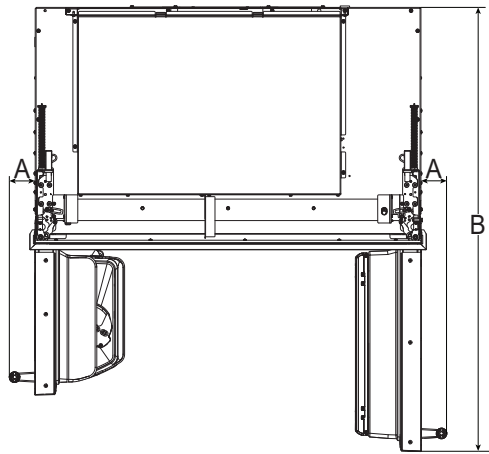
A. $6 \frac{3}{4}$ po (172,3 mm)
B. $8 \frac{1}{2}$ po (215,8 mm)

Ouverture de porte à 130°



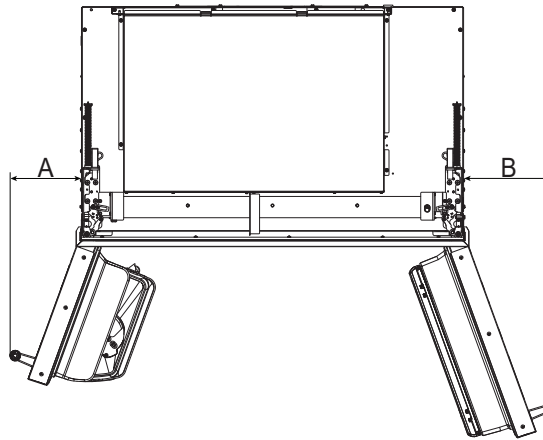
A. $9 \frac{15}{16}$ po (252,2 mm)
B. $13 \frac{1}{8}$ po (333,8 mm)

Modèle 42 po
Ouverture de porte à 90°



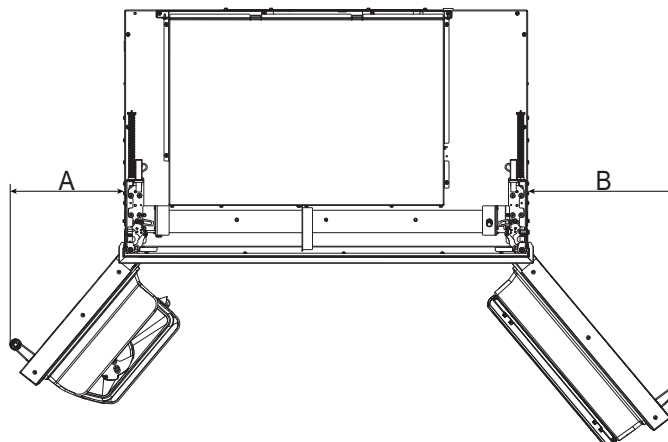
A. $2 \frac{3}{4}$ po (69,9 mm)
B. $47 \frac{1}{4}$ po (1 199,9 mm)

Ouverture de porte à 110°



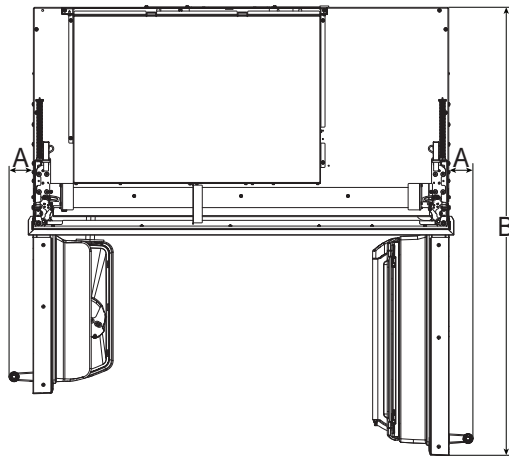
A. $7 \frac{5}{8}$ po (194 mm)
B. $9 \frac{11}{16}$ po (246 mm)

Ouverture de porte à 130°



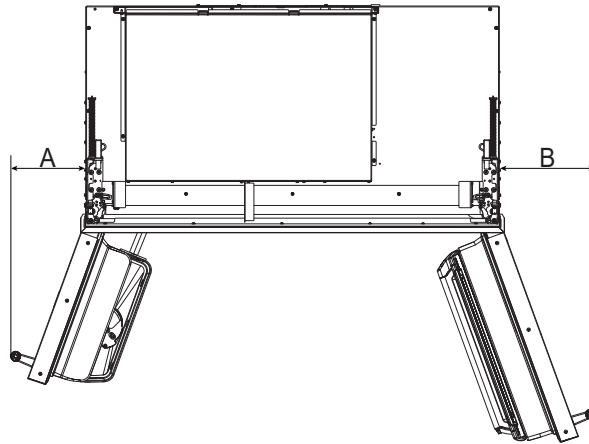
A. $11 \frac{9}{16}$ po (293 mm)
B. $15 \frac{3}{8}$ po (390 mm)

Modèle 48 po
Ouverture de porte à 90°



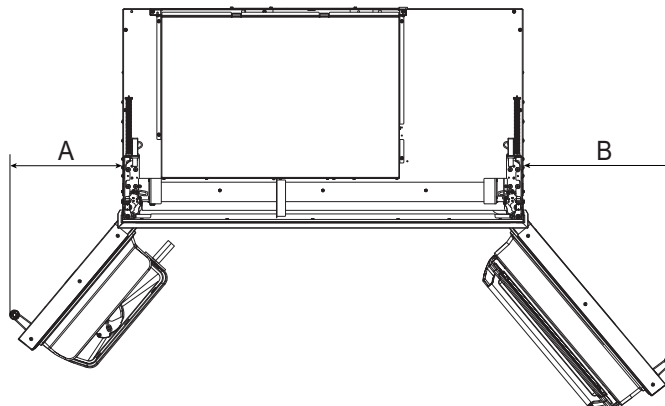
A. $2 \frac{3}{4}$ po (69,9 mm)
B. $50 \frac{3}{4}$ po (1 288,9 mm)

Ouverture de porte à 110°



A. $8 \frac{1}{2}$ po (215,8 mm)
B. $10 \frac{7}{8}$ po (276,6 mm)

Ouverture de porte à 130°



A. $13 \frac{1}{8}$ po (333,8 mm)
B. $17 \frac{5}{8}$ po (448 mm)

NOTES

NOTES

NOTES

NOTES

NOTES

