



6.3 cu. ft. Dual Fuel Commercial-Style Range

KDRS483V



Stainless Steel
KDRS483VSS

Capacity

Ovens 6.3 cu. ft.

General Features & Properties

Two 20K BTU Ultra Power™ Dual-Flame Burners

5K BTU Simmer/Melt Burner - Reduces to 500 BTUs

EasyConvect™ Conversion System

Convect Bake, Roast, and Broil

6.3 cu. ft. Total Capacity

Star-K Certified

Electrical Details

Amps 40 or 50

Volts 120/240

Certifications

ADA Compliant Yes

Star-K Certified/Kosher Yes

Technical Details

Fuel Type Dual Fuel

Range Type Slide-In

Oven Cooking System Convection

Number of Oven Racks 2 Left
3 Right

Cleaning Type Self-Cleaning

Number of Burners 6

Burner Type Dual Flame & Sealed Burners

Burner Size/Power (2) 20000 BTU
(3) 15000 BTU
(1) 5000 BTU

Dimensions

Product Dimensions (H x W x D) 35-3/4" x 48" x 29-9/16"

Reference Material

[Dimension Guide](#)

[Install Guide](#)

[Use & Care Guide](#)

[Warranty](#)

Key Features & Benefits

Dual Fuel Range

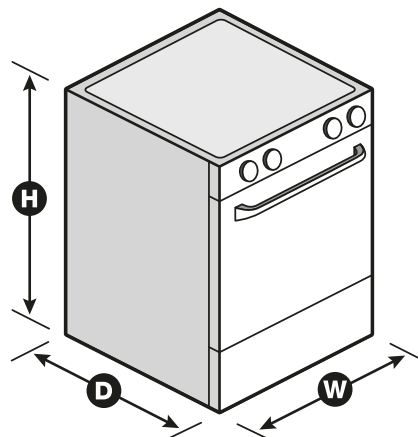
Satisfies the culinary needs of the most demanding cooks by combining the precise control of a gas cooking surface with an electric oven.

Even-Heat™ True Convection Oven

Provides consistent heating and even cooking on all racks with a unique bow-tie shaped design and convection fan that helps ensure no burnt edges or undercooked centers.

Even-Heat™ Chrome Electric Griddle

Provides exceptional cooking performance and features an easy-to-clean surface.



NOTE: Dimensions are for planning purposes only. For complete details, see Installation Instructions packed with product. Specifications subject to change without notice.

®/™ © 2020. All rights reserved. Printed in the U.S.A. D200052XXB. KDRS483VSPECSHEETV01.