

HESTAN

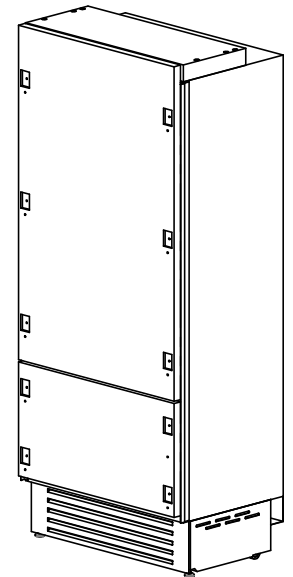
**Refrigerator, Bottom-Mount, Bottom
Compressor w/ Overlay Door**

KRBx36-OV

Parts List

**Hestan Commercial Corporation
3375 E. La Palma Ave.
Anaheim, CA 92806
(888)905-7463**

RETAIN THIS FOR FUTURE REFERENCE



KRBR36-OV SHOWN

6

5

4

3

2

1

D

D

C

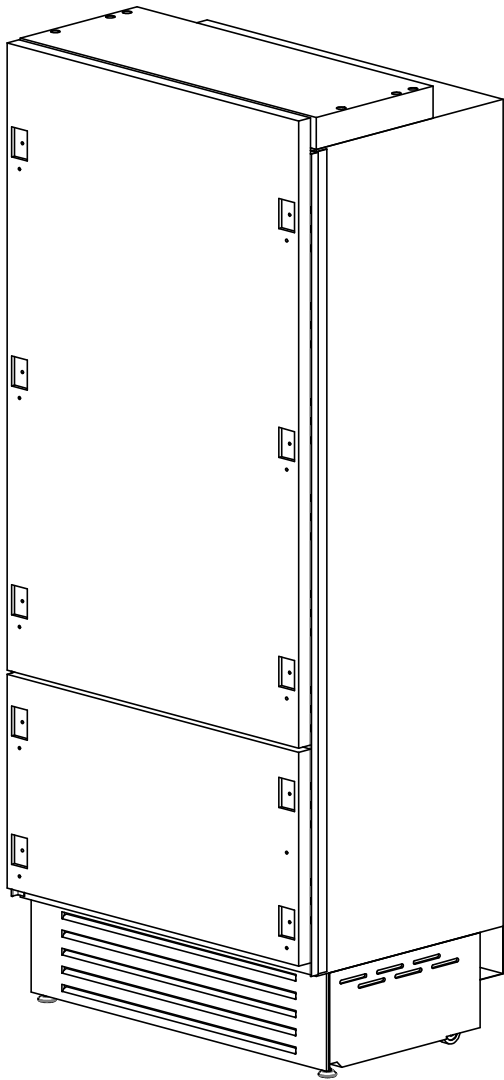
C

B

B

A

A



KRBR36-OV SHOWN

| Hestan Model Number | Product Description |
|---------------------|--|
| KRBR36-OV | Bottom Mount Refrigerator, Bottom Compressor, Overlay, Right Hinged, 36" |
| KRBL36-OV | Bottom Mount Refrigerator, Bottom Compressor, Overlay, Left Hinged, 36" |



PROPRIETARY
 NO PART OF THIS DOCUMENT MAY BE REPRODUCED,
 STORED IN A RETRIEVAL SYSTEM, OR TRANSMITTED IN
 ANY FORM, WITHOUT THE WRITTEN PERMISSION OF
 Hestan Commercial Corporation. THIS DOCUMENT OR ANY
 COPIES SHALL BE RETURNED UPON WRITTEN REQUEST.

DESCRIPTION

**SERVICE, BOTTOM-MOUNT REFRIGERATOR,
 BOTTOM COMPRESSOR, (KRBx36-OV)**

DRAWING NO

KRB-OV-SERVICE

REVISION

J

SHEET NO.
1 OF 5

6

5

4

3

2

1

6

5

4

3

2

1

D

D

C

C

B

B

A

A

SPRING RH LH

268 125 126

195 RH

196 LH

260

161

161

143

264

57

RH LH
109 110

58

RH LH
111 115

68

87

69

69

88

68



PROPRIETARY
NO PART OF THIS DOCUMENT MAY BE REPRODUCED,
STORED IN A RETRIEVAL SYSTEM, OR TRANSMITTED IN
ANY FORM, WITHOUT THE WRITTEN PERMISSION OF
Hestan Commercial Corporation. THIS DOCUMENT OR ANY
COPIES SHALL BE RETURNED UPON WRITTEN REQUEST.

DESCRIPTION

**SERVICE, BOTTOM-MOUNT REFRIGERATOR,
BOTTOM COMPRESSOR, (KRBx36-OV)**

DRAWING NO

KRB-OV-SERVICE

REVISION

J

SHEET NO.
2 OF 5

6

5

4

3

2

1

6

5

4

3

2

1

D

D

C

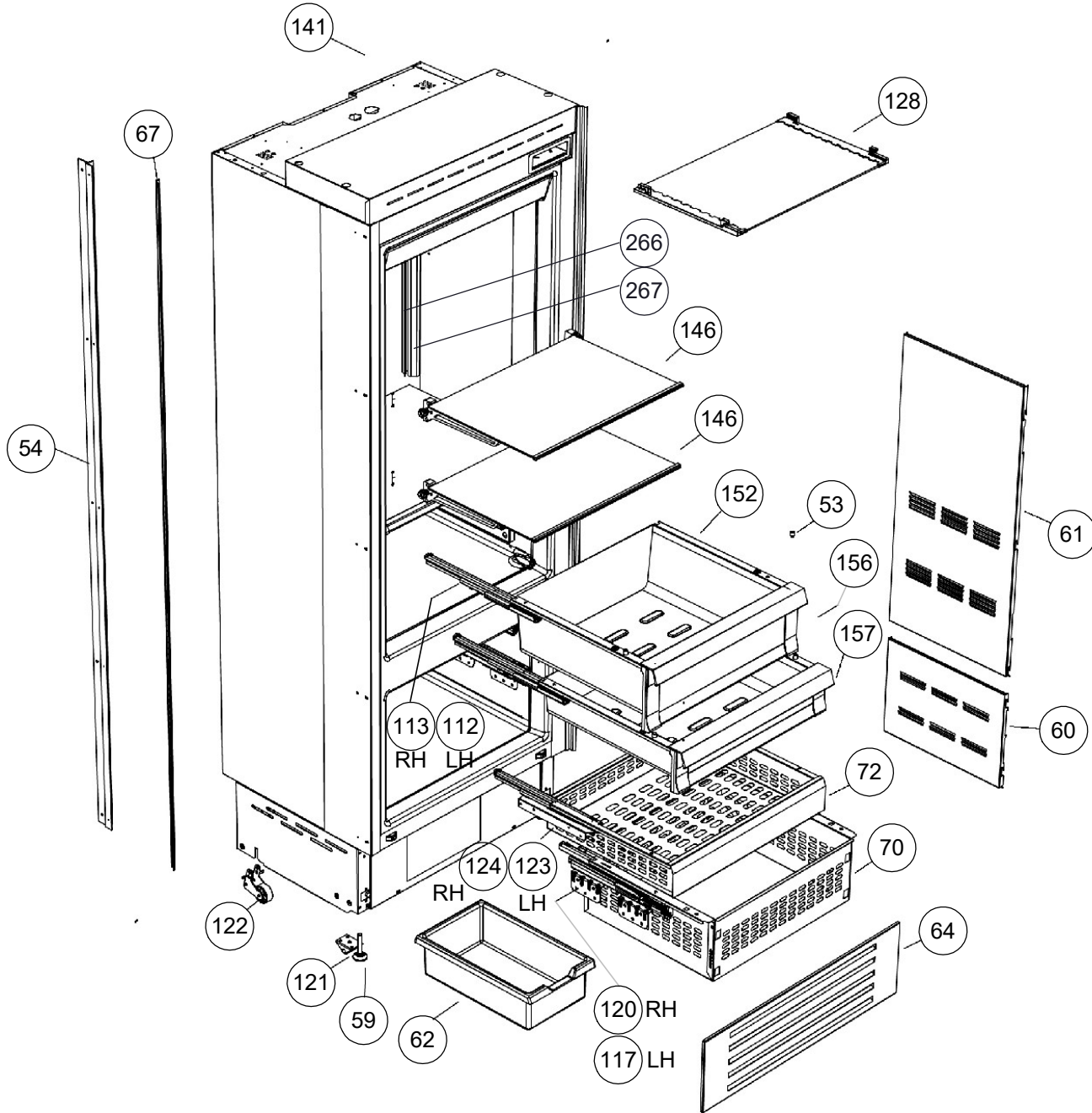
C

B

B

A

A



PROPRIETARY
 NO PART OF THIS DOCUMENT MAY BE REPRODUCED,
 STORED IN A RETRIEVAL SYSTEM, OR TRANSMITTED IN
 ANY FORM, WITHOUT THE WRITTEN PERMISSION OF
 Hestan Commercial Corporation. THIS DOCUMENT OR ANY
 COPIES SHALL BE RETURNED UPON WRITTEN REQUEST.

DESCRIPTION

**SERVICE, BOTTOM-MOUNT REFRIGERATOR,
 BOTTOM COMPRESSOR, (KRBx36-OV)**

DRAWING NO

KRB-OV-SERVICE

REVISION

J

SHEET NO.
3 OF 5

6

5

4

3

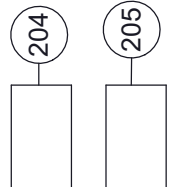
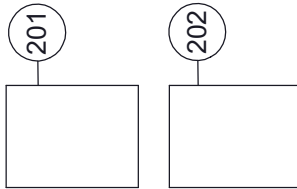
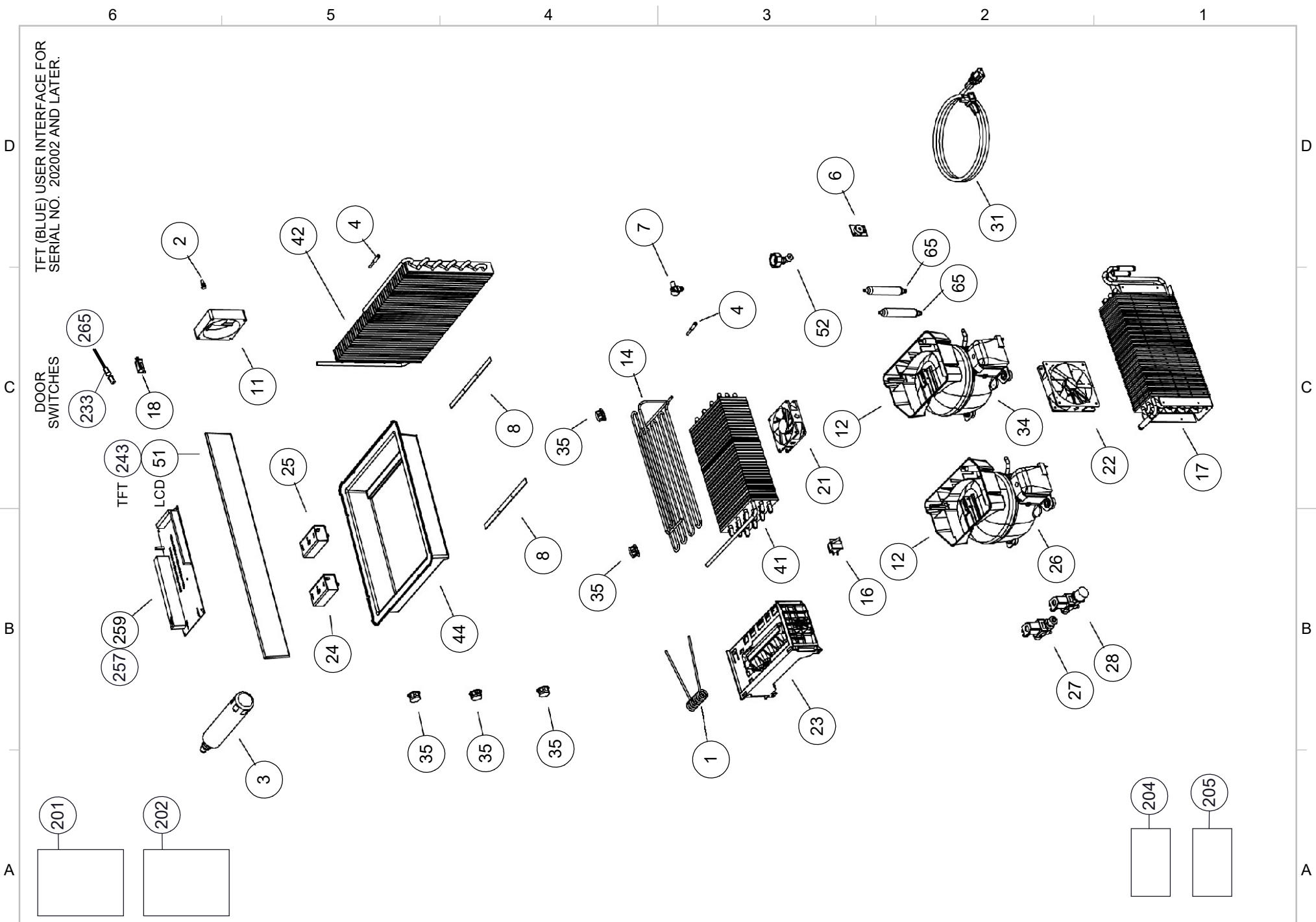
2

1

TFT (BLUE) USER INTERFACE FOR SERIAL NO. 202002 AND LATER.

DOOR SWITCHES

TFT 243
LCD 51



PROPRIETARY
NO PART OF THIS DOCUMENT MAY BE REPRODUCED, STORED IN A RETRIEVAL SYSTEM, OR TRANSMITTED IN ANY FORM, WITHOUT THE WRITTEN PERMISSION OF Hestan Commercial Corporation. THIS DOCUMENT OR ANY COPIES SHALL BE RETURNED UPON WRITTEN REQUEST.

DESCRIPTION
SERVICE, BOTTOM-MOUNT REFRIGERATOR, BOTTOM COMPRESSOR, (KRBx36-OV)

DRAWING NO
KRB-OV-SERVICE

REVISION
J
SHEET NO.
4 OF 5

REFRIGERATION PARTS LIST

KRB - REFRIGERATOR (BOTTOM COMPRESSOR)

Updated July 10, 2024

| BALLOON # | HESTAN P/N | DESCRIPTION | NOTES |
|-----------|------------|---|-----------------------------|
| 1 | 023565 | ICE MAKER HEATER 115V UL/CSA 4W | |
| 2 | 023566 | RUBBER PULL MOUNT FOR FANS FM3 | |
| 3 | 023567 | WATER FILTER AP2-C401-SG | |
| 4 | 023568 | NTC SENSOR 2K7 GTH WIRED | |
| 6 | 023570 | PCB BUZZER | |
| 7 | 023571 | SAFETY THERMOSTAT 60C NC UL/CSA CAB | |
| 8 | 023572 | 3 LED STRIP COLD WHITE 5500-6500K F | |
| 11 | 023575 | FRIDGE/FRESH FAN ZONE 3414NL UL/CSA | |
| 12 | 023576 | COMPRESSOR DRIP PAN, EM45/65HHR 115V/60HZ | |
| 14 | 023578 | FREEZER DEFROST HEATER 899U | |
| 16 | 023580 | DRAWER SWITCH I-E3101CA FUSI | |
| 17 | 023581 | CONDENSER IMAT | |
| 18 | 023582 | DOOR SWITCH, LEVER MICROSWITCH, TSTU/TWTU/FZU | All models before July 2019 |
| 21 | 023585 | FREEZER FAN 3412N/2LER FZ 12V EU/UJ | |
| 22 | 023586 | COND. FAN 4412FGL 12V CC WIRED | |
| 23 | 023587 | ICE MAKER NIDEC-SANKYO | |
| 24 | 023588 | POWER MODULE LED GPLC351201 | |
| 25 | 023589 | POWER MODULE 15 LED 350MA HS15P-42C UL | |
| 26 | 023590 | COMPRESSOR, VCC VEMY3H w/INVERTER 115V/60H | |
| 27 | 023591 | SAFETY WATER VALVE AMERICA RPE | |
| 28 | 023592 | FILL WATER VALVE, AMERICA RPE | |
| 31 | 023595 | POWER CORD 300CM SJT 3X16AWG PLUG USA | |
| 34 | 023598 | COMPRESSOR, VCC VEMY5H w/INVERTER 115V/60H | |
| 35 | 023599 | SPOT LED THOR CROMO 1,2W 350MA 5500 | |
| 39 | 023603 | POWER BOARD ASSY. 2 V STD 256K SELCO (0FR) | |
| 41 | 023605 | EVAPORATOR FZ 130V 899 USA | |
| 42 | 023606 | UPPER EVAP. ASSY., SERIES 0T/0H P60-65 | |
| 44 | 023608 | POWER BOARD COVER w/LED STRIPS | |
| 51 | 023615 | LCD CONTROL PANEL w/PCB, UPPER, 2 COMP. COMBI (KRB/KRP) | Serial Number before 202002 |
| 52 | 023616 | ICE MAKER WATER KIT UL | |
| 53 | 023866 | FREEZER BASKET SCREW | |
| 54 | 023867 | ANODIZED ALUMINUM JOINING STRIP, LH/RH | |
| 57 | 023870 | MAGNETIC GASKET, DOOR, 0T/1T 899 | |
| 58 | 023871 | MAGNETIC GASKET, DRAWER, 0T/1T 899 | |
| 59 | 023872 | ADJUSTABLE FOOT | |
| 60 | 023873 | AIR CONVEYOR, CENTRAL, 0T | |
| 61 | 023874 | AIR CONVEYOR, UPPER, 0T | |
| 62 | 023875 | ICE TRAY | |
| 64 | 023877 | VENTILATION GRILLE, LOWER, 899 | |
| 65 | 023878 | FILTER DRYER MS 2V 1 INTERDRYER | |
| 67 | 023880 | ALUMINUM JOINING STRIP, LH/RH | |
| 68 | 023881 | PROFILE CAP, LEFT | |
| 69 | 023882 | PROFILE CAP, RIGHT | |
| 70 | 023883 | FREEZER DRAWER, LARGE, 899 | |
| 72 | 023885 | FREEZER DRAWER, ICE, HESTAN, 899 | |
| 87 | 023900 | PILLAR, INNER DOOR, HESTAN, LH | |
| 88 | 023901 | PILLAR, INNER DOOR, HESTAN, RH | |
| 94 | 023907 | DOOR CLADDING, K 899 T, HESTAN, STAINLESS, LH | SPECIFY COLOR |
| 95 | 023908 | DOOR CLADDING, K 899 T, HESTAN, STAINLESS, RH | SPECIFY COLOR |
| 96 | 023909 | DRAWER CLADDING, K 899 T, HESTAN, STAINLESS | SPECIFY COLOR |

| BALLOON # | HESTAN P/N | DESCRIPTION | NOTES |
|-----------|------------|---|--------------------------------|
| 108 | 023921 | VENTILATION GRILLE, K 899, STAINLESS | |
| 109 | 023922 | LOWER HINGE, CFV, RH | |
| 110 | 023923 | LOWER HINGE, CFV, LH | |
| 111 | 023924 | DRAWER COMPLETE, 899, RH | |
| 112 | 023925 | SLIDING GUIDE, FRESCO DRAWER, LH | |
| 113 | 023926 | SLIDING GUIDE, FRESCO DRAWER, RH | |
| 115 | 023928 | DRAWER COMPLETE, 899, LH | |
| 117 | 023930 | SLIDING GUIDE, LARGE FREEZER DRAWER, LH | |
| 120 | 023933 | SLIDING GUIDE, LARGE FREEZER DRAWER, RH | |
| 121 | 023934 | FRONT WHEEL, COMPLETE | |
| 122 | 023935 | REAR WHEEL, COMPLETE | |
| 123 | 023936 | SLIDING GUIDE, SMALL FREEZER DRAWER, LH | |
| 124 | 023937 | SLIDING GUIDE, SMALL FREEZER DRAWER, RH | |
| 125 | 023938 | UPPER HINGE, CFV, RH | |
| 126 | 023939 | UPPER HINGE, CFV, LH | |
| 128 | 023941 | CEILING GLASS, 899 | |
| 141 | 023954 | INT TOP PIECE, 84 INCH, 899 | |
| 143 | 023956 | DOOR SHELF, HESTAN, 899 | |
| 146 | 023959 | GLASS SHELF, HESTAN, 899 | |
| 152 | 023965 | SEPARATOR GLASS SHELF, HESTAN, 899 | |
| 155 | 023968 | FRESCO DRAWER, SMALL, HESTAN, 899 | |
| 156 | 023969 | FRESCO DRAWER, LARGE, HESTAN, 899 | |
| 161 | 023974 | DOOR SHELF, 899 w/o HESTAN PROFILE | |
| 175 | 023988 | DOOR COMPLETE, 0T/1T K 899, HESTAN, STAINLESS, RH | SPECIFY COLOR |
| 176 | 023989 | DOOR COMPLETE, 0T/1T K 899, HESTAN, STAINLESS, LH | SPECIFY COLOR |
| 177 | 023990 | DRAWER COMPLETE, 0T/1T K, 899, LH, STAINLESS | SPECIFY COLOR |
| 178 | 023991 | DRAWER COMPLETE, 0T/1T K, 899, RH, STAINLESS | SPECIFY COLOR |
| 195 | 024008 | DOOR COMPLETE, 0T/1T INT 899, HESTAN, STAINLESS, RH | SPECIFY COLOR |
| 196 | 024009 | DOOR COMPLETE, 0T/1T INT 899, HESTAN, STAINLESS, LH | SPECIFY COLOR |
| 201 | 020055 | MANUAL, USE & CARE, REFRIGERATION | |
| 202 | 020056 | MANUAL, INSTALLATION, REFRIGERATION | |
| 204 | 034490 | KIT, ANTI-TIP BRACKETS, INDOOR REFRIGERATOR | |
| 205 | 034491 | KIT, OVERLAY DOOR HARDWARE, KRB | |
| 233 | 035827 | DOOR SWITCH, MAGNETIC REED, BR-1011 | All models after July 2019 |
| 241 | 035836 | USER INTERFACE, TFT, HESTAN, (ALL 24" EXCEPT KWC/KRW) | Serial Number 202002 and later |
| 242 | 035837 | USER INTERFACE, TFT, HESTAN, (ALL 30" EXCEPT KWC/KRW) | Serial Number 202002 and later |
| 243 | 035838 | USER INTERFACE, TFT, HESTAN, (ALL 36" EXCEPT KWC/KRW) | Serial Number 202002 and later |
| 248 | 020656 | ENDCAP, HANDLE, LH, INDOOR REFRIGERATOR | |
| 249 | 020657 | ENDCAP, HANDLE, RH, INDOOR REFRIGERATOR | |
| 250 | 020672 | HANDLE, INDOOR REFRIGERATOR, 40" | |
| 251 | 020673 | HANDLE, INDOOR REFRIGERATOR, 34" | |
| 257 | 035829 | MAIN POWER BOARD, 504 EVO 2V (KRB/KRP) | Serial Number 202002 and later |
| 259 | 023617 | POWER BOARD ASSY. 2 COMP. COMBI. 256k SELCO (KRB/KRP) | Serial Number before 202002 |
| 260 | 037139 | COVER, DOOR ADJUSTMENT SCREWS, GRAY | -OV MODELS ONLY |
| 264 | 046696 | UPPER RAIL, DOOR SHELF, KRP/KRB REFRIGERATOR | |
| 265 | 049013 | DOOR SWITCH, REED SERVICE SPACER, GRAY, FHIABA | Kit for Reed Switch Repair |
| 266 | 052183 | ASSEMBLY, SINGLE PILLAR, 0T1T, HESTAN, B03501000 | |
| 267 | 052182 | PILLAR COVER, HESTAN - VZUG, B02911600 | |
| 268 | 052181 | DOOR SPRING FOR CFV 2.5 HINGE, B03390801 | |



PROPRIETARY
 NO PART OF THIS DOCUMENT MAY BE REPRODUCED, STORED IN A RETRIEVAL SYSTEM, OR TRANSMITTED IN ANY FORM, WITHOUT THE WRITTEN PERMISSION OF Hestan Commercial Corporation. THIS DOCUMENT OR ANY COPIES SHALL BE RETURNED UPON WRITTEN REQUEST.

DESCRIPTION
SERVICE, BOTTOM-MOUNT REFRIGERATOR, BOTTOM COMPRESSOR, (KRBx36-OV)

DRAWING NO
KRB-OV-SERVICE

REVISION
J
 SHEET NO.
5 OF 5