

LG DISHWASHERS

LDPN6761T

Top Control Dishwasher with QuadWash™

QuadWash™ System
Dynamic Dry™
Height Adjustable 3rd Rack
Glide Rail
EasyRack™ Plus
LoDecibel™ Operation (44dB)
ThinQ® Technology
Energy Star® Qualified

Enjoy new ways to control your home with LG smart appliances

LG ThinQ®

- Get notifications when dishes are clean
- Monitor the cycle time from your smartphone
- Works with the LG ThinQ® app



CAPACITY

Total Place Settings	15
Upper Rack Dish Height Limit	7.1"
Lower Rack Dish Height Limit	12.5"

RACKS AND BASKETS

Cutlery Baskets	Yes
Cup Rack	Yes
Stemware Holder	Yes
Fold Down Tines	Yes (Half Fold on Upper & Lower)
BPA-Free Nylon Coated Racks and Tines	Yes
Rack Handle	Yes (Upper/Lower)
Glide Rail	Yes (Upper)
EasyRack™ Plus System	Yes
Height Adjustable Upper Rack	Yes (One Touch; 3 Level)
Height-Adjustable 3rd Rack	Yes

STYLE AND DESIGN

Control Panel Location	Top
Electronic Controls	Hidden SmoothTouch™ Controls with LED Display
SignalLight™ Cycle Indicator Lights	3
Time Remaining Indicator	Yes (LED)
Tub Material	NeveRust™ Stainless Steel
Handle	Flush
Color	Stainless Steel

FEATURES

QuadWash®	Yes
Inverter Direct Drive Motor	Yes
LoDecibel™ Quiet Operation	44 dB
Number of Wash Cycles	9 (Auto, Heavy, Delicate, Normal, Turbo, Download Cycle, Machine Clean, Rinse, Express)
Number of Options	8 (Dual Zone, Half Load, Energy Saver, High Temp, Extra Dry, Delay Start, Control Lock, Night Dry)
Number of Spray Arms	3 (Top, Upper, Lower)
SenseClean™ Wash System	Yes
Vario Wash	Yes
Detergent and Rinse-Aid Dispenser	Yes
Hybrid Condensing Drying System	Yes
End of Cycle Indicator	Yes (Beeper + END indication on display)
Hidden Water Heater	Yes
Safety Float Switch (Leaks)	Yes
Soil (Turbidity) Sensor	Yes

Tub Insulation (Damping Sheet, Sound Absorbing Material (felt), Base)	Yes
BPA-Free Nylon Coated Racks and Tines	Yes
Anti-Bacterial Treatment (Sump, Inner / Outer filter, Drain pump case, Drain hose)	Yes
Balanced Door	Yes
Multi-Level (5) Water Direction	Yes (Top Nozzle (Down), Upper Nozzle (Up/Down), Lower Nozzle (Up/Down))
3-Stage Filtration System	Yes

SMART FEATURES

wi-fi Enabled	Yes
ThinQ®	Yes
Voice Activation	Yes
Works with	Google Assistant and Amazon Alexa
Cycle Complete Notification	Yes
Monitor Cycle Time	Yes

POWER RATINGS

ENERGY STAR® Qualified	Yes
CEE Tier	1
Energy Use (kWh/Year)	258 kWh
Water Factor (WF)	2.8

DIMENSIONS / CLEARANCES / WEIGHT

Product Dimensions (in) (W x H x D)	23 3/4" x 33 5/8" x 24 5/8"
Product Weight (lbs)	83.8 lbs
Depth with Door Closed with Handle (in)	24 5/8"
Depth with Door Open (in)	50.5"
Carton Dimensions (in) (W x H x D)	28" x 34 3/4" x 29 5/8"
Shipping Weight with Carton (lbs)	97.1 lbs

LIMITED WARRANTY

Labor	1 Year
Parts	1 Year
Control Board and Rack Parts	5 Years
Direct Drive Motor	10 Years
Stainless Steel Door Liner or Tub	Lifetime

UPC CODES

LDPN6761T (Stainless Steel)	048231341936
-----------------------------	--------------

LG DISHWASHERS

LDPN6761T

Top Control Dishwasher with QuadWash™

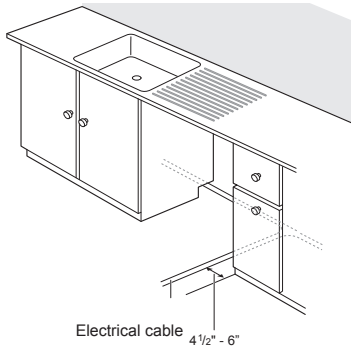
QUICK INSTALL & CLEARANCES

For full installation directions/clearances please refer to the corresponding User Manual and Installation Guide.

DIMENSIONS / CLEARANCES / WEIGHT	
Unit Dimensions (WxHxD)	23 3/4" x 33 5/8" x 24 5/8"
Depth with Door Closed (Handle)	27 1/8"
Depth with Door Open	50.5"
Carton Dimensions (WxHxD)	28" x 34 3/4" x 29 5/8"
Clearances (WxHxD)	24" x 33 1/2" x 24"
Weight (Unit / Carton)	77.2 lbs / 90.4 lbs
Container Stuffing Quantity	20 ft Normal : 42 unit 40 ft Normal : 96 unit 40 ft High Cubic : 140 unit
ENERGY / WATER	
Water Factor (WF)	2.8
Energy Use (kWh/Year)	258 kWh/Year
ENERGY STAR® Qualified	Yes
CEE Tier	1

PREPARING ELECTRICAL WIRING

- Operate this appliance with the correct voltage as shown in your User Manual and on the rating plate. Connect it to a dedicated, properly grounded branch circuit which is protected by a time delay fuse. Connect the appliance using 3-wires, including a ground wire.
- If an outlet and other power connector are used, it should be in an accessible location adjacent to and not behind the dishwasher and within 4 ft. of the dishwasher's side.
- The wiring must be grounded properly. If in doubt, have it checked by a qualified electrician. Do not connect any other appliance to the same outlet.
- Route the wiring.
- Make sure the electrical cable is oriented in the right side channel.

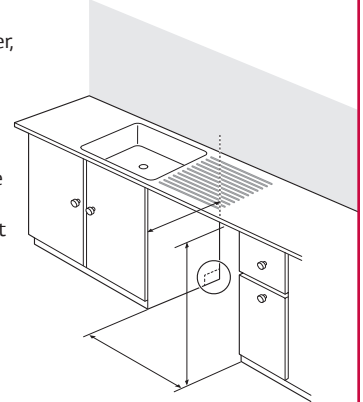


⚠ WARNING

- For personal safety, remove house fuse or open circuit breaker before installation.
- Do not use an extension cable or adapter with this dishwasher
- If you find any damage to the dishwasher, contact your retailer or contractor.

PREPARING CABINET OPENING

- This dishwasher is designed to fit a standard dishwasher opening. An opening may be needed on both sides to route plumbing and electrical connections.
- Select a location as close to the sink as possible for easy connections to water and drain lines.
- To ensure proper drainage, install the dishwasher no more than 12 ft. from the sink.
- If installing the dishwasher in a corner, leave a minimum of 2" between the dishwasher and the adjacent wall.
- To allow for proper clearance of plumbing and electrical, use the template included with the literature to determine the clearance on the side of the cabinet where the cabinet meets the back wall. Using a 2 1/2" diameter hole saw, drill a hole in the target area as shown on the template.



⚠ WARNING

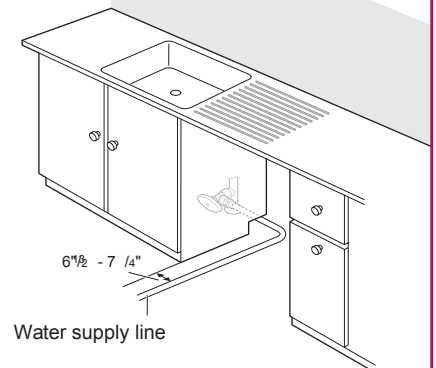
- Don't use existing holes unless they are in the target area. Otherwise, the water supply and drain hose may be damaged by being crushed or kinked.

⚠ CAUTION

- Failure to properly locate the hole for the water and drain lines may prevent the dishwasher from installing flush with the cabinets and could result in kinked or damaged lines. Installation damage is not covered by the warranty, and leaks caused by improper installation may result in property damage.

PREPARING WATER SUPPLY CONNECTION

- Make sure the house water supply is turned off before connecting the dishwasher water lines.
- Connect the dishwasher to a hot water supply with a temperature range between 120 °F (49 °C) and 149 °F (65 °C). This temperature range provides the best washing results and shortest cycle time. To prevent damage to dishes, the temperature should not exceed 149 °F (65 °C).
- When connecting the dishwasher water line, sealing tape or compound should be used on pipe threads to avoid leaks. Tape or compound should not be used on compression fittings.
- The water supply tube must be located in the left side channel.



NOTE

- Use new hoses when connecting to the water supply. Do not reuse old hoses.

