

## LG COOKING

# LRG3193

Freestanding Gas Range Oven w/  
EasyClean® Technology

### 5.4 cu.ft. Capacity

### EasyClean® Technology

### EvenJet™ Fan Convection

### Glass Controls

### 5 Cooktop Burners (1 Oval)

### Storage Drawer (0.8 cu.ft.)

### Griddle Plate Accessory



CAPACITY	
Oven Capacity (cu. ft.)	5.4
Storage Drawer Capacity (cu. ft.)	0.8
COOKTOP	
Burner/BTU - Left Rear	9100 / 9100
Burner/BTU - Right Rear	5000 / 5000
Burner/BTU - Left Front	12000 / 9500
Burner/BTU - Right Front	17000 / 10000
Center (Warming Zone) (BTU)	8000 (Oval-Burner) / 8000
Burner Simmer / BTU - Left Rear	1100
Burner Simmer / BTU - Right Rear	650
Burner Simmer / BTU - Left Front	1200
Burner Simmer / BTU - Right Front	1400
Center (Warming Zone)	2300
Cooktop Finish	Porcelain
OVEN FEATURES	
Broil Element (BTU)	15500 / 12500
Convection (BTU)	19000 / 18000 (LNG/LPG)
Convection System/Mode/Cooking System	EvenJet™ Fan
Oven Cooking Modes	Bake, Broil, Convection Bake
Oven Control Features	Glass Touch
Convection Conversion	Yes
EasyClean®	Yes
Self Clean	Yes
GoCook Smart Oven Light	1 Light
No. of Rack Positions	7
Door Lock	Yes
Automatic Safety Shut-Down	After 12 Hours
DRAWER FEATURES	
Type	Storage
CONTROL	
Cooktop Control Type	Front Control Knobs
Oven Control Type	Glass Touch
Display	LED Green
Language	English
Clock	12 hr or 24 hr (option)
Kitchen Timer	Yes
Timed Cook	Yes
Temperature Unit of Measure	Fahrenheit / Celsius
Cooking Complete Reminder Volume	1. Hi 2.Lo 3.Off

APPEARANCE	
All Available Colors	Black Stainless Steel / Stainless Steel / Smooth Black / Smooth White / Matte Black Stainless Steel
Knobs	Black Stainless Steel / Stainless Steel / Smooth Black / Smooth White / Matte Black Stainless Steel
Handle	Black Stainless Steel / Stainless Steel / Smooth Black / Smooth White / Matte Black Stainless Steel
PrintProof™ Finish	Yes
Oven Door Feature	WideView™
DIMENSIONS/CLEARANCES/WEIGHT	
Shipping Weight (lbs)	268
Product Weight (lbs)	227
Cabinet Width (in)	30"
Overall Depth (in) - including handle	28 3/4"
Overall Height (in)	47 7/16"
Overall Width (in)	30"
Oven Interior Dimensions (in) (W x H x D)	24 1/2" x 19 1/2" x 19 3/8"
Height to Cooking Surface (in)	36"
Drawer Dimensions (in) (W x H x D)	22 1/4" x 5" x 16 1/2"
Carton Dimensions (in) (W x H x D)	33 1/4" x 51 9/16" x 31 5/16"
POWER/RATINGS	
Amp Rating at 240V	4.5A (120VAC, 60Hz)
ACCESSORIES	
Griddle Plate	Yes
Standard Rack	2
Spray Bottle	Yes
Scouring Pad	Yes
Conversion Kit	Yes
LIMITED WARRANTY	
Parts & Labor	1 Year
UPC CODES	
LRG3193BM (Matte Black Stainless Steel)	048231339551
LRG3193BD (Black Stainless Steel)	048232337471
LRG3193ST (Stainless Steel)	048232337488
LRG3193SB (Smooth Black)	048232337501
LRG3193SW (Smooth White)	048232337495

## LG COOKING

# LRG3193

Freestanding Gas Range Oven w/  
EasyClean® Technology

## QUICK INSTALL & CLEARANCES

**For full installation directions/clearances please refer to the corresponding User Manual and Installation Guide.**

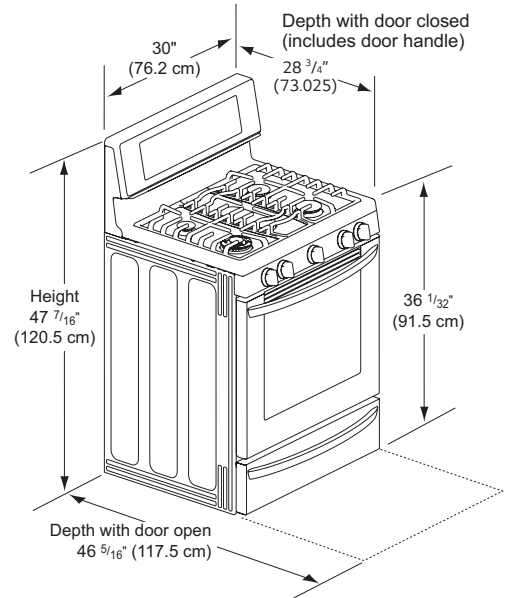
### DIMENSIONS/CLEARANCES/WEIGHT

Cabinet Width (in)	30"
Overall Depth (in) - including handle	28 3/4"
Overall Height (in)	47 7/16"
Overall Width (in)	30"
Oven Interior Dimensions (in) (W x H x D)	24 1/2" x 19 1/2" x 19 3/8"
Height to Cooking Surface (in)	36"
Drawer Dimensions (in) (W x H x D)	22 1/4" x 5" x 16 1/2"
Carton Dimensions (in) (W x H x D)	33 1/4" x 51 9/16" x 31 5/16"

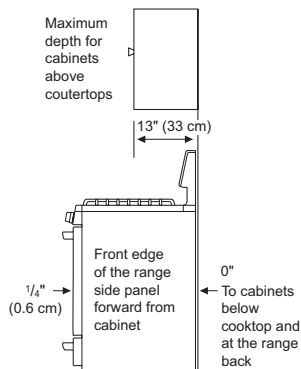
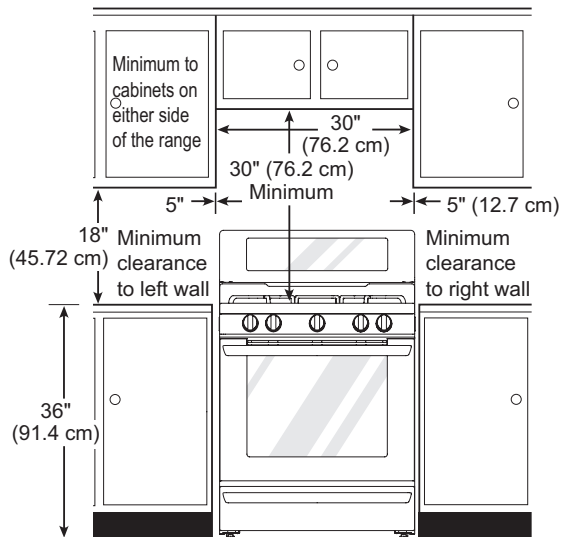
### POWER/RATINGS

Amp Rating at 240V	4.5A (120VAC, 60Hz)
--------------------	---------------------

### DIMENSIONS



### INSTALLATION CLEARANCES



### GAS PIPE AND ELECTRICAL LOCATIONS

