



## 27.6 cu. ft. InstaView® Door-in-Door® 4-Door French Door Refrigerator

- 27.6 cu. ft. Capacity
- InstaView® Door-in-Door®
- Double Freezer Drawers
- Dual Ice Maker with Craft Ice® Plus
- Door Cooling +
- LED Lighting
- LoDecibel® Quiet Operation
- LG ThinQ® Technology (Wi-Fi)



### COLOR AVAILABILITY

- LRMVS2806S – PrintProof® Stainless Steel
- LRMVS2806D – PrintProof® Black Stainless Steel

### CAPACITY

|                          |      |
|--------------------------|------|
| Refrigerator (cu. ft.)   | 18.4 |
| Freezer (cu. ft.)        | 9.2  |
| Total Capacity (cu. ft.) | 27.6 |

### ENERGY

|                                 |     |
|---------------------------------|-----|
| Energy Consumption (kWh / Year) | 760 |
| ENERGY STAR® Certified          | Yes |

### WATER & ICE SYSTEM

|                                 |                          |
|---------------------------------|--------------------------|
| Ice & Water Dispenser           | Yes                      |
| Dispenser Type                  | Integrated Ice & Water   |
| Measured Fill                   | No                       |
| Dual Ice Maker                  | Yes, with Craft Ice®     |
| Ice System                      | Slim SpacePlus®          |
| Daily Ice Production (lbs.)     | 3.5 lbs.                 |
| IcePlus® Production (lbs.)      | 3.8 lbs.                 |
| Craft Ice® Daily Ice Production | 3 or 6 round Craft Ice®  |
| Ice Storage Capacity (lbs.)     | 2.5 lbs. + 3.6 lbs.      |
| Dispenser Light                 | Yes                      |
| Water Filter                    | LT1000P (NSF-Certified*) |

### COOLING

|                       |                   |
|-----------------------|-------------------|
| Compressor Type       | Linear Compressor |
| Dual Evaporators      | No                |
| Multi-Air Flow System | Yes               |
| Door Cooling+         | Yes               |
| Temperature Sensors   | 6                 |
| Fresh Air Filter      | Yes               |

### CONVENIENCE

|                            |                        |
|----------------------------|------------------------|
| Display Type               | Membrane / White LED   |
| Temperature Controls       | Electronic / Digital   |
| Door Alarm                 | Yes                    |
| Child Lock                 | Yes                    |
| Auto Closing Door Hinge    | Yes                    |
| ADA Compliant              | No                     |
| Sabbath Mode               | Yes (Star-K-Certified) |
| LoDecibel® Quiet Operation | Yes                    |

### REFRIGERATOR

|                               |                                 |
|-------------------------------|---------------------------------|
| No. of Shelves                | 4 Split (3 Fixed + 1 Folding)   |
| Cantilevered Shelves          | Hybrid Cantilevered             |
| Shelf Construction            | Spill Protector™ Tempered Glass |
| Crisper Bins                  | 2 Humidity Crispers             |
| Glide N' Serve® Pantry Drawer | Yes, with Temperature Control   |
| Cool Guard                    | No                              |
| Refrigerator Light            | Ceiling LED                     |
| Full-Convert® Drawer          | No                              |

### REFRIGERATOR DOOR

|                                     |                                   |
|-------------------------------------|-----------------------------------|
| InstaView® Door-in-Door®            | Yes                               |
| Door-in-Door® with ColdSaver® Panel | Yes                               |
| No. of Door Bins                    | 7 Total (Including Door-in-Door®) |
| Door Bin Construction               | 1 Piece (Clear)                   |

### FREEZER

|                             |                                |
|-----------------------------|--------------------------------|
| Freezer Type                | Pull Drawer                    |
| Freezer Drawers             | 2-Tier Organization            |
| DuraBase® Solid Drawer Base | Yes                            |
| Drawer Divider              | Yes                            |
| Ice Storage                 | Ice Maker & Ice Bin in Freezer |
| Freezer Light               | LED Lighting                   |
| Freezer Handle              | Matching Handle                |

## SMART FEATURES

|                   |                                |
|-------------------|--------------------------------|
| Wi-Fi Enabled     | Yes                            |
| ThinQ® Technology | Yes                            |
| ThinQ Care        | Yes                            |
| Voice Control     | Google Assistant, Amazon Alexa |
| SmartDiagnosis™   | Yes                            |
| Remote Monitoring | Yes                            |

## MATERIALS AND FINISHES

|   |                  |
|---|------------------|
| Hidden Hinges                           | Yes              |
| Surface                                 | Smooth           |
| Fingerprint & Smudge Resistant Exterior | Yes              |
| Handles                                 | Matching Handles |

## ACCESSORIES

|                              |         |
|------------------------------|---------|
| Replacement Water Filter     | LT1000P |
| Replacement Fresh Air Filter | LT120F  |

## TECHNICAL SPECS

|                            |                      |
|----------------------------|----------------------|
| Required Power Supply      | 115 V, 60 Hz, 15 Amp |
| Plug Type                  | 3-Prong              |
| Power Cord Location        | Back                 |
| Min. / Max. Water Pressure | 20 – 120 psi         |

## DIMENSIONS / CLEARANCES / WEIGHTS

|                                      |                             |
|--------------------------------------|-----------------------------|
| Depth with Handles                   | 36 1/4"                     |
| Depth without Handles                | 33 3/4"                     |
| Depth without Door                   | 29 7/8"                     |
| Depth (Total with Door Open)         | 48 5/8"                     |
| Height to Top of Case                | 68 1/2"                     |
| Height to Top of Door Hinge          | 69 3/4"                     |
| Width                                | 35 3/4"                     |
| Width (Door Open 90° with Handle)    | 44 1/4"                     |
| Width (Door Open 90° without Handle) | 39 1/4"                     |
| Door Edge Clearance with Handle      | 4 1/2"                      |
| Door Edge Clearance without Handle   | 1 3/8"                      |
| Installation Clearance               | Sides 1/8", Top 1", Back 2" |
| Approx. Weight (Product / Carton)    | 313 lbs. / 337 lbs.         |
| Carton Dimensions (WxHxD)            | 38" x 73" x 39"             |

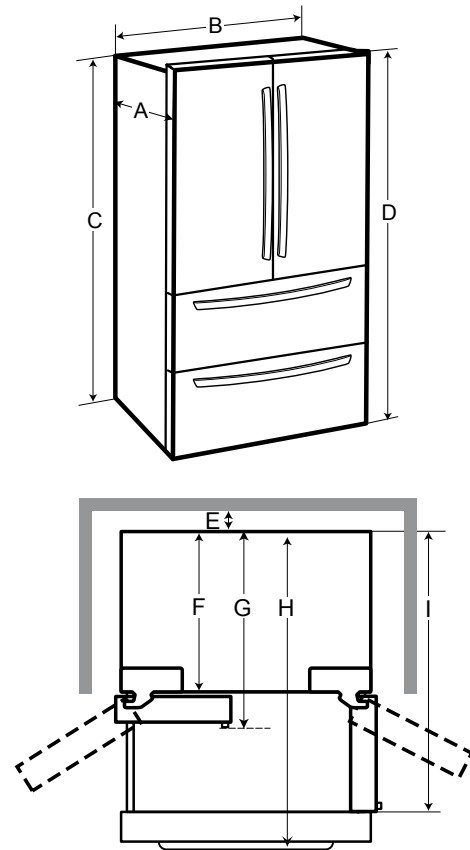
## LIMITED WARRANTY

|   |          |
|---|----------|
| Parts & Labor                             | 1 Year   |
| Sealed System (Parts & Labor)             | 5 Years  |
| Compressor (Parts & Labor)                | 5 Years  |
| Linear / Inverter Compressor (Parts Only) | 10 Years |



\*System tested and certified by NSF® International against NSF / ANSI Standard 42, Standard 53 and Standard 401.

## DIMENSIONS / CLEARANCES



## DIMENSIONS / CLEARANCES

|   |  |                   |
|---|--|-------------------|
| A | Depth without Handle                   | 33 3/4" (857 mm)  |
| B | Width                                  | 35 3/4" (908 mm)  |
| C | Height to Top of Case                  | 68 1/2" (1740 mm) |
| D | Height to Top of Hinge                 | 69 3/4" (1772 mm) |
| E | Back Clearance                         | 2" (50 mm)        |
| F | Depth without Door                     | 29 7/8" (759 mm)  |
| G | Depth with Handle                      | 36 1/4" (921 mm)  |
| H | Depth (Total with Freezer Drawer Open) | 57 5/8" (1461 mm) |
| I | Depth (Total with Door Open 90°)       | 48 5/8" (1234 mm) |

## INSTALLATION NOTES

- The installation location chosen for the refrigerator should allow space behind the unit for connections and airflow and space in front to open the doors and drawers.
- Too small of a distance from adjacent items may result in lowered freezing capability and increased electricity consumption charges. Allow at least 24 inches (610 mm) in front of the refrigerator to open the doors, and at least 2 inches (50.8 mm) between the back of the refrigerator and the wall.