


5.8 cu. ft. Single Door Refrigerator

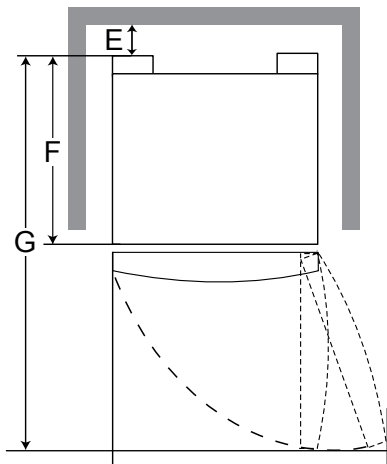
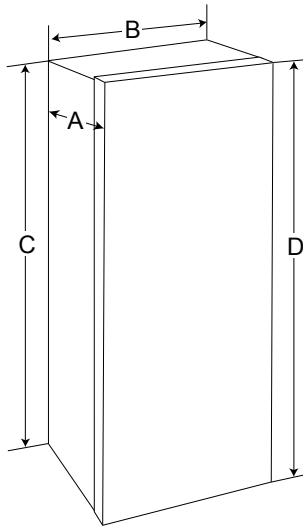
- 5.8 cu. ft. capacity
- Easy-Reach Organization
- Direct Cooling System
- Curved Pocket Handle
- LED Lighting



COLOR AVAILABILITY	
	LRONC0605V – Stainless Look
CAPACITY	
Refrigerator (cu. ft.)	4.87
Freezer (cu. ft.)	0.92
Total Capacity (cu. ft.)	5.79
ENERGY	
Energy Consumption (kWh/Year)	210
ENERGY STAR® Certified	Yes
WATER & ICE SYSTEM	
Ice & Water Dispenser	No
Ice System	Manual Ice Tray
COOLING	
Compressor Type	Inverter Compressor
Cooling System	Direct Cooling
Temperature Sensors	1 (thermostat)
CONVENIENCE	
Temperature Controls	Knob Dial
Door Alarm	No
Child Lock	No
Auto Closing Door Hinge	No
ADA Compliant	Yes
Sabbath Mode	No
REFRIGERATOR	
No. of Shelves	2
Shelf Construction	Tempered Glass
Crisper Bins	1
Refrigerator Light	LED
REFRIGERATOR DOOR	
No. of Door Bins	3 Total (2 Full Width, 1 Egg Basket)
Door Bin Construction	Plastic
FREEZER	
Ice Storage	Ice Tray

SMART FEATURES	
Wi-Fi Enabled	No
ThinQ® Technology	No
SmartDiagnosis™	No
MATERIALS AND FINISHES	
Hidden Hinges	Yes
Surface	Smooth
Fingerprint & Smudge Resistant Exterior	No
Handles	Pocket Handles
TECHNICAL SPECS	
Required Power Supply	115 V, 60 Hz, 10 Amp
Plug Type	3-Prong
Power Cord Location	Back
DIMENSIONS / CLEARANCES / WEIGHTS	
Depth with Handles	21 7/8"
Depth without Handles	21 7/8"
Depth without Door	18 5/8"
Depth (Total with Door Open)	39 5/8"
Height to Top of Case	44 5/8"
Height to Top of Door Hinge	44 5/8"
Width	20 5/8"
Width (Door Open 90°)	22 1/2"
Width (Door Fully Open)	34 7/8"
Door Edge Clearance	1 7/8"
Installation Clearance	Sides 2", Top 2", Back 2"
Approx. Weight (Product / Carton)	68.3 lbs. / 75.0 lbs.
Carton Dimensions (WxHxD)	22 1/2" x 46 5/8" x 23 1/4"
LIMITED WARRANTY	
Parts & Labor	1 Year
Sealed System (Parts & Labor)	5 Years
Compressor (Parts & Labor)	5 Years
Inverter Compressor (Parts Only)	10 Years

DIMENSIONS / CLEARANCES



DIMENSIONS / CLEARANCES

A	Depth without Handle	21 7/8" (555.6 mm)
B	Width	20 5/8" (523.9 mm)
C	Height to Top of Case	44 5/8" (1133.5 mm)
D	Height to Top of Hinge	44 5/8" (1133.5 mm)
E	Back Clearance	2" (50 mm)
F	Depth without Door	18 5/8" (473.1 mm)
G	Depth (Total with Door Open 90°)	39 5/8" (1006.5 mm)

INSTALLATION NOTES

- The installation location chosen for the refrigerator should allow space behind the unit for connections and airflow and space in front to open the door.
- Too small of a distance from adjacent items may result in lowered freezing capability and increased electricity consumption charges. Allow at least 2 inches (51 mm) between the back of the refrigerator and the wall.