


6.89 cu. ft. Single Door Refrigerator

- 6.9 cu. ft. Capacity
- Easy-Reach Organization
- Fresh Produce Bin
- Semi Auto Defrost
- Contemporary Design



COLOR AVAILABILITY

 LRONC0705A – Glory Flag

CAPACITY

Refrigerator (cu. ft.)	5.97
Freezer (cu. ft.)	0.92
Total Capacity (cu. ft.)	6.89

ENERGY

Energy Consumption (kWh/Year)	220
ENERGY STAR® Certified	Yes

WATER & ICE SYSTEM

Ice & Water Dispenser	No
Ice System	Manual Ice Tray

COOLING

Compressor Type	Inverter Compressor
Cooling System	Direct Cooling
Temperature Sensors	1

CONVENIENCE

Temperature Controls	Knob Dial
Door Alarm	No
Child Lock	No
Auto Closing Door Hinge	No
ADA Compliant	Yes
Sabbath Mode	No

REFRIGERATOR

No. of Shelves	3
Shelf Construction	Tempered Glass
Crisper Bins	1
Refrigerator Light	LED

REFRIGERATOR DOOR

No. of Door Bins	3 Total (2 Full Width, 1 Egg Basket)
Door Bin Construction	Clear Plastic

FREEZER

Ice Storage	Ice Tray
-------------	----------

SMART FEATURES

Wi-Fi Enabled	No
ThinQ® Technology	No
SmartDiagnosis™	No

MATERIALS AND FINISHES

Hidden Hinges	Yes
Surface	Smooth
Fingerprint & Smudge Resistant Exterior	No
Handles	Pocket Handles

TECHNICAL SPECS

Required Power Supply	115 V, 60 Hz, 10 Amp
Plug Type	3-Prong
Power Cord Location	Back

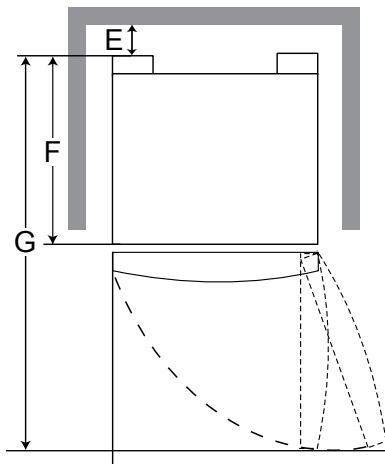
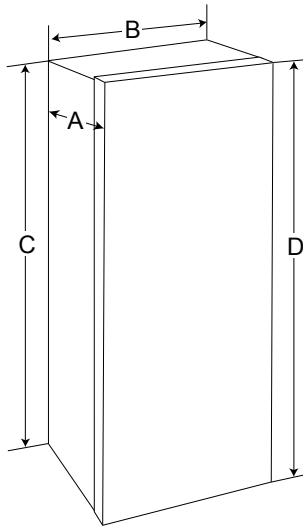
DIMENSIONS / CLEARANCES / WEIGHTS

Depth with Handles	21 7/8"
Depth without Handles	21 7/8"
Depth without Door	18 5/8"
Depth (Total with Door Open)	39 5/8"
Height to Top of Case	50 7/8"
Height to Top of Door Hinge	51"
Width	22 1/2"
Width (Door Open 90°)	34 1/2"
Width (Door Fully Open)	34 7/8"
Door Edge Clearance	2 5/8"
Installation Clearance	Sides 2", Top 2", Back 2"
Approx. Weight (Product / Carton)	75 lbs. / 81.6 lbs.
Carton Dimensions (WxHxD)	22 1/2" x 52 1/2" x 23 1/4"

LIMITED WARRANTY

Parts & Labor	1 year
Sealed System (Parts & Labor)	5 Years
Compressor (Parts & Labor)	5 Years
Inverter Compressor (Parts Only)	10 Years

DIMENSIONS / CLEARANCES



DIMENSIONS / CLEARANCES

A	Depth without Handle	21 ⁷ / ₈ " (555 mm)
B	Width	20 ⁵ / ₈ " (525 mm)
C	Height to Top of Case	50 ⁷ / ₈ " (1292 mm)
D	Height to Top of Hinge	51" (1295 mm)
E	Back Clearance	2" (50 mm)
F	Depth without Door	18 ⁵ / ₈ " (473 mm)
G	Depth (Total with Door Open 90°)	39 ⁵ / ₈ " (1008 mm)

INSTALLATION NOTES

- The installation location chosen for the refrigerator should allow space behind the unit for connections and airflow and space in front to open the door.
- Too small of a distance from adjacent items may result in lowered freezing capability and increased electricity consumption charges. Allow at least 2 inches (51 mm) between the back of the refrigerator and the wall.