

M 2241 SC

Built-in microwave oven, 24" width
with sensor controls on the side for convenient operation.



- 7-segment display with sensor controls – EasySensor
- Perfect defrosting and cooking – Automatic Programs
- Food remains at serving temperature – keep warm function
- Compact 0.92 cu. ft. oven capacity
- Popcorn and drinks at the touch of a button

EAN: 4002516540335 / Material number: 11845640 /
Old Material Number: 24224120USA

General information	
Model number	M 2241 SC
Manufacturer material number	11845640
EAN number	4002516540335
Class	Silver
Construction type and design	
Color	Obsidian black
Neutral design	•
SideControl	•
Construction type and design	
Built-in microwave oven	•
Convenience features	
Keep-warm function	•
Operating modes	
Microwave	•
Automatic programs	•
User convenience	
Display	EasySensor
Popcorn function	•
Drinks functions	•
Time of day display	•
Minute minder	•
Programmable cooking time	•
Minute Plus button	•
Individual settings	•
Efficiency and sustainability	
Night dimming	•
Cleaning convenience	
Stainless-steel oven cavity	•
Safety	
System lock	•
Safety switch	•
Child lock "Door" in display	•
Technical data	
Cavity volume in cu.ft (l)	0.92 (26)
Door hinge side	Left
Oven interior lighting	1 LED spot
Turntable diameter in in. (cm)	12 7/8 (32.5)
Cavity height in in. (cm)	8 1/4 (20.7)
Electronically controlled microwave power	•
Microwave power levels	1-7
Maximum microwave output in W	900
Niche width min. in inches (mm)	22 1/4 (562)
Niche width max. in inches (mm)	22 3/8 (568)
Niche-independent venting	•
Niche height min. in inches (mm)	17 3/4 (450)
Niche height max. in inches (mm)	17 7/8 (452)
Niche depth in in. (mm)	500

M 2241 SC

Built-in microwave oven, 24" width
with sensor controls on the side for convenient operation.

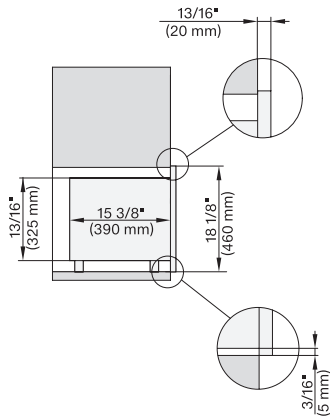


EAN: 4002516540335 / Material number: 11845640 /
Old Material Number: 24224120USA

Appliance dimensions (W x H x D) in inches (mm)	23 1/2 (595) x 17 7/8 (452) x 15 7/8 (401)
Appliance width in in. (mm)	23 1/2 (595)
Appliance height in in. (mm)	17 7/8 (452)
Appliance depth in in. (mm)	15 7/8 (401)
Weight in lbs. (kg)	40 (18.0)
Total connected load in kW	1.4
Length of power cord in in. (m)	1.60
Power Rating in V	120
Frequency in Hz	60
Fuse rating in A	10
Number of phases	1
Neutral conductor	Yes
Standard accessories	
Turntable	1

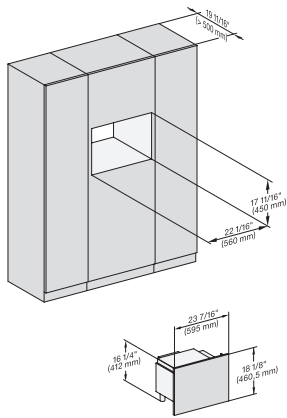
M 2241 SC

Built-in microwave oven, 24" width with sensor controls on the side for convenient operation.

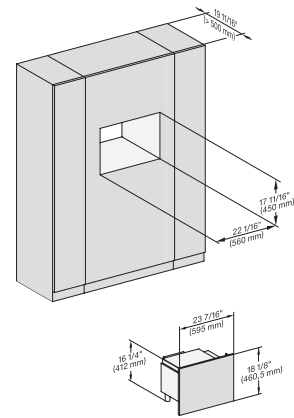


M2241SC, Seitenansicht, 30 Zoll, Proud, Oberschrank – Skizze – NA

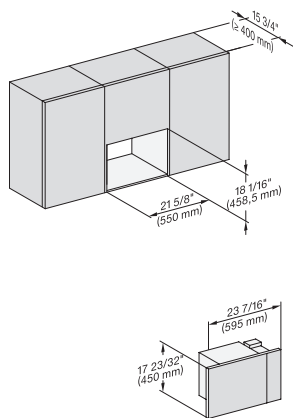
7/8" – 22* mm – Glass, 15/16" – 23.3** mm – Stainless steel



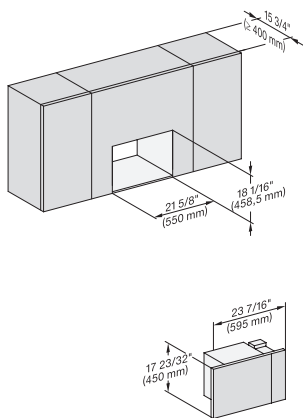
M2241SC, Einbau, 30 Zoll, Proud – Skizze – NA



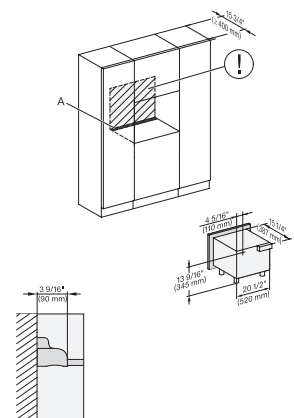
M2241SC, Einbau, 30 Zoll, Proud, breite Front – Skizze – NA



M2241SC, Einbau, 30 Zoll, Proud, Oberschrank – Skizze – NA



M2241SC, Einbau, 30 Zoll, Proud, breite Front, Oberschrank – Skizze – NA

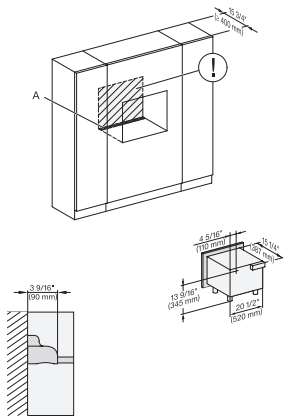


M2241SC, Installation, 30 Zoll, Proud – Skizze – NA

A – Cut-out (4" x 28" / 100 mm x 720 mm) in the bottom of the cabinet for power cord and ventilation, ,
 ! – Electrical and water supplies are recommended to be placed in adjacent cabinetry, Additional cabinet depth is required when placing the electrical and water supplies behind the appliance, , E = Electric connection

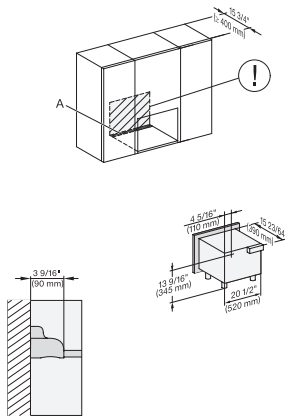
M 2241 SC

Built-in microwave oven, 24" width with sensor controls on the side for convenient operation.



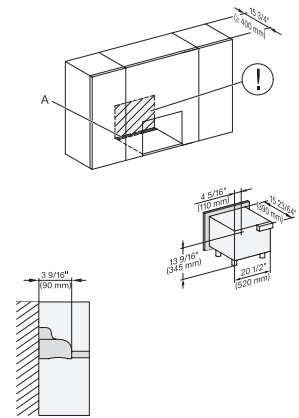
M2241SC, Installation, 30 Zoll, Proud, breite Front – Skizze – NA

A – Cut-out (4" x 28" / 100 mm x 720 mm) in the bottom of the cabinet for power cord and ventilation, ! – Electrical and water supplies are recommended to be placed in adjacent cabinetry, Additional cabinet depth is required when placing the electrical and water supplies behind the appliance., E = Electric connection



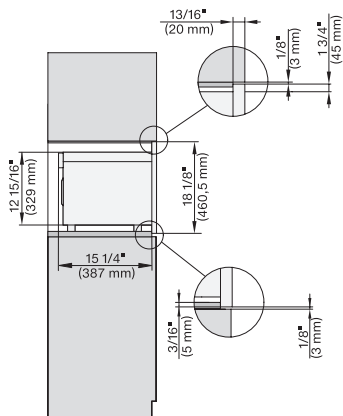
M2241SC, Installation, 30 Zoll, Proud, Oberschrank – Skizze – NA

A – Cut-out (4" x 28" / 100 mm x 720 mm) in the bottom of the cabinet for power cord and ventilation, ! – Electrical and water supplies are recommended to be placed in adjacent cabinetry, Additional cabinet depth is required when placing the electrical and water supplies behind the appliance., E = Electric connection



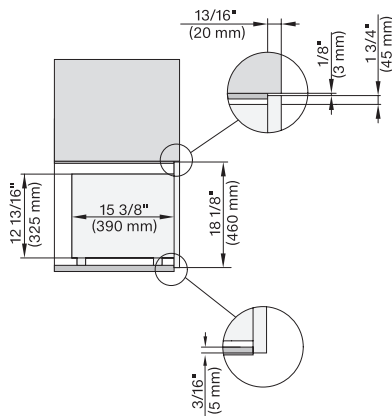
M2241SC, Installation, 30 Zoll, Proud, breite Front, Oberschrank – Skizze – NA

A – Cut-out (4" x 28" / 100 mm x 720 mm) in the bottom of the cabinet for power cord and ventilation, ! – Electrical and water supplies are recommended to be placed in adjacent cabinetry, Additional cabinet depth is required when placing the electrical and water supplies behind the appliance., E = Electric connection



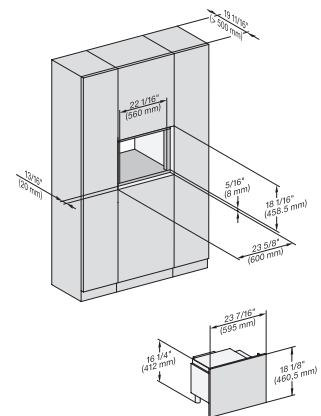
M2241SC, Seitenansicht, 30 Zoll, Flush, inset – Skizze – NA

7/8" – 22* mm – Glass, 15/16" – 23.3** mm – Stainless steel



M2241SC, Seitenansicht, 30 Zoll, Flush, inset, Oberschrank – Skizze – NA

7/8" – 22* mm – Glass, 15/16" – 23.3** mm – Stainless steel

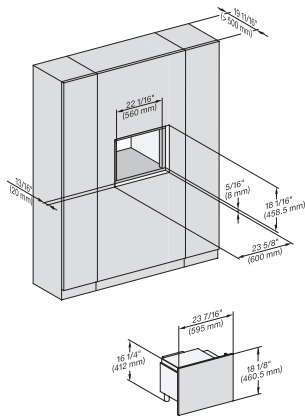


M2241SC, Einbau, 30 Zoll, Flush, inset – Skizze – NA

7/8" – 22* mm – Glass, 15/16" – 23.3** mm – Stainless steel

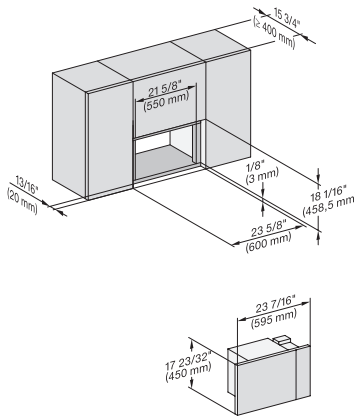
M 2241 SC

Built-in microwave oven, 24" width
with sensor controls on the side for convenient operation.

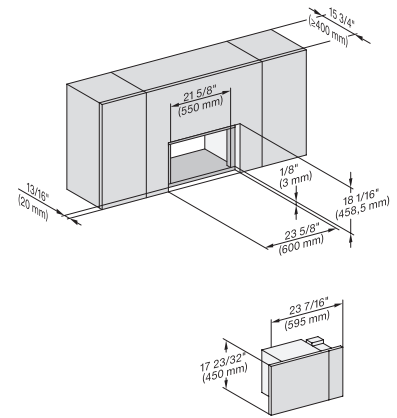


M2241SC, Einbau, 30 Zoll, Flush, inset, breite Front – Skizze – NA

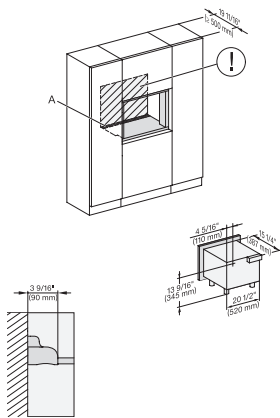
7/8" – 22* mm – Glass, 15/16" – 23.3** mm – Stainless steel



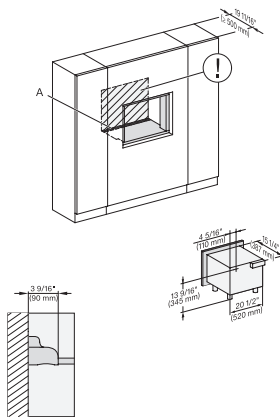
M2241SC, Einbau, 30 Zoll, Flush, inset, Oberschrank – Skizze – NA



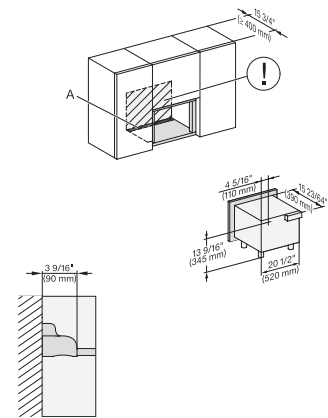
M2241SC, Einbau, 30 Zoll, Flush, inset, breite Front, Oberschrank – Skizze – NA



M2241SC, Installation, 30 Zoll, Flush, inset – Skizze – NA
A – Cut-out (4" x 28" / 100 mm x 720 mm) in the bottom of the cabinet for power cord and ventilation, ! – Electrical and water supplies are recommended to be placed in adjacent cabinetry, Additional cabinet depth is required when placing the electrical and water supplies behind the appliance., , E = Electric connection



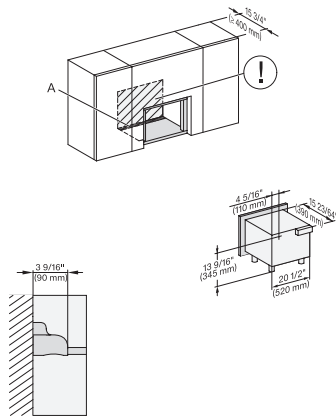
M2241SC, Installation, 30 Zoll, Flush, inset, breite Front – Skizze – NA
A – Cut-out (4" x 28" / 100 mm x 720 mm) in the bottom of the cabinet for power cord and ventilation, ! – Electrical and water supplies are recommended to be placed in adjacent cabinetry, Additional cabinet depth is required when placing the electrical and water supplies behind the appliance., , E = Electric connection



M2241SC, Installation, 30 Zoll, Flush, inset, Oberschrank – Skizze – NA
A – Cut-out (4" x 28" / 100 mm x 720 mm) in the bottom of the cabinet for power cord and ventilation, ! – Electrical and water supplies are recommended to be placed in adjacent cabinetry, Additional cabinet depth is required when placing the electrical and water supplies behind the appliance., , E = Electric connection

M 2241 SC

Built-in microwave oven, 24" width
with sensor controls on the side for convenient operation.



M2241SC, Installation, 30 Zoll, Flush, inset, breite Front,
Oberschrank – Skizze – NA

A – Cut-out (4" x 28" / 100 mm x 720 mm) in the bottom
of the cabinet for power cord and ventilation, ! – Electrical
and water supplies are recommended to be placed in
adjacent cabinetry, Additional cabinet depth is required
when placing the electrical and water supplies behind the
appliance., , E = Electric connection