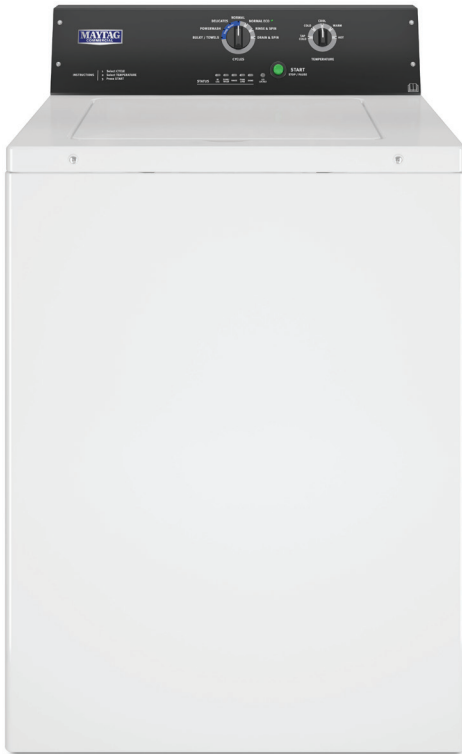


SINGLE-LOAD TOP-LOAD WASHERS

MAT23MNAGW/KW, MAT24PDAGW



NON-VEND
MAT23MNAGW pictured



COIN DROP EQUIPPED
MAT24PDAGW pictured



DEEP-WATER WASH SYSTEM

- A traditional top-load wash experience with deep-water wash and rinse cycle options for vigorous cleaning action
- Spin Fill ensures each load is soaked before wash cycle begins
- Large lid opening provides users unhindered access while loading and unloading



TRADITIONAL FLEX-VANE AGITATOR

- Powered by a 1/2 hp PSC motor and fin design to provide exceptional rollover performance
- Features four distinct wash patterns — from aggressive to gentle
- Generates outstanding clothes movement and extensive deep-cleaning action to tackle a variety of loads



CONTROLS TO MEET YOUR NEEDS

- Feature a simple user interface with robust, easy-to-use knobs
- USB port enables the import and export of cycle settings, audit data, and software updates
- Status indicator lights keep users informed
- Add items to wash during fill, wash, or rinse



BUILT TO LAST

- Watertight, flexible, triple-lip seal — helps keep moisture safely away from the shaft and protects the bearings
- Front-panel accessibility — provides fast entry to the motor, transmission, and wash tub for streamlined self-service
- Porcelain enamel top and lid — a durable finish that stands up to the demands of high traffic
- Full-wrap console — designed to help protect the internal components

SINGLE-LOAD TOP-LOAD WASHER MODELS		
PAYMENT CONFIGURATION	MODEL NUMBER	VOLTAGE/FREQ
Coin Drop Equipped	MAT24PDAGW	220-240V/50Hz
Non-Vend	MAT23MNAGW	220-240V/50Hz
Non-Vend	MAT23MNAKW	220-240V/60Hz



See maytagcommerciallaundry.com for warranty details.



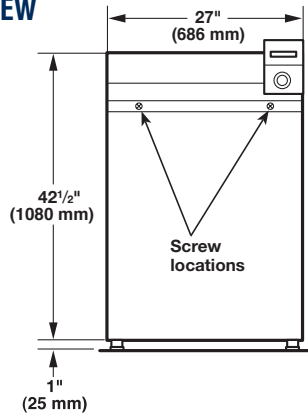
VISIT MAYTAGCOMMERCIALLAUNDRY.COM FOR MORE INFORMATION.

SINGLE-LOAD TOP-LOAD WASHERS

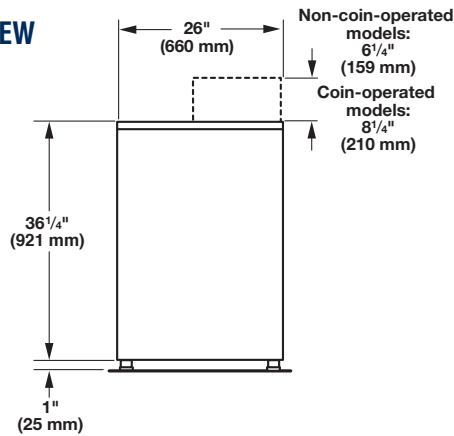
MAT23MNAGW/KW, MAT24PDAGW



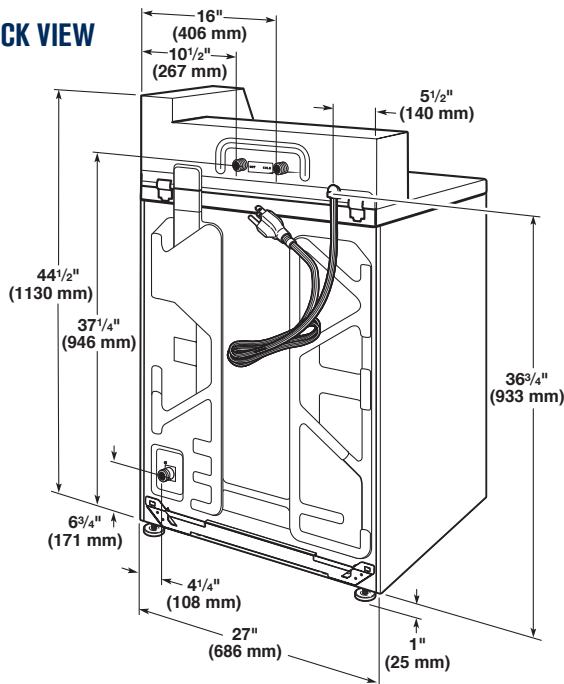
FRONT VIEW



SIDE VIEW



BACK VIEW



MODELS	MAT23MNAGW International	MAT23MNAKW (220-240 60Hz)	MAT24PDAGW International
PAYMENT CONFIGURATION	Non-Vend		Coin Drop Ready
CAPACITY			
Cylinder Volume — cu. ft. (liters)	3.27 (92.6)	3.27 (92.6)	3.27 (92.6)
IEC Capacity — lb. (kg)	23.2 (10.5)	23.2 (10.5)	23.2 (10.5)
DIMENSIONS			
Depth — in. (mm)	26 (660)	26 (660)	26 (660)
Width — in. (mm)	27 (686)	27 (686)	27 (686)
Height — in. (mm)	42.5 (1,080)	42.5 (1,080)	44.5 (1,130)
Lid Opening — in. (mm)	17 (432)	17 (432)	17 (432)
CRATED DIMENSIONS			
Crated Width — in. (mm)	29 (737)	29 (737)	29 (737)
Crated Depth — in. (mm)	27.5 (699)	27.5 (699)	27.5 (699)
Crated Height — in. (mm)	49 (1,255)	49 (1,255)	49 (1,255)
APPROXIMATE WEIGHT			
Uncrated — lb. (kg)	145 (65.8)	145 (65.8)	159 (72.1)
Crated — lb. (kg)	163 (73.9)	163 (73.9)	177 (80.3)
ELECTRICAL REQUIREMENTS			
Voltage	220–240V	220–240V	220–240V
Frequency	50Hz	60Hz	50Hz
Breaker/Fuse — Amps	10	10	10
WATER INLET HOSE/DRAIN HOSE			
Operating Pressure — psi (Bar)	20–100 (1–8)	20–100 (1–8)	20–100 (1–8)
Inlet Hose Length — ft. (m)	6 (1.8)	6 (1.8)	6 (1.8)
Drain Hose Length — ft. (m)	4 (1.3)	4 (1.3)	4 (1.3)
APPROXIMATE WATER USAGE			
Average Total Water Usage Per Cycle — gallons (liters)	23.95 (90.66)*	23.95 (90.66)*	18.26 (69.1)
Average Hot Water Usage Warm Water Cycle — gallons (liters)	1.13 (4.2)	1.13 (4.2)	0.95 (3.5)
Average Hot Water Usage Hot Water Cycle — gallons (liters)	6.62 (25.06)	6.62 (25.06)	6.33 (23.9)
Extract Speed — Max G-Force/Max	144/700	144/700	144/700
Motor Size — hp (kW)	.5 (.37)	.5 (.37)	.5 (.37)



*Based on 2018 United States DOE J2 Testing with factory preset cycles. Dimensions are for planning purposes only. See specific instructions for proper installation. Because of continuous product improvement, Maytag reserves the right to change specifications without notice.

VISIT MAYTAGCOMMERCIALLAUNDRY.COM FOR MORE INFORMATION.

®/™ © 2024 Maytag. All rights reserved.
MY240383 10/24